



Weblink
120

Project page
330

Private residence at Løvenborg, Copenhagen, Denmark. Photo: Jacob Termansen

Design
Poul Henningsen

Concept
PH 3/2 Pendant (1926) provides a soft general illumination. PH 3/2 is based on the principle of a reflecting multi-shade system, creating a harmonious and glare free illumination. The shades are drawn over a logarithmic spiral, with the center of the light source placed in the spiral's focal point.

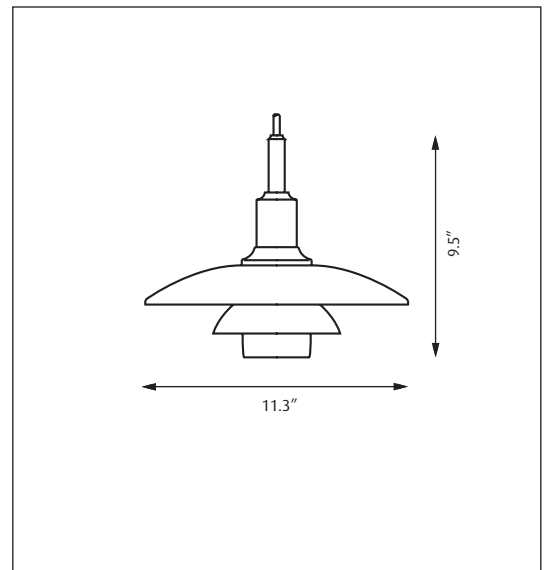
Finish
White opal glass. High lustre chrome plated.

Material
Shades: Handblown white opal glass. Suspension: High lustre chrome plated, spun brass.

Mounting
Canopy: White. Cord type: 3-conductor, 18 AWG black PVC power cord. Cord length: 12'.

Weight
Max. 4 lbs.

Label
cUL, Dry location. IBEW.

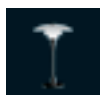


Product code	Light source	Voltage	Finish
PH3/2-P	1/75W/A-19/IF medium	120V	GLASS

Info notes:
I. All handblown opal glass shades are sandblasted on the undersides for uniform light distribution.
II. The comparable EU version has the following classification: Ingress Protection Code: IP20.



118



116