

SAFETY WARNINGS

1. FOLLOW THE INFORMATION ON THE WARNINGS APPEARING ON THE UPPER BUNK END STRUCTURE AND ON THE CARTON. DO NOT REMOVE WARNING LABEL FROM BED.
2. ALWAYS USE THE RECOMMENDED SIZE MATTRESS OR MATTRESS SUPPORT, OR BOTH, TO HELP PREVENT THE LIKELIHOOD OF ENTRAPMENT OR FALLS.
3. SURFACE OF MATTRESS MUST BE AT LEAST 5 INCHES BELLOW THE UPPER EDGE OF GUARDRAILS.
4. DO NOT ALLOW CHILDREN UNDER 6 YEARS OF AGE TO USE THE UPPER BUNK.
5. PERIODICALLY CHECK AND ENSURE THAT THE GUARD RAIL, LADDER, AND OTHER COMPONENTS ARE IN THEIR PROPER POSITION, FREE FROM DAMAGE, AND **THAT ALL CONNECTORS ARE TIGHT.**
6. DO NOT ALLOW HORSEPLAY ON OR UNDER THE BED AND PROHIBIT JUMPING ON THE BED.
7. ALWAYS USE THE LADDER FOR ENTERING OR LEAVING THE UPPER BUNK.
8. DO NOT USE SUBSTITUTE PARTS. CONTACT MANUFACTURER OR DEALER FOR REPLACEMENT PARTS.
9. USE OF A NIGHT LIGHT MAY PROVIDE ADDED SAFETY PRECAUTION FOR A CHILD USING THE UPPER BUNK.
10. ALWAYS USE GUARD RAILS ON BOTH LONG SIDES OF THE UPPER BUNK.
11. IF THE BUNK BED WILL BE PLACED NEXT TO A WALL, THE GUARD RAIL THAT RUNS THE FULL LENGTH OF THE BED SHOULD BE PLACED AGAINST THE WALL TO PREVENT ENTRAPMENT BETWEEN THE BED AND THE WALL.
12. PROHIBIT MORE THAN ONE PERSON ON THE UPPER BUNK.
13. THE USE OF WATER OR SLEEP FLOTATION MATTRESSES IS PROHIBITED.
14. KEEP THESE INSTRUCTIONS FOR FUTURE REFERENCE.

SIZE OF MATTRESS

THIS BED IS DESIGNED TO USE A MATTRESS (74" TO 75") LONG, AND (37-1/2" TO 38-1/2") IN WIDTH AND THE ENCLOSED SLAT KIT SYSTEM. THE TOTAL THICKNESS OF MATTRESS AND FOUNDATION MUST NOT EXCEED 8 1/2".
NOTE: THERE MUST BE AT LEAST 5" FROM MATTRESS SLEEPING SURFACE TO TOP EDGE OF GUARDRAIL.

STRANGULATION HAZARD – NEVER ATTACH OR HANG ITEMS TO ANY PART OF THE BUNK BED THAT ARE NOT DESIGNED FOR USE WITH THE BED: FOR EXAMPLE, BUT NOT LIMITED TO HOOKS, BELTS AND JUMP ROPES.

REPLACEMENT PARTS

REPLACEMENT PARTS, INCLUDING ADDITIONAL GUARDRAILS, MAY BE OBTAINED FROM ANY OF OUR ECO-FLEX DEALERS.



FURNITURE FOR A HEALTHIER HOME

Bio Móvel Certifies That Your Product is....

Environmentally Sustainable -Manufactured from 100% reforested pine wood from brazil!

Environmentally Friendly -Consistently manufactured in accordance to local government laws and norms contributing to a cleaner, healthier environment!

Socially Responsible -Manufacturer conforms to all labor legislation without use of of child labor. Offers employee benefits such as health, meals and transportation.

THANK YOU FOR YOUR PURCHASE!

ECO-FLEX FURNITURE
CEDARHURST NY 11516

Dear Customer,

Thank you for purchasing one of our products. Our products are beautifully designed for style, functionality and flexibility as your child grows! All Camaflexi furniture is non-toxic, eco-friendly and made from 100% solid wood with no MDF or laminates which allows it to meet and surpass industry quality standards for sustainability and safety.

Our beds represent the core building block of our unique bedding system. Our products are unique because just like a child's Lego building blocks which allows you to add and subtract parts, our furniture line has optional parts such as slides, bunk bed kits, under bed storage drawers, trundles and many more parts that will allow you to transform the bed as your needs grow! We created this line so that our customers can add further functionality to the beds by creating interchangeable parts.

The Flexibility is what we are all about! Camaflexi offers the best in sturdy, eco-friendly and healthy bedroom furniture for your growing child's needs!

If you need any help or support in regards to our products, please feel free to give us a call at 347-844-9307 or drop us an email at info@camaflexi.com

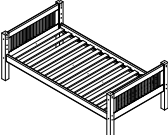
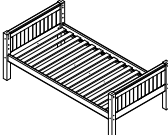
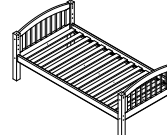
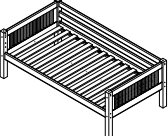
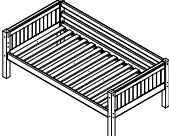
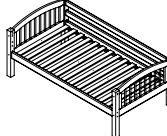
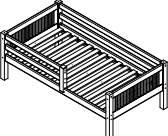
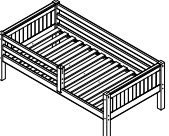
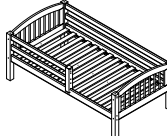


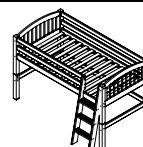





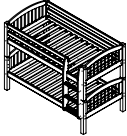
Thank you again for purchasing our products,



The Camaflexi Team

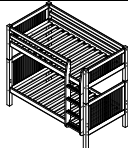
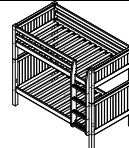
Camaflexi






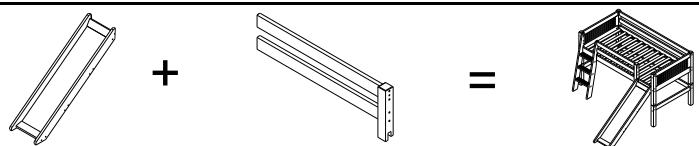
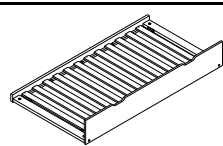

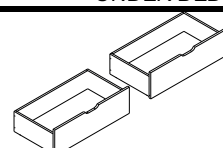

CAMAFLEXI - "THINKING OUTSIDE OF THE BED"

POSSIBLE MODELS AND ITS ACCESSORIES								
Mission			Panel			Arch Spindle		
BASE BED								
	C111_NT C112_CP C113_WH			C121_NT C122_CP C123_WH			C102_CP C103_WH	
E4021/2/3	1x	Camaflexi twin mission style low head board	E4031/2/3	1x	Camaflexi twin panel low headboard	E4011/2/3	1x	Camaflexi arch spindle
E4121/2/3	1x	Camaflexi post for headboard	E4121/2/3	1x	Camaflexi post for headboard	E4121/2/3	1x	Camaflexi post for headboard
E4221/2/3	1x	Camaflexi rails for bed with center support	E4221/2/3	1x	Camaflexi rails for bed with center support	E4221/2/3	1x	Camaflexi rails for bed with center support
E4510	1x	Camaflexi wood slats for mattress foundation	E4510	1x	Camaflexi wood slats for mattress foundation	E4510	1x	Camaflexi wood slats for mattress foundation
BASE DAYBED								
	C211_NT C212_CP C213_WH			C221_NT C222_CP C223_WH			C202_CP C203_WH	
E4021/2/3	1x	Camaflexi twin mission style low head board	E4031/2/3	1x	Camaflexi twin panel low headboard	E4011/2/3	1x	Camaflexi arch spindle
E4121/2/3	1x	Camaflexi post for headboard	E4121/2/3	1x	Camaflexi post for headboard	E4121/2/3	1x	Camaflexi post for headboard
E4221/2/3	1x	Camaflexi rails for bed with center support	E4221/2/3	1x	Camaflexi rails for bed with center support	E4221/2/3	1x	Camaflexi rails for bed with center support
E4411/2/3	1x	Camaflexi full length guard rails	E4411/2/3	1x	Camaflexi full length guard rails	E4411/2/3	1x	Camaflexi full length guard rails
E4510	1x	Camaflexi wood slats for mattress foundation	E4510	1x	Camaflexi wood slats for mattress foundation	E4510	1x	Camaflexi wood slats for mattress foundation
BASE DAYBED WITH FRONT GUARD RAIL								
	C311_NT C312_CP C313_WH			C321_NT C322_CP C323_WH			C302_CP C303_WH	
E4021/2/3	1x	Camaflexi twin mission style low head board	E4031/2/3	1x	Camaflexi twin panel low headboard	E4011/2/3	1x	Camaflexi arch spindle
E4121/2/3	1x	Camaflexi post for headboard	E4121/2/3	1x	Camaflexi post for headboard	E4121/2/3	1x	Camaflexi post for headboard
E4221/2/3	1x	Camaflexi rails for bed with center support	E4221/2/3	1x	Camaflexi rails for bed with center support	E4221/2/3	1x	Camaflexi rails for bed with center support
E4411/2/3	1x	Camaflexi full length guard rails	E4411/2/3	1x	Camaflexi full length guard rails	E4411/2/3	1x	Camaflexi full length guard rails
E4351/2/3	1x	Camaflexi short length guard rails	E4351/2/3	1x	Camaflexi short length guard rails	E4351/2/3	1x	Camaflexi short length guard rails
E4510	1x	Camaflexi wood slats for mattress foundation	E4510	1x	Camaflexi wood slats for mattress foundation	E4510	1x	Camaflexi wood slats for mattress foundation
LOW LOFT BED								
	C411_NT C412_CP C413_WH			C421_NT C422_CP C423_WH			C402_CP C403_WH	
E4021/2/3	1x	Camaflexi twin mission style low head board	E4031/2/3	1x	Camaflexi twin panel low headboard	E4011/2/3	1x	Camaflexi arch spindle
E4121/2/3	1x	Camaflexi post for headboard	E4121/2/3	1x	Camaflexi post for headboard	E4121/2/3	1x	Camaflexi post for headboard
E4221/2/3	1x	Camaflexi rails for bed with center support	E4221/2/3	1x	Camaflexi rails for bed with center support	E4221/2/3	1x	Camaflexi rails for bed with center support
E4411/2/3	1x	Camaflexi full length guard rails	E4411/2/3	1x	Camaflexi full length guard rails	E4411/2/3	1x	Camaflexi full length guard rails
E7601/2/3	1x	Camaflexi mid height loft bed kit	E7601/2/3	1x	Camaflexi mid height loft bed kit	E7601/2/3	1x	Camaflexi mid height loft bed kit
E7501/2/3	1x	Camaflexi angle ladder for mid height loft bed	E7501/2/3	1x	Camaflexi angle ladder for mid height loft bed	E7501/2/3	1x	Camaflexi angle ladder for mid height loft bed
E4311/2/3	1x	Camaflexi 3/4 long guard rails	E4311/2/3	1x	Camaflexi 3/4 long guard rails	E4311/2/3	1x	Camaflexi 3/4 long guard rails
E4510	1x	Camaflexi wood slats for mattress foundation	E4510	1x	Camaflexi wood slats for mattress foundation	E4510	1x	Camaflexi wood slats for mattress foundation
LOW BUNK BED								
	C2011A_NT C2012A_CP C2013A_WH			C2021A_NT C2022A_CP C2023A_WH			C2002A_CP C2003A_WH	
E4021/2/3	1x	Camaflexi twin mission style low head board	E4031/2/3	1x	Camaflexi twin panel low headboard	E4011/2/3	1x	Camaflexi arch spindle
E4121/2/3	1x	Camaflexi post for headboard	E4121/2/3	1x	Camaflexi post for headboard	E4121/2/3	1x	Camaflexi post for headboard
E4221/2/3	1x	Camaflexi rails for bed with center support	E4221/2/3	1x	Camaflexi rails for bed with center support	E4221/2/3	1x	Camaflexi rails for bed with center support
E4411/2/3	1x	Camaflexi full length guard rails	E4411/2/3	1x	Camaflexi full length guard rails	E4411/2/3	1x	Camaflexi full length guard rails
E4311/2/3	1x	Camaflexi 3/4 long guard rails	E4311/2/3	1x	Camaflexi 3/4 long guard rails	E4311/2/3	1x	Camaflexi 3/4 long guard rails
E7301/2/3	1x	Camaflexi angle ladder for bunk bed 60"	E7301/2/3	1x	Camaflexi angle ladder for bunk bed 60"	E7301/2/3	1x	Camaflexi angle ladder for bunk bed 60"
E4510	1x	Camaflexi wood slats for mattress foundation	E4510	1x	Camaflexi wood slats for mattress foundation	E4510	1x	Camaflexi wood slats for mattress foundation
	C2011_NT C2012_CP C2013_WH			C2021_NT C2022_CP C2023_WH			C2002_CP C2003_WH	
E4021/2/3	1x	Camaflexi twin mission style low head board	E4031/2/3	1x	Camaflexi twin panel low headboard	E4011/2/3	1x	Camaflexi arch spindle
E4121/2/3	1x	Camaflexi post for headboard	E4121/2/3	1x	Camaflexi post for headboard	E4121/2/3	1x	Camaflexi post for headboard
E4221/2/3	1x	Camaflexi rails for bed with center support	E4221/2/3	1x	Camaflexi rails for bed with center support	E4221/2/3	1x	Camaflexi rails for bed with center support
E4411/2/3	1x	Camaflexi full length guard rails	E4411/2/3	1x	Camaflexi full length guard rails	E4411/2/3	1x	Camaflexi full length guard rails
E4311/2/3	1x	Camaflexi 3/4 long guard rails	E4311/2/3	1x	Camaflexi 3/4 long guard rails	E4311/2/3	1x	Camaflexi 3/4 long guard rails
E7401/2/3	1x	Camaflexi attached ladder for bunk bed 60"	E7301/2/3	1x	Camaflexi attached ladder for bunk bed 60"	E7301/2/3	1x	Camaflexi attached ladder for bunk bed 60"
E4510	1x	Camaflexi wood slats for mattress foundation	E4510	1x	Camaflexi wood slats for mattress foundation	E4510	1x	Camaflexi wood slats for mattress foundation

BUNK BED					
		C911A_NT C912A_CP C913A_WH			
E4021/2/3	1x	Camaflexi twin mission style low headboard	E4031/2/3	1x	Camaflexi twin panel low headboard
E4121/2/3	1x	Camaflexi post for headboard	E4121/2/2	1x	Camaflexi post for headboard
E4221/2/3	1x	Camaflexi rails for bed with center support	E4221/2/3	1x	Camaflexi rails for bed with center support
E5821/2/3	1x	Camaflexi tall headboard mission style	E5831/2/3	1x	Camaflexi tall headboard panel headboard
E5911/2/3	1x	Camaflexi posts for headboard	E5911/2/3	1x	Camaflexi posts for headboard
E4411/2/3	1x	Camaflexi full length guard rails	E4411/2/3	1x	Camaflexi full length guard rails
E4311/2/3	1x	Camaflexi 3/4 long guard rails	E4311/2/3	1x	Camaflexi 3/4 long guard rails
E7001/2/3	1x	Camaflexi angle ladder for bunk bed	E7001/2/3	1x	Camaflexi angle ladder for bunk bed
E4510	1x	Camaflexi wood slats for mattress foundation	E4510	1x	Camaflexi wood slats for mattress foundation

		C911_NT C912_CP C913_WH			
E4021/2/3	1x	Camaflexi twin mission style low headboard	E4031/2/3	1x	Camaflexi twin panel low headboard
E4121/2/3	1x	Camaflexi post for headboard	E4121/2/3	1x	Camaflexi post for headboard
E4221/2/3	1x	Camaflexi rails for bed with center support	E4221/2/3	1x	Camaflexi rails for bed with center support
E5821/2/3	1x	Camaflexi tall headboard mission style	E5831/2/3	1x	Camaflexi tall headboard panel headboard
E5911/2/3	1x	Camaflexi posts for headboard	E5911/2/3	1x	Camaflexi posts for headboard
E4411/2/3	1x	Camaflexi full length guard rails	E4411/2/3	1x	Camaflexi full length guard rails
E4311/2/3	1x	Camaflexi 3/4 long guard rails	E4311/2/3	1x	Camaflexi 3/4 long guard rails
E6901/2/3	1x	Camaflexi attached ladder for bunk bed	E6901/2/3	1x	Camaflexi attached ladder for bunk bed
E4510	1x	Camaflexi wood slats for mattress foundation	E4510	1x	Camaflexi wood slats for mattress foundation

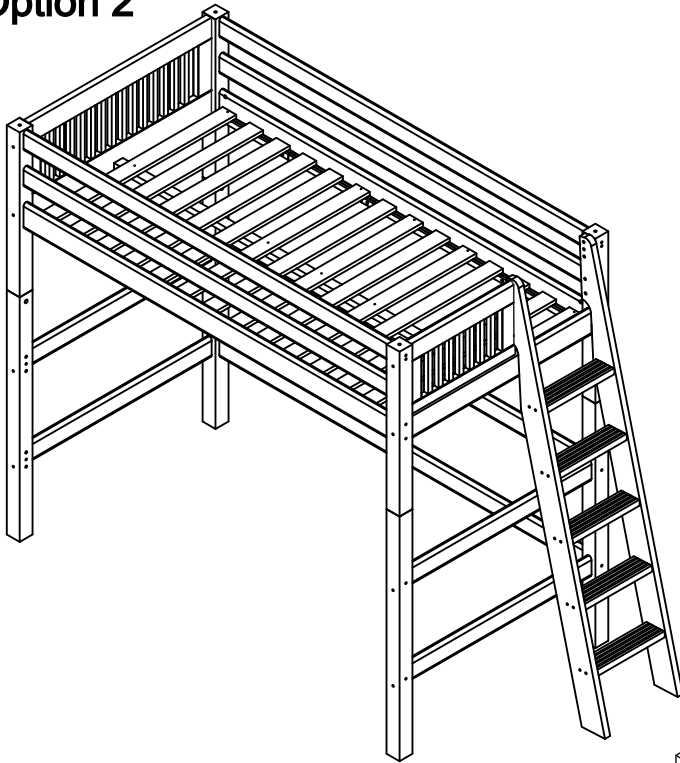
HIGH LOFT BED					
		C611_NT C612_CP C613_WH			
					
E4021/2/3	1x	Camaflexi twin mission style low headboard	E4031/2/3	1x	Camaflexi twin panel low headboard
E4121/2/3	1x	Camaflexi post for headboard	E4121/2/3	1x	Camaflexi post for headboard
E4221/2/3	1x	Camaflexi rails for bed with center support	E4221/2/3	1x	Camaflexi rails for bed with center support
E4411/2/3	1x	Camaflexi full length guard rails	E4411/2/3	1x	Camaflexi full length guard rails
E4311/2/3	1x	Camaflexi 3/4 long guard rails	E4311/2/3	1x	Camaflexi 3/4 long guard rails
E4911/2/3	1x	Camaflexi ladder for high loft bed	E4911/2/3	1x	Camaflexi ladder for high loft bed
E4811/2/3	1x	Camaflexi high loft bed kit	E4811/2/3	1x	Camaflexi high loft bed kit
E4510	1x	Camaflexi wood slats for mattress foundation	E4510	1x	Camaflexi wood slats for mattress foundation

ACCESSORIES					
LOW LOFT BED WITH SLIDE			UNDER BED TRUNDLE		
					
E5011/2/3	1x	Camaflexi slide for mid height loft bed	E43511/2/3	1x	Camaflexi short length guard rails
LOW LOFT BED WITH RETRACTABLE DESK			UNDER BED DRAWERS		
					
E5211/2/3	1x	Camaflexi bookcase desk for mid or high loft bed	E3031/2/3	1x	Camaflexi two drawers
HIGH LOFT BED WITH DESK					
					
E5111/2/3	1x	Camaflexi long desk for high loft bed			

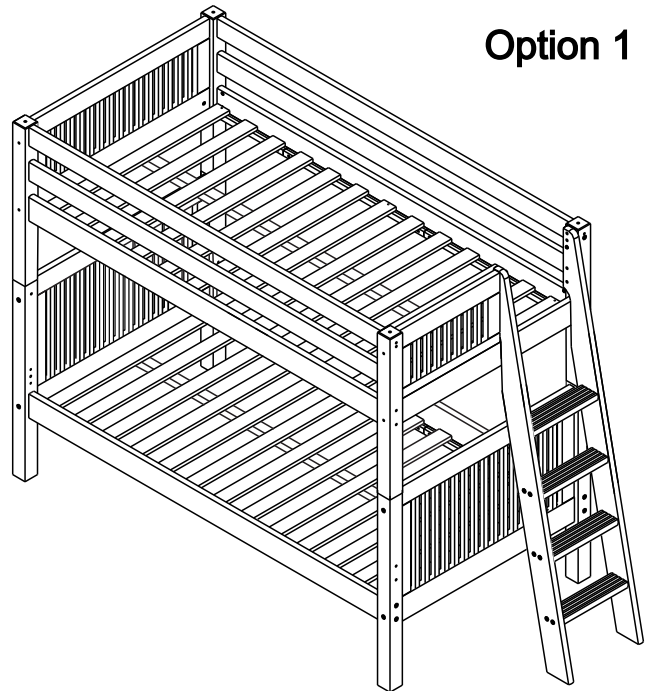
CAMAFLEXI LATERAL LADDER KIT - TWIN

The lateral entry head board is available in mission style and can be used for CAMAFLEXI BUNK BED (option 01), HIGH LOFT BEDS (option 02) and LOW LOFT BEDS (option 03).

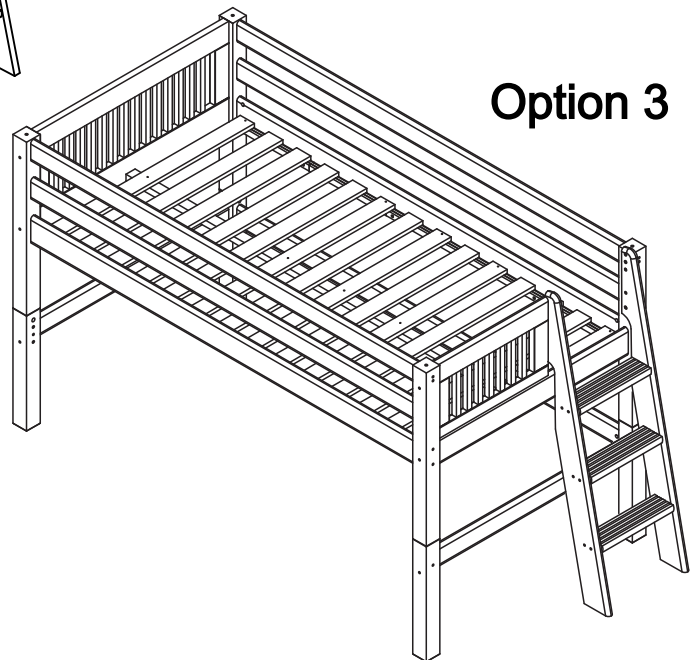
Option 2



Option 1



Option 3



ATTENTION

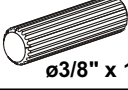




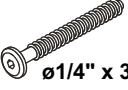
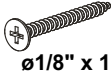
- 1 - Read and observe carefully all the assembly instructions before beginning assembly.
- 2 - The assembly of the product must be done on a clean and flat surface. We suggest to use the packaging to cover the floor to avoid damages.
- 3 - The screw must be tightened periodically.
- 4 - Avoid contact with sharp objects.
- 5 - Avoid banging pieces together.



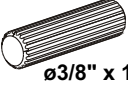
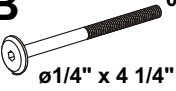

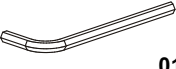
Parts and hardware list for assembly of "LATERAL ENTRY HEAD BOARDS KIT".

The hardware is located in carton SKU numbers as indicated below. Please check all parts available.

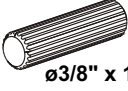
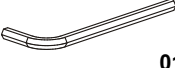

Hardware - Carton SKU# E4121/2/3

A  16Pc ø3/8" x 1 9/16"	B  12Pc ø1/4" x 4 1/4"	C  12Pc ø1/4"x5/8"	E  12Pc ø3/8"	F  1Pc
G  3Pc ø1/4" x 3 7/8"	I  15Pc ø1/8" x 1 3/8"			

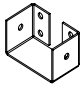

Hardware - Carton SKU# E4411/2/3

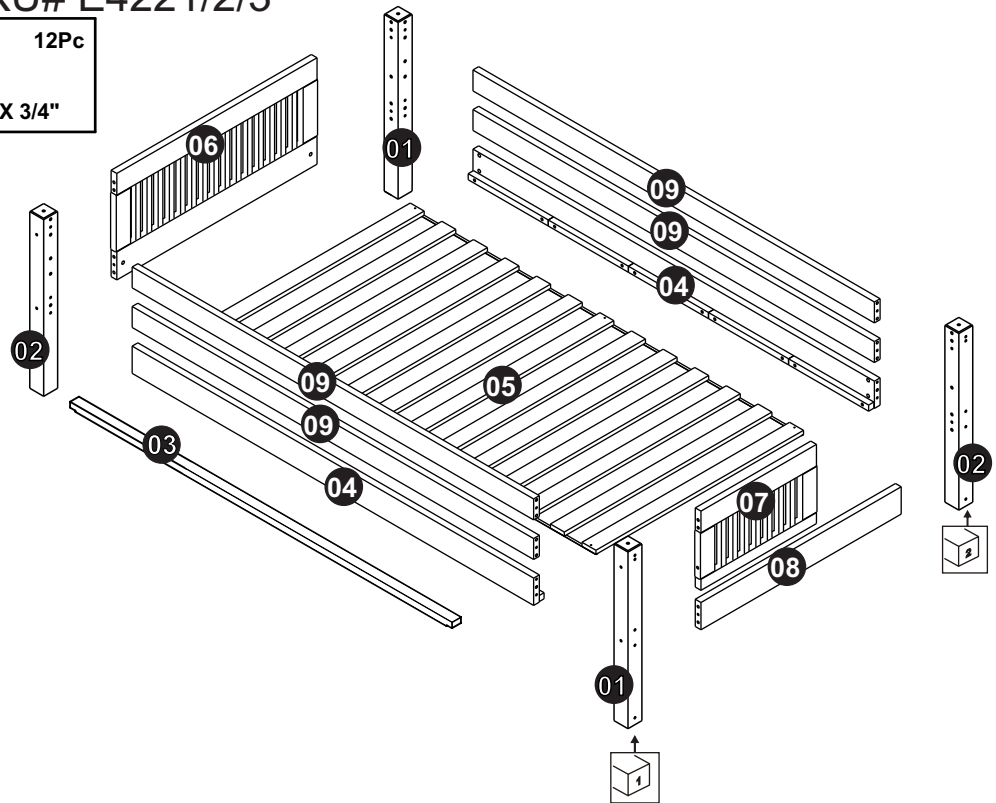
A  08Pc ø3/8" x 1 9/16"	B  02Pc ø1/4" x 4 1/4"	C  02Pc ø1/4"x5/8"	F  01Pc
--	---	---	--

Hardware - Carton SKU# E6011/2/3

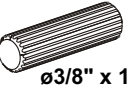



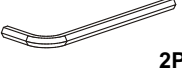


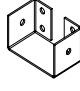

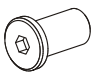





A  02Pc ø3/8" x 1 9/16"	F  01Pc	N  01Pc ø1/4 X 2 5/16"
--	---	---

Hardware - Carton SKU# E4221/2/3

J  2Pc	M  12Pc ø1/8" X 3/4"
---	---

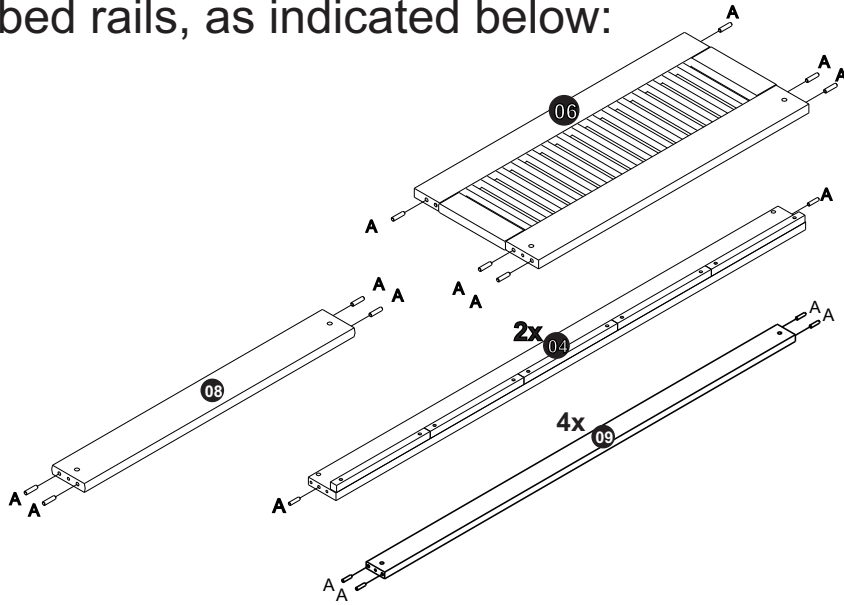


Total Parts + Hardware needed for Assembly

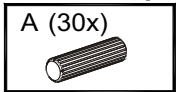
A  35Pc ø3/8" x 1 9/16"	B  16Pc ø1/4" x 4 1/4"	C  16Pc ø1/4"x5/8"	E  12Pc ø3/8"	F  2Pc
G  3Pc ø1/4" x 3 7/8"	I  15Pc ø1/8" x 1 3/8"	J  2Pc	K  1Pc ø1/4" X 3 1/8"	L  1Pc ø1/4"
M  12Pc ø1/8" X 3/4"	N  1Pc ø1/4 X 2 5/16"	P  4Pc ø1/4" X 1 9/16"	AH  04 Pcs.	AI  04 Pcs.

ASSEMBLY INSTRUCTIONS

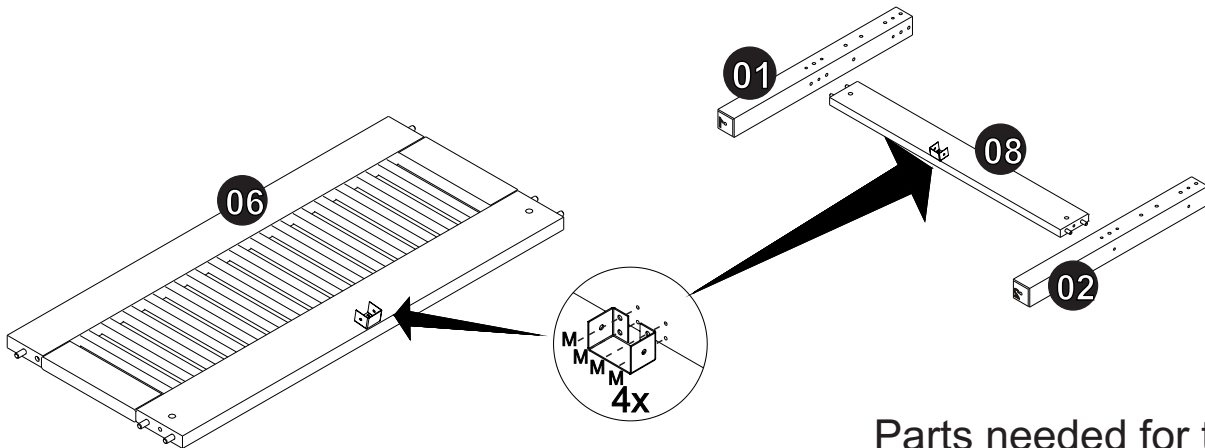
Step 01 - Place wood dowels into head board panels, guard rails and bed rails, as indicated below:



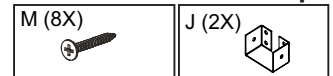
Parts needed for this step:



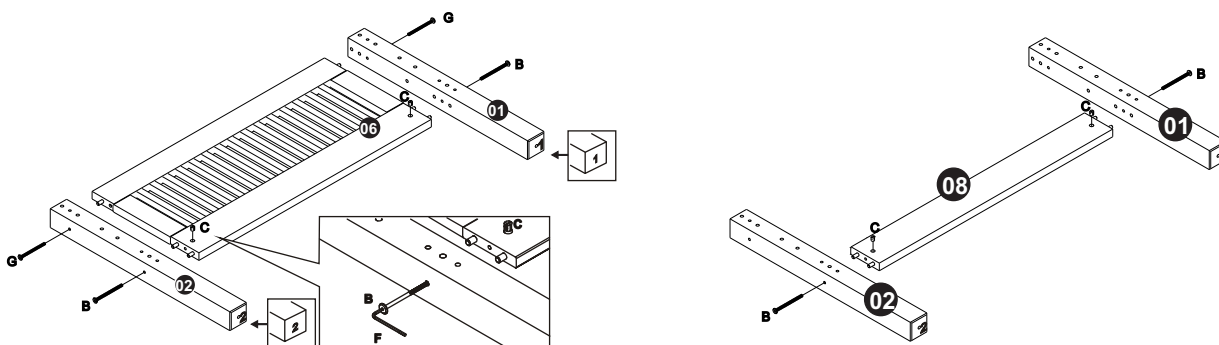
Step 02 - Attach metal center support bracket to head board panel and lateral head board cross rail as shown below:



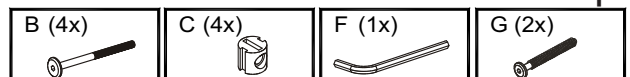
Parts needed for this step:



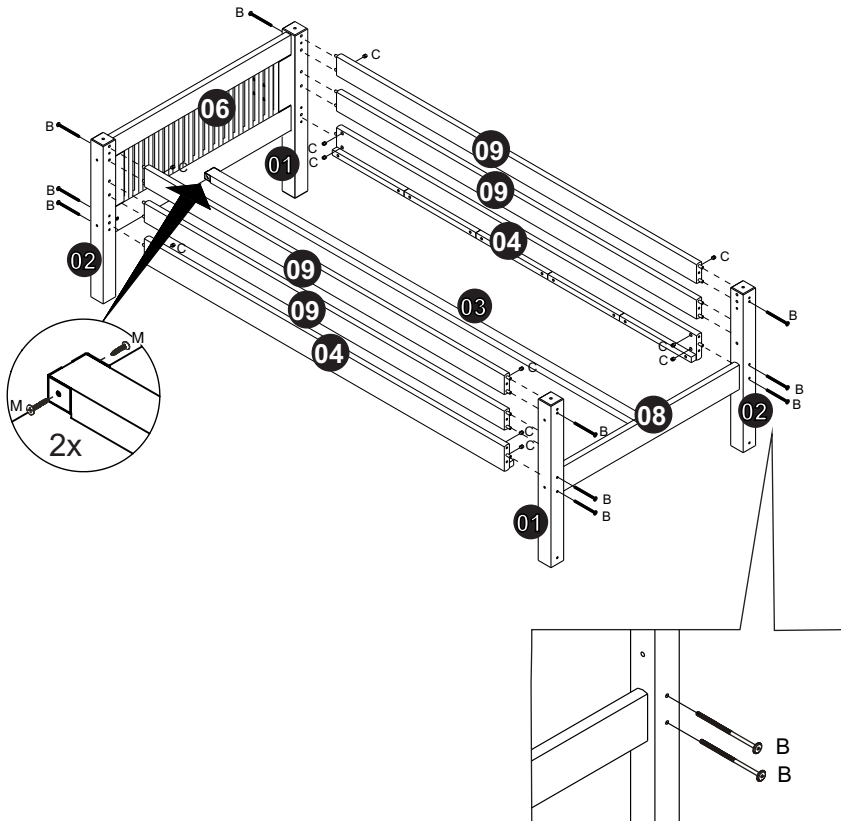
Step 03 - Fasten head board panel and lateral head board cross rail to bed posts as shown:



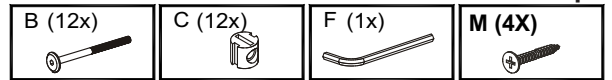
Parts needed for this step:



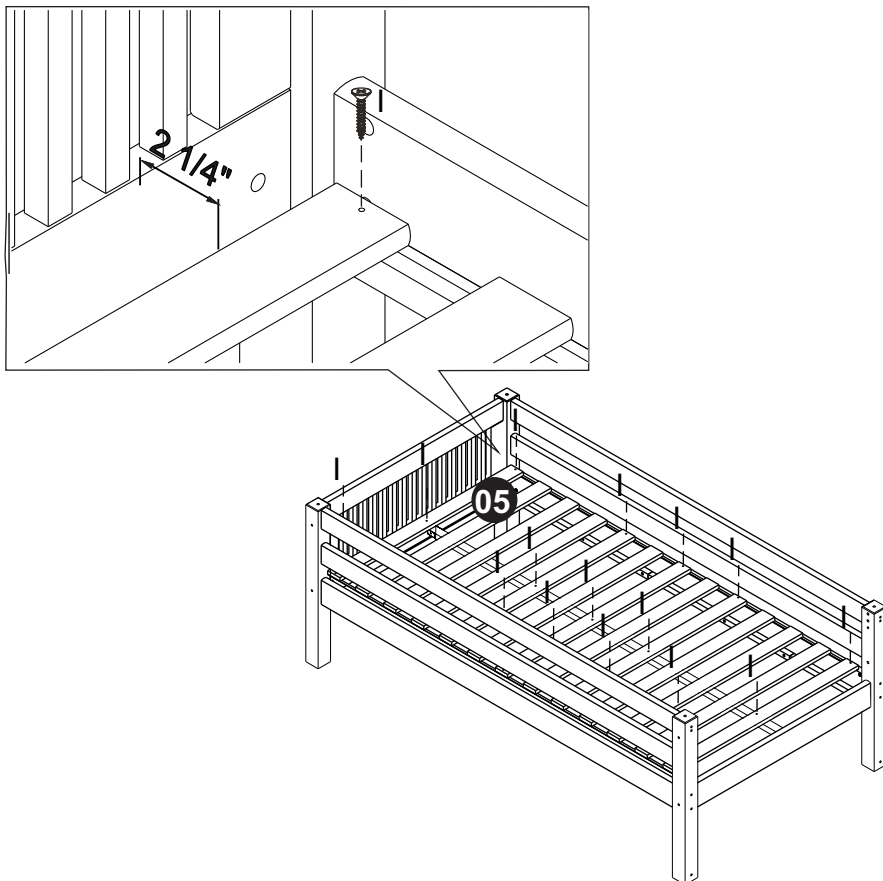
Step 04 - Attach bed rails, full Length Guard Rails and center support rail to assembled head boards as indicated below:



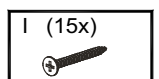
Parts needed for this step:



Step 05 - Attach slat roll foundation to bed rails and center support rail as indicated:

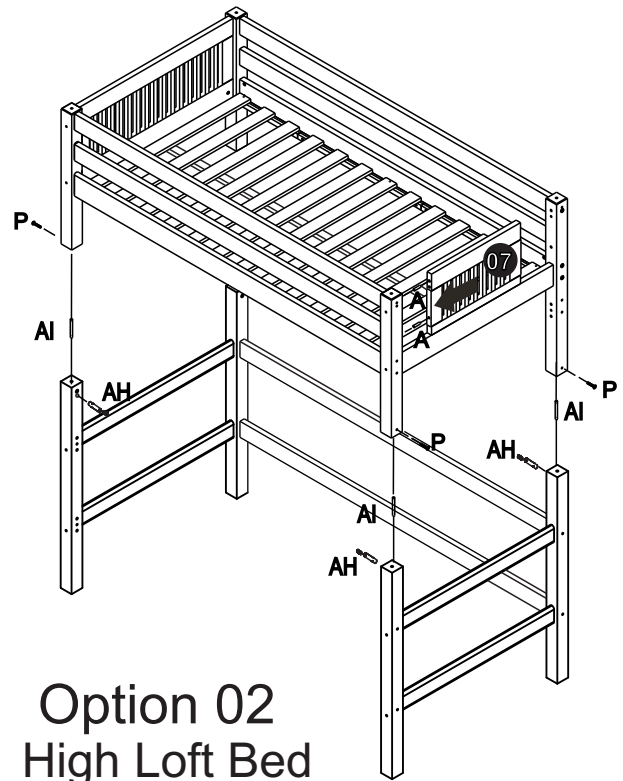
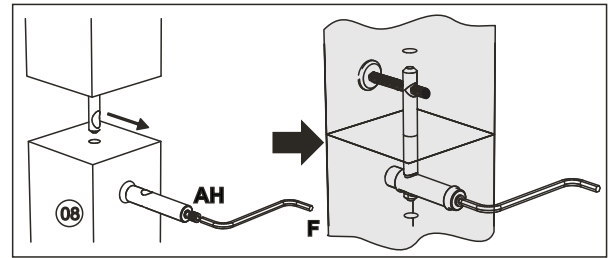
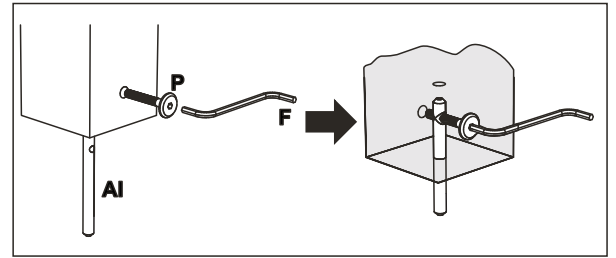
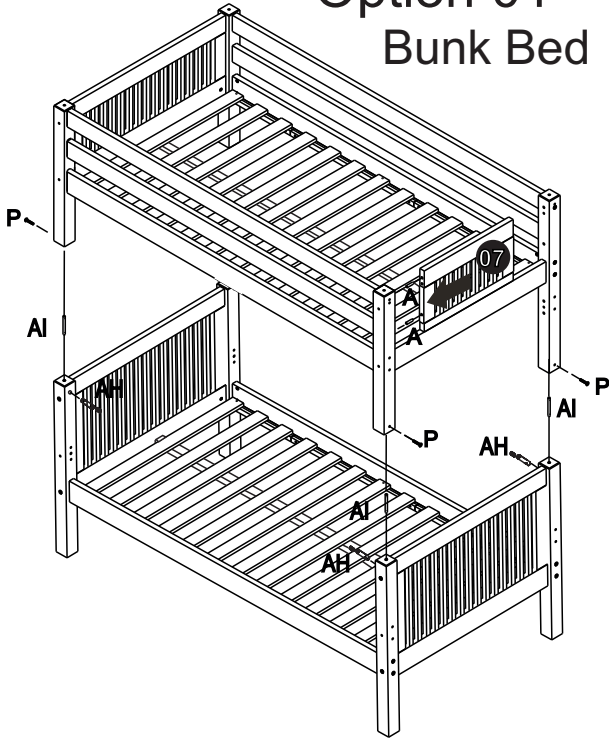


Parts needed for this step:

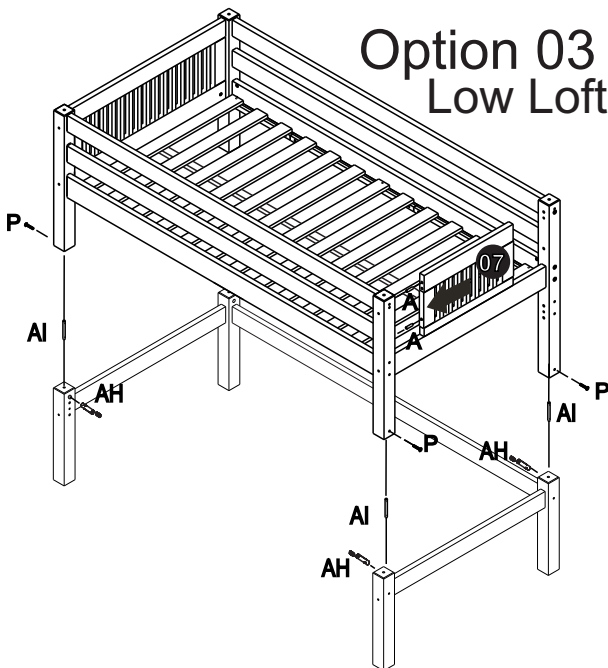


Step 06 - Put wood dowels (part A) into half lateral head board panel and position on the side of the bed posts you desire ladder to be attach to (left or right side of head board). Depending on the option of bed, fasten the assemble base bed to the lower bed or extender kits as illustrated by options 1,2 or 3.

Option 01 Bunk Bed








Option 03 Low Loft Bed



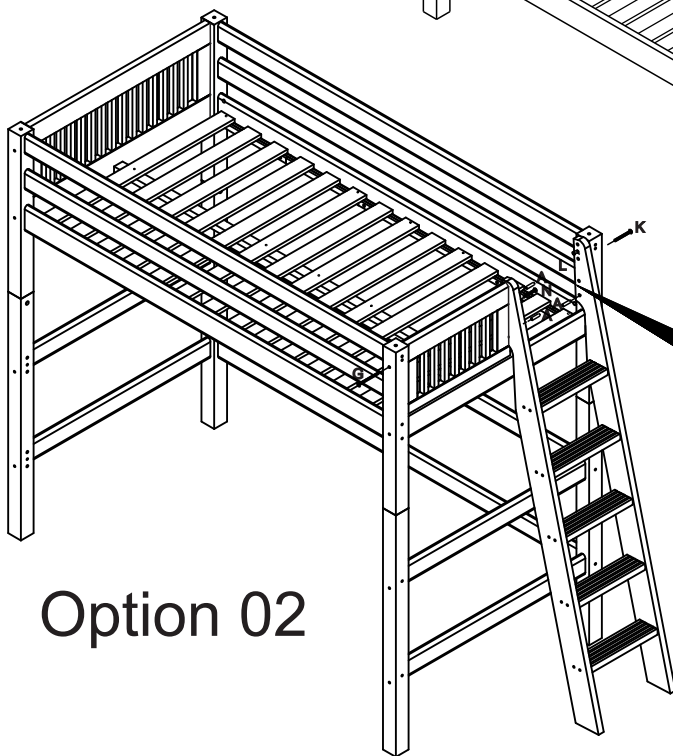
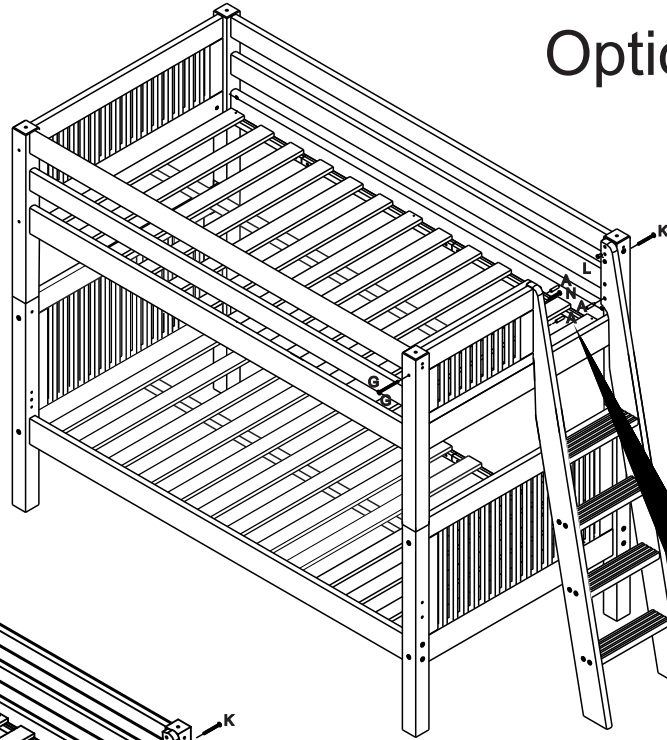
Option 02 High Loft Bed

Parts needed for this step:

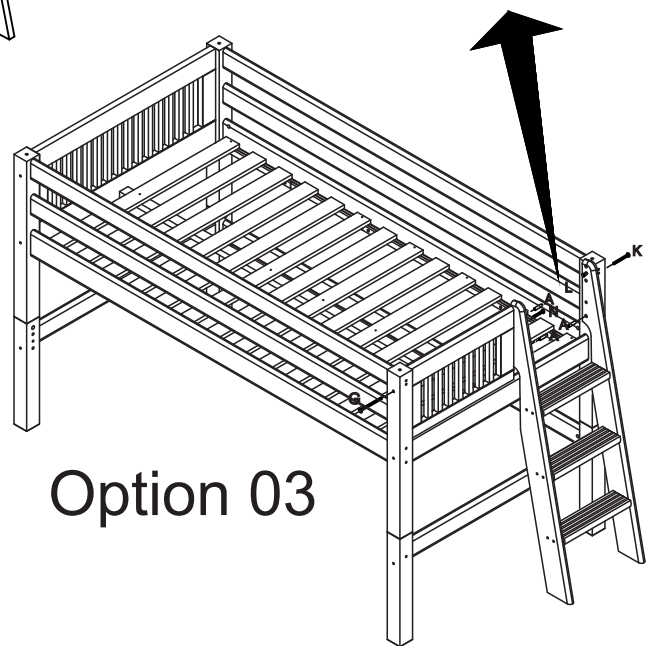
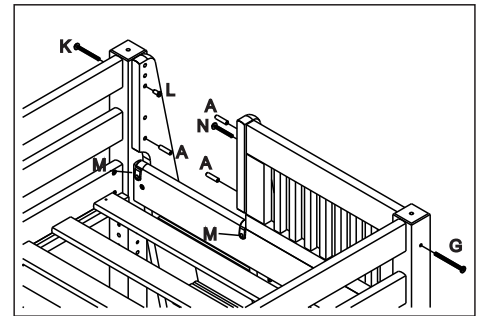
A (2x) 	F (1x) 	P (4x) 	AH (4x) 	AI (4x) 
--	--	--	---	---

Step 07 - Attach assembled ladder (option 1,2 or 3) to the lateral entry head board panel and bed post as indicated.

Option 01










Option 02



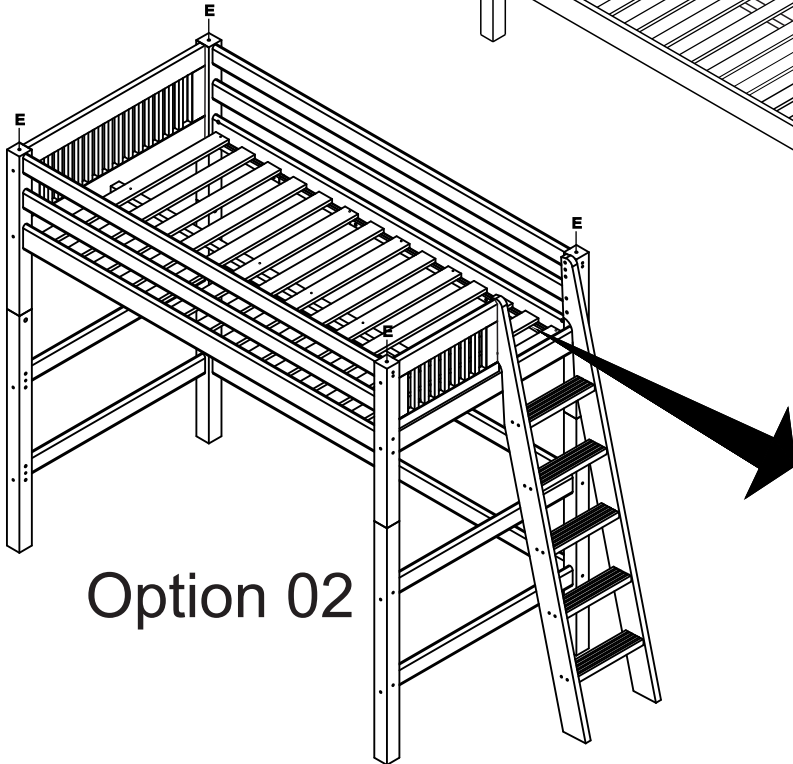
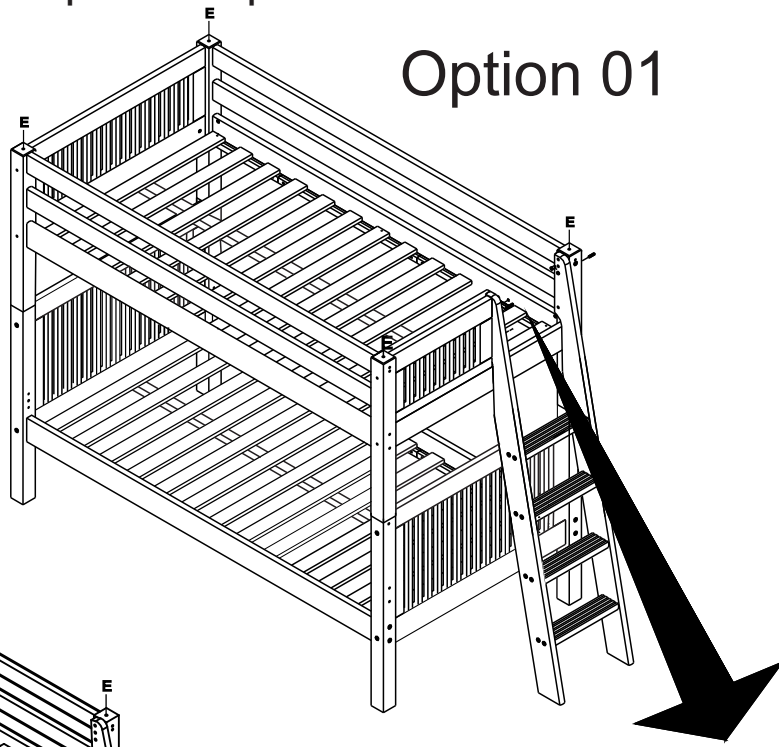
Option 03

Parts needed for this step:

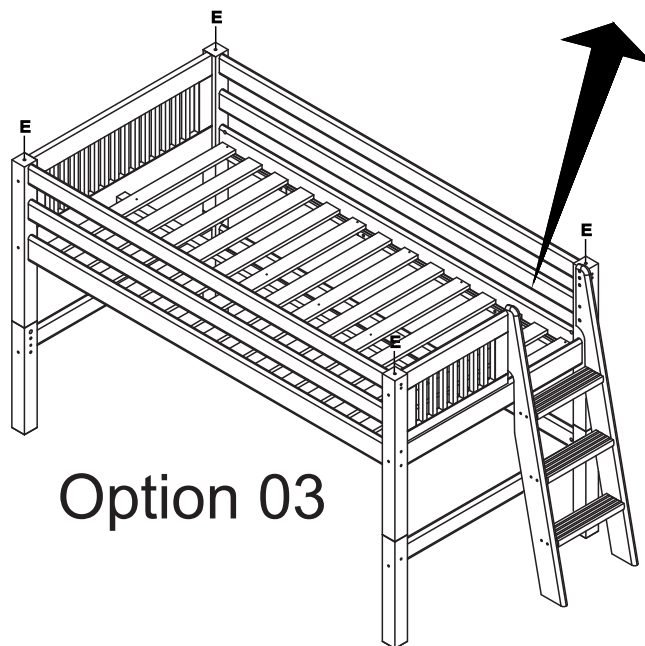
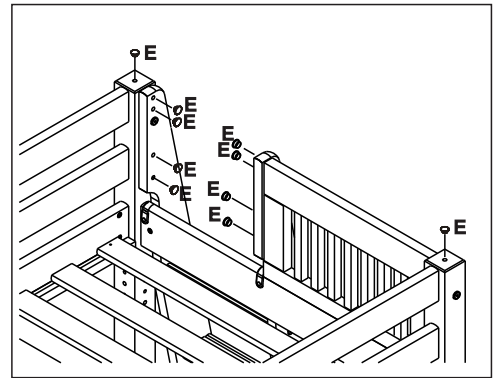
<p>A (3x)</p> 	<p>F (2x)</p> 	<p>G (1x)</p> 	<p>M (2x)</p> 	<p>N (1x)</p> 	<p>L (1x)</p> 	<p>K (1x)</p> 
---	---	---	--	---	---	---

Step 08 - Place plastics caps into open screw holes.

Option 01



Option 02



Option 03

Parts needed for this step:

