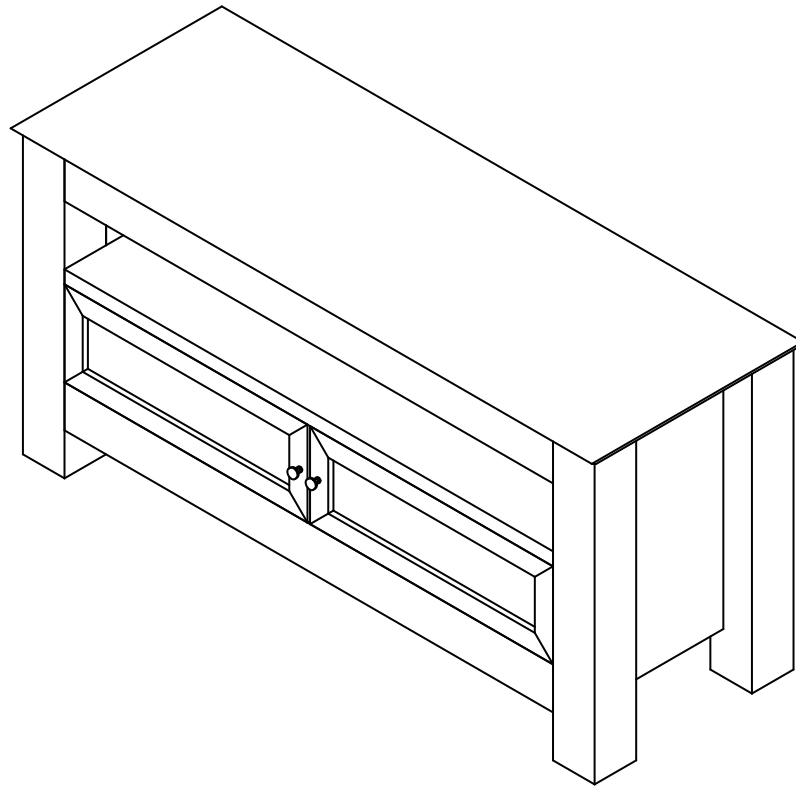




W44CSBL, W44CSMB ASSEMBLY INSTRUCTIONS

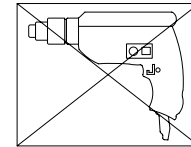


For our most up-to-date instructions, to request missing, lost, or broken parts, or for any other Customer Service issues, please visit our website at www.walkeredison.com or call us at 877-207-5906.

General Assembly Guidelines

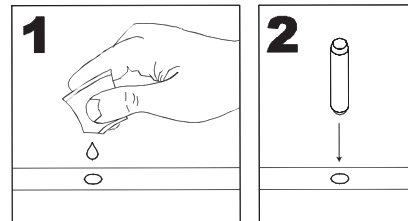
- I. Ensure that all parts are available before beginning assembly.
- II. Follow each step carefully to ensure proper assembly of this product.
- III. The four main types of hardware used to construct this TV console are: wood dowels, cam and bolt, hex-head bolts, and screws.
- IV. Two people are recommended for ease in assembly of this product.

V. Power tools should not be used to assemble this product.



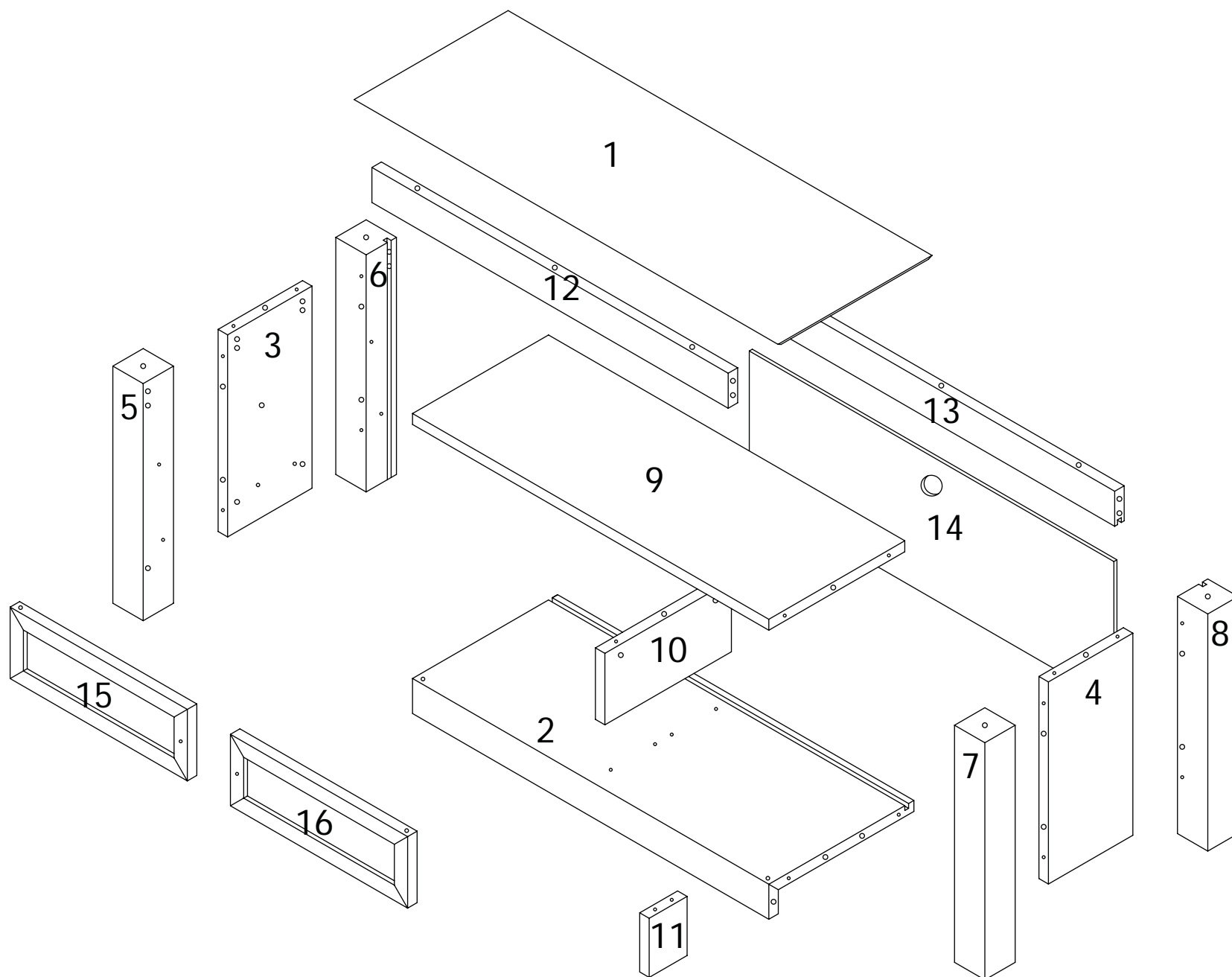
VI. To attach wood dowels, place provided glue in the holes before inserting dowel.

Wipe away excess glue immediately.


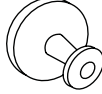
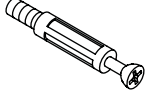
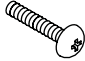


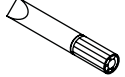
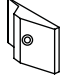
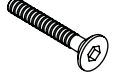


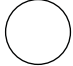
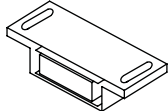

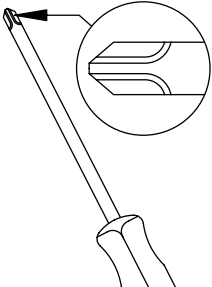
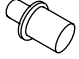




For our most up-to-date instructions, to request missing, lost, or broken parts, or for any other Customer Service issues, please visit our website at www.walkeredison.com or call us at 877-207-5906.

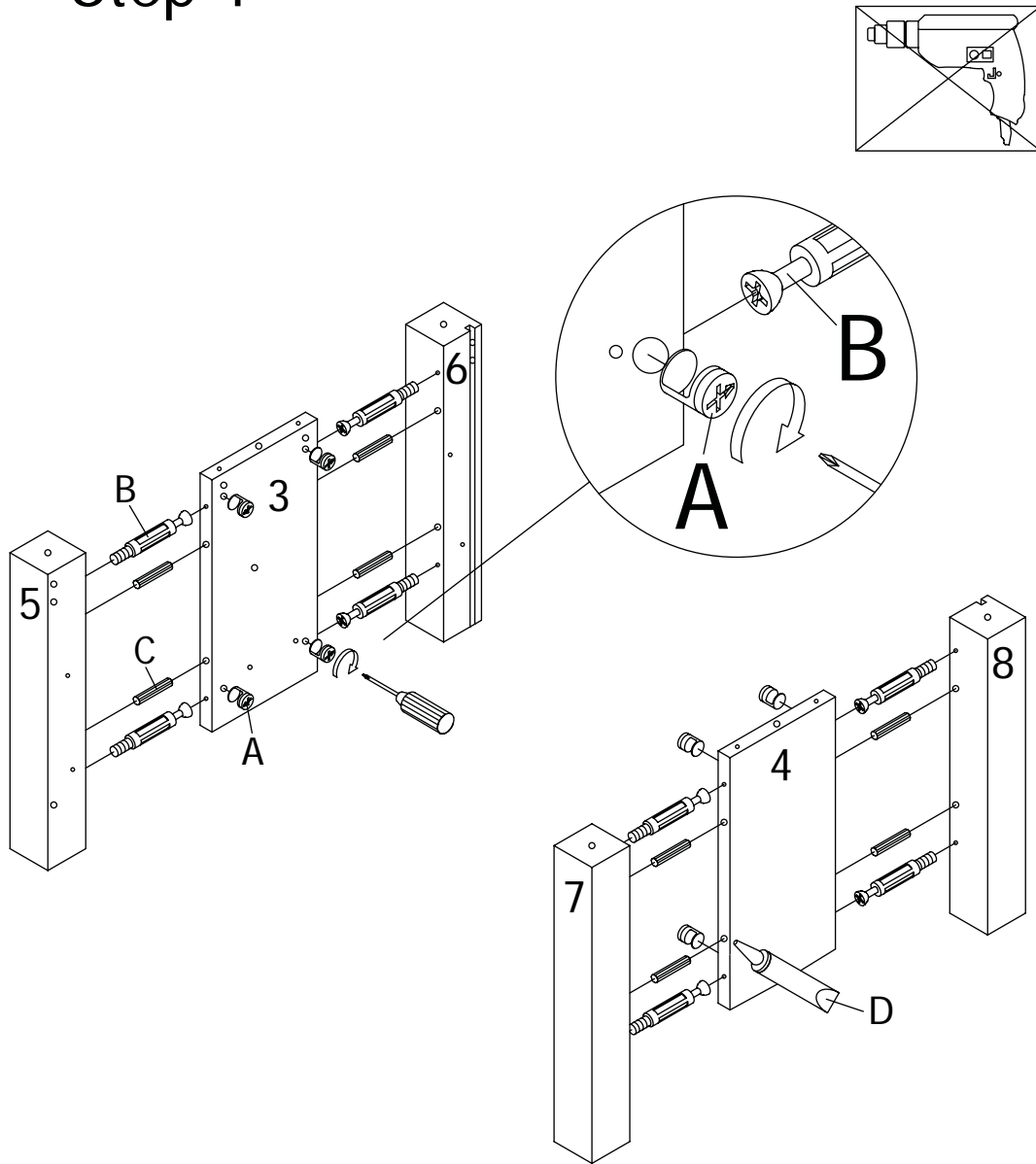
W44CSBL, W44CSMB Parts List



W44CSBL, W44CSMB Hardware Parts List

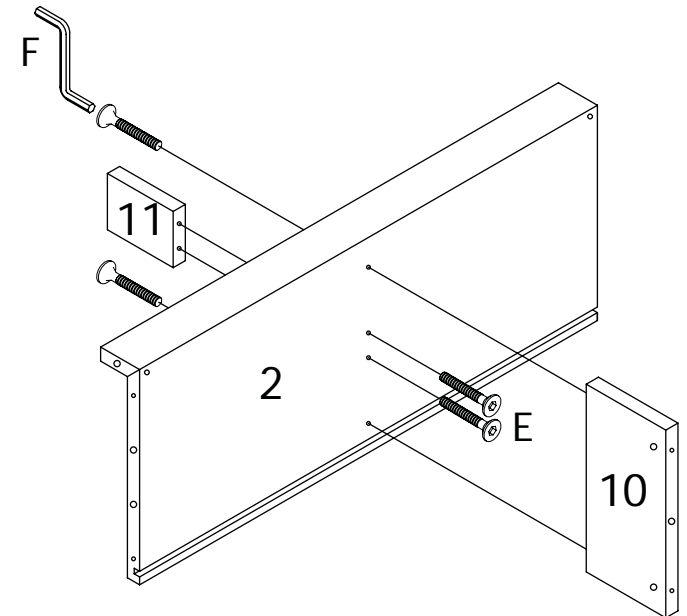
A. Cam lock		22 pcs	N. Handle		2 pcs
B. Cam bolt		22 pcs	P. Screw		2 pcs
C. Dowel		37 pcs	Q. Plastic Pivot		2 pcs
D. Glue tube		3 pcs	R. Plastic Wedges		8 pcs
E. Screw (6x50mm)		4 pcs	S. Screw (3x14mm)		8 pcs
F. Hex wrench		1 pc	Sticker		10 pcs
G. Door stopper		2 pcs	<p>* The hardware quantities listed are required for proper assembly. Some extra hardware may have also been included.</p>		
H. Screw (3x12mm)		4 pcs	 <p>Philips head screwdriver required for assembly (not included)</p>		
I. Fixed Door Hinge		2 pcs			
J. Sprung Door Hinge		2 pcs			
K. Screw		2 pcs			

Step 1



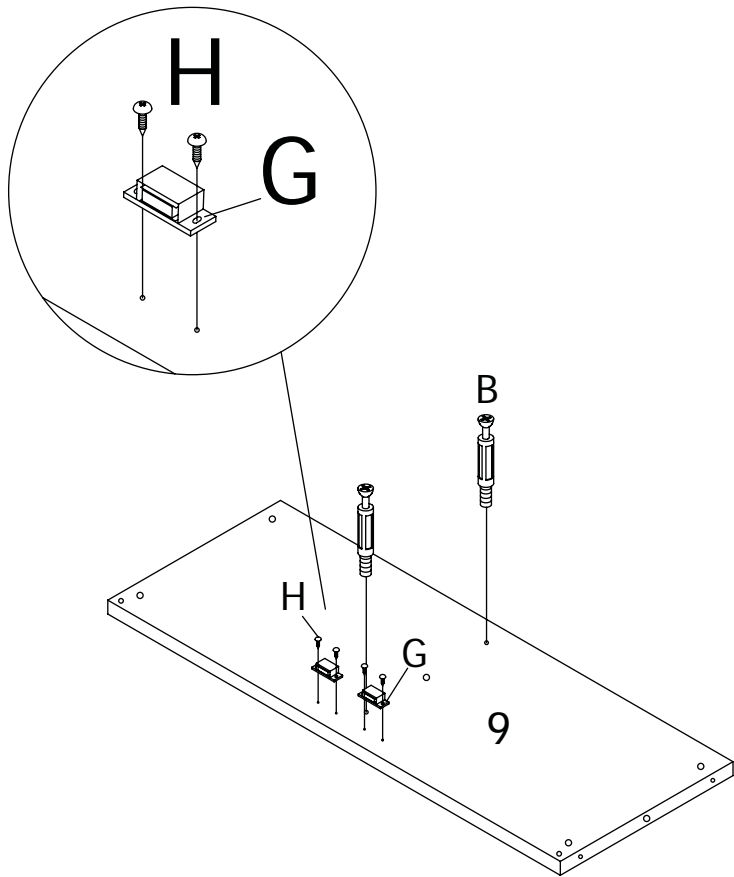
Insert dowels (C) and cam bolts (B) into side panels.
(Apply glue (D) to dowels as directed in the "General Assembly Guidelines")
Attach the legs (5,6,7,8) to the side panels (3 & 4) as shown in the diagram.
Tighten cam locks (A) using a screwdriver as shown. Set aside for later use.

Step 2



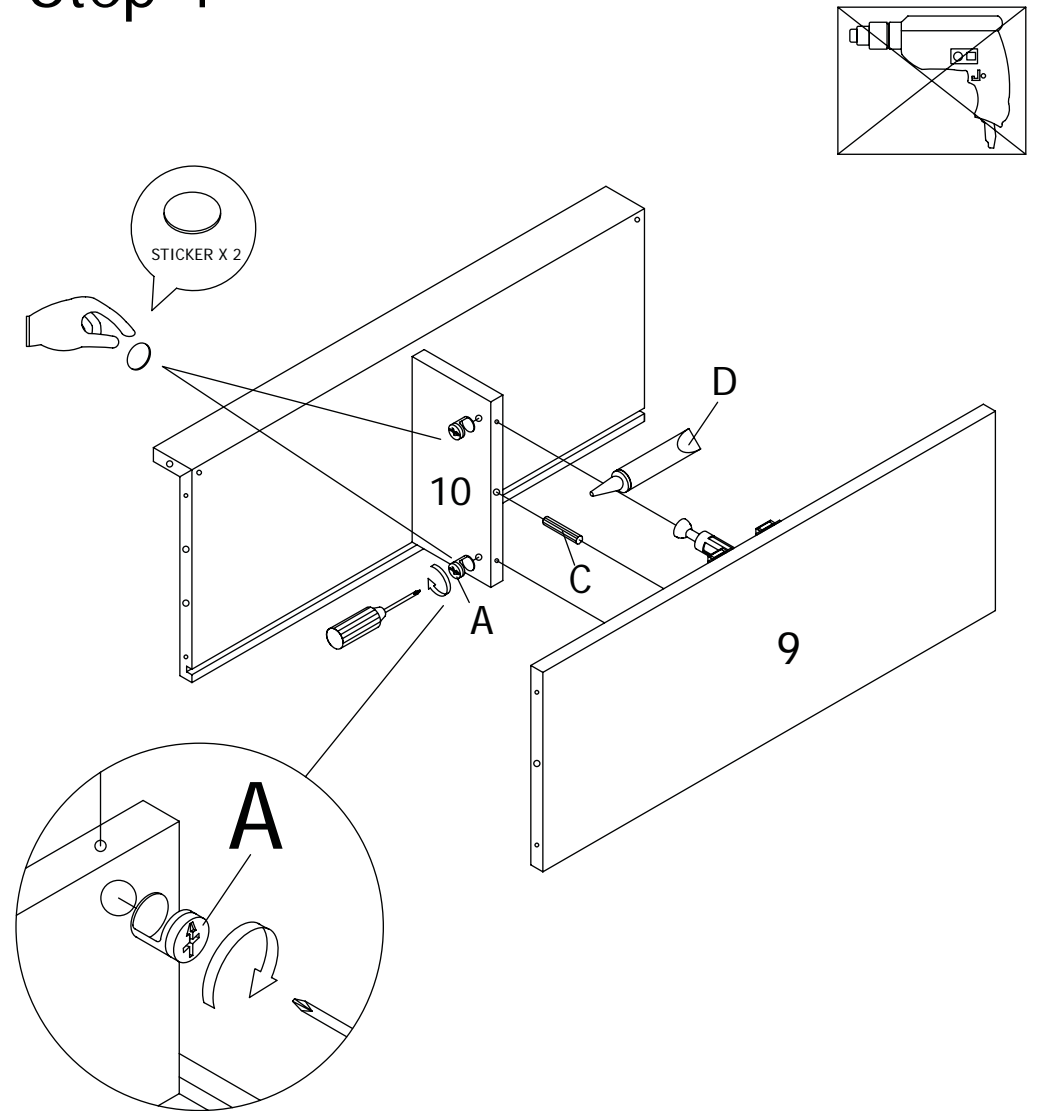
Attach support leg (11) to the stand base with screws (E) using hex wrench (F). Attach divider panel (10) to the stand base with screws (E) using hex wrench (F).

Step 3



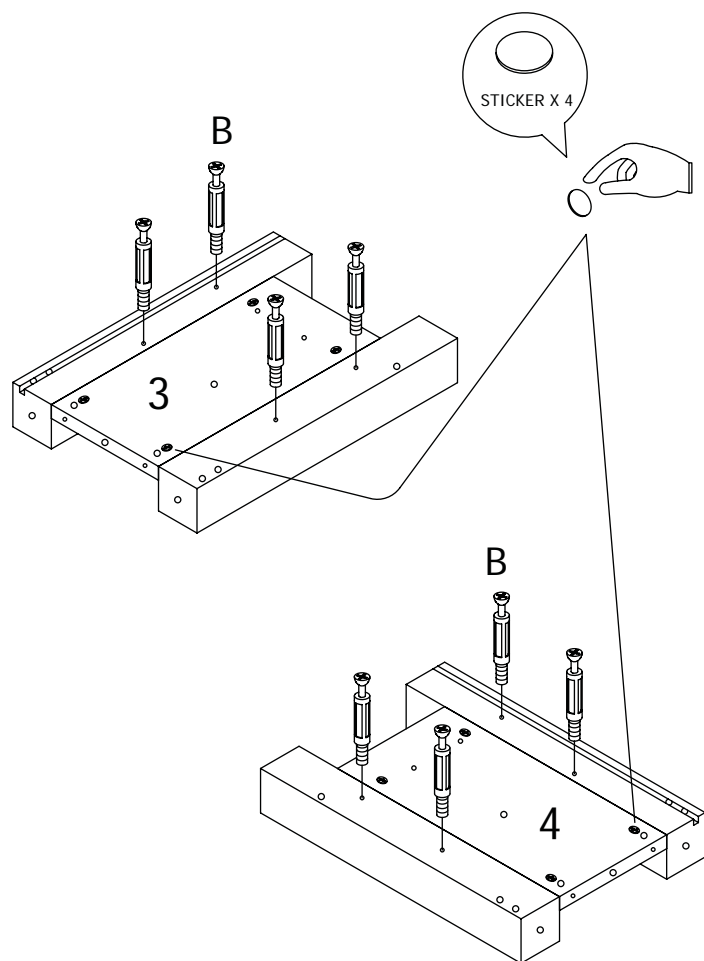
Attach cam bolts (B) and door stops (G) to middle shelf (9) using screws(H) as shown in the diagram.

Step 4



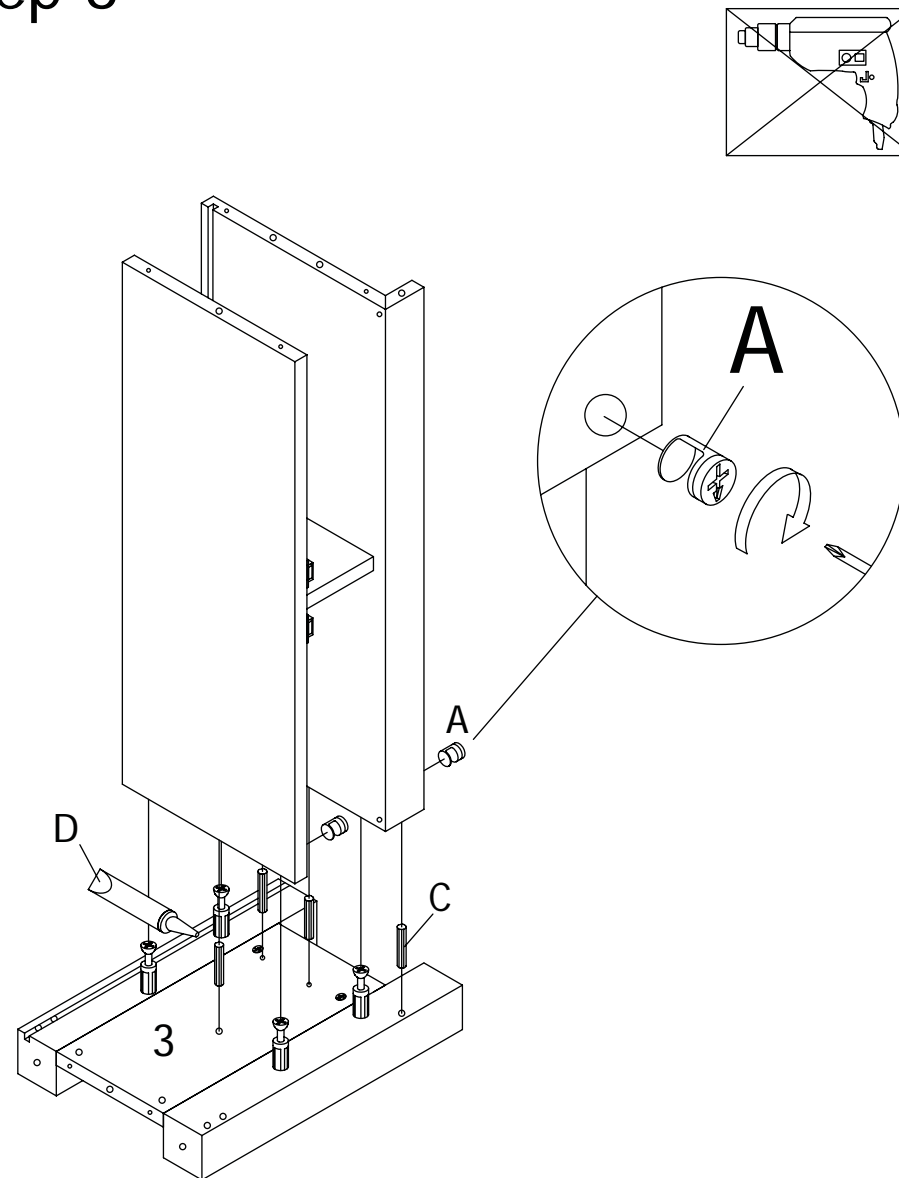
Insert dowel (C) into stand base divider panel (10) (*Remember to apply glue (D)*)
Attach the middle shelf (9) to the stand base from Step 2.
Tighten cam locks (A) using a screwdriver as shown in the diagram.
After tightening cover cam locks with the provided stickers.

Step 5



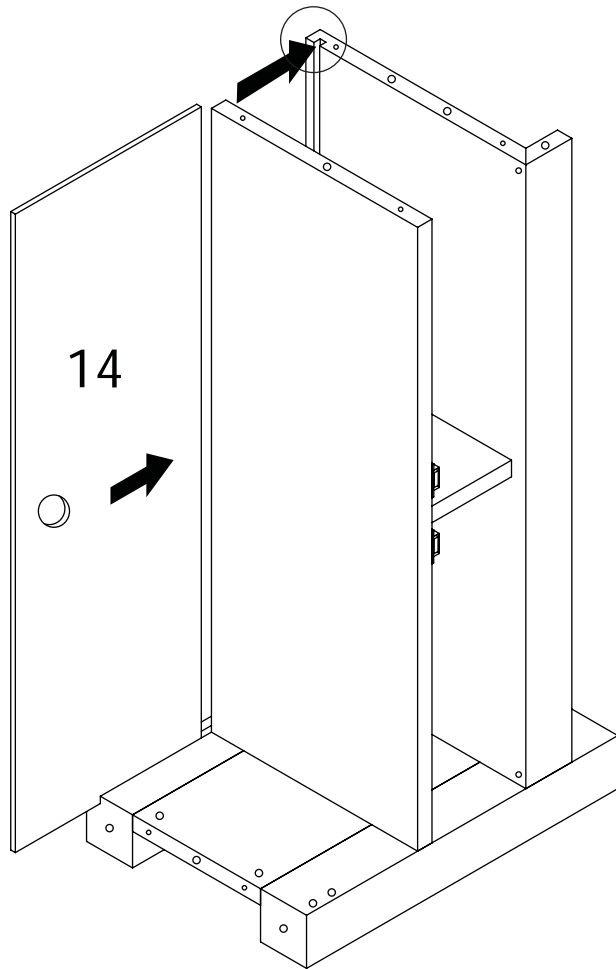
Attach cam bolts (B) to side panel assemblies (3 & 4).
Cover cam locks (A) using the provided stickers as shown in the diagram.

Step 6



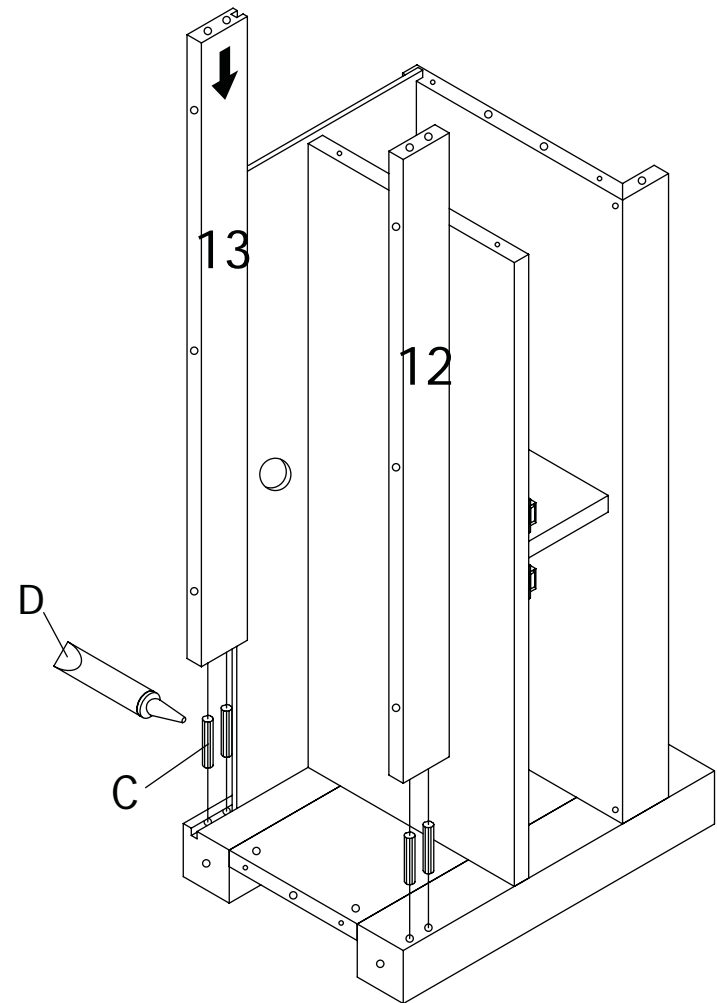
Insert dowels (C) into the left side panel (3). (Remember to apply glue (D))
Insert cam locks (A) into frame assembly. Attach left side panel (3) to frame assembly.
Tighten cam locks (A) with a screwdrivers as shown in the diagram.

Step 7



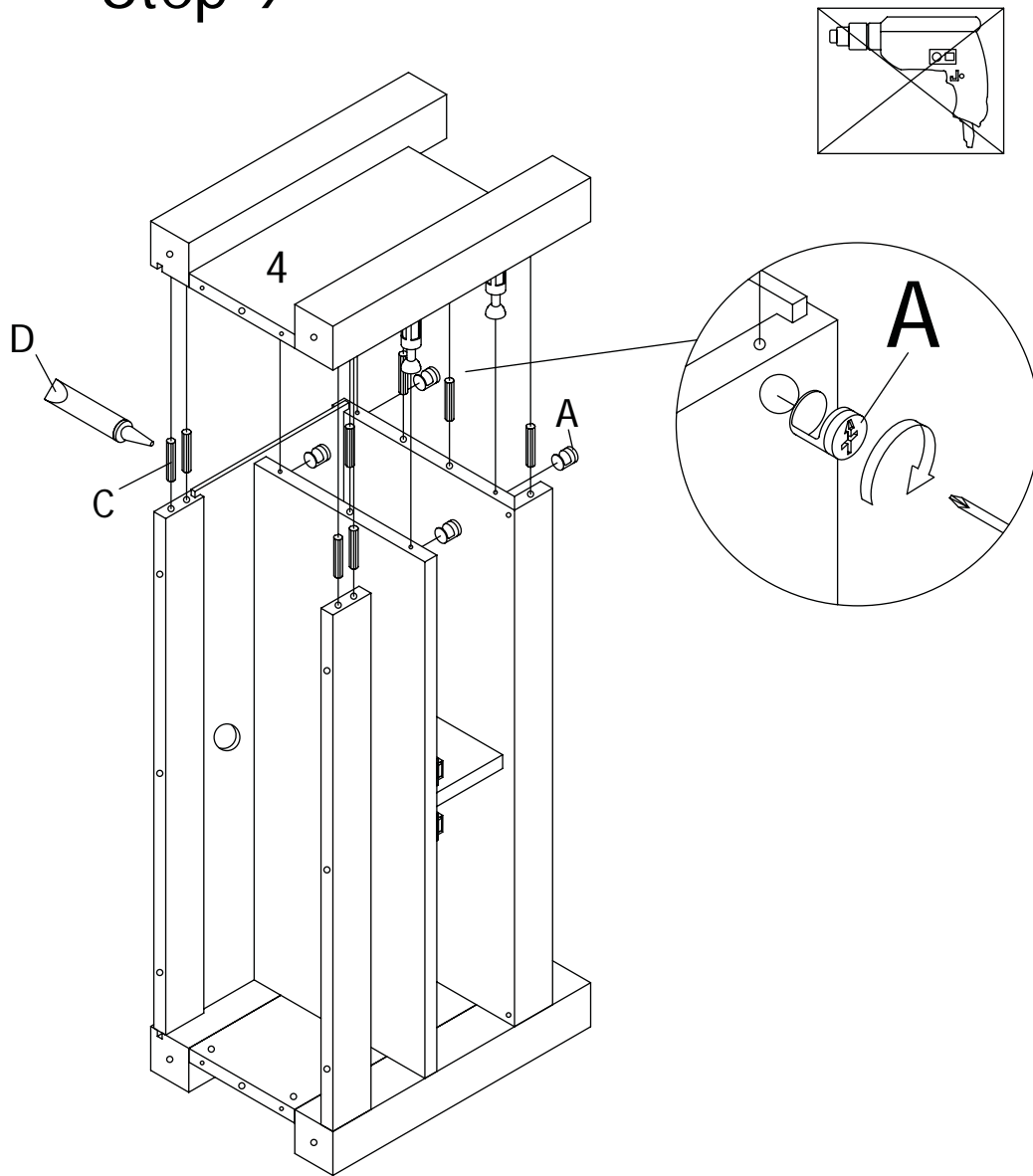
Slide back panel (14) into the stand frame until seated in the groove on the base as shown in the diagram above.

Step 8



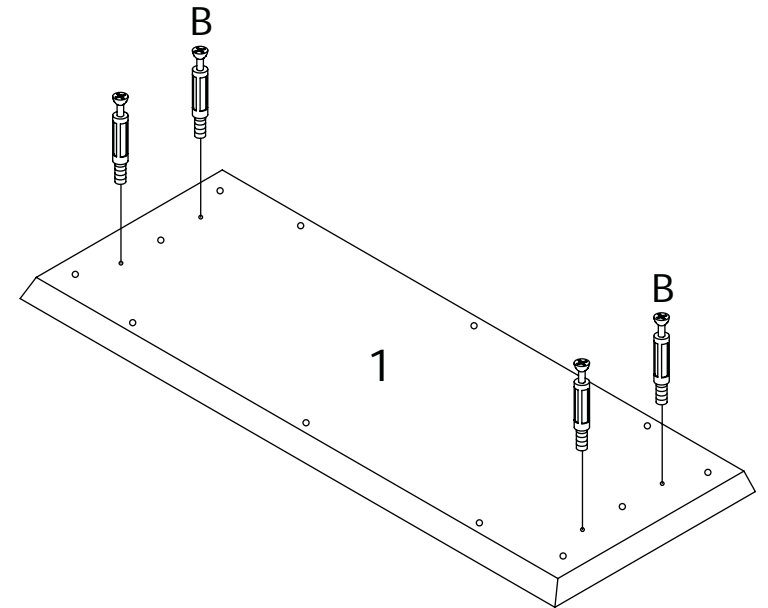
Insert dowels (C) into stand frame. (*Remember to apply glue (D)*)
Attach frame supports (12 & 13) to the stand frame as shown in the diagram.

Step 9



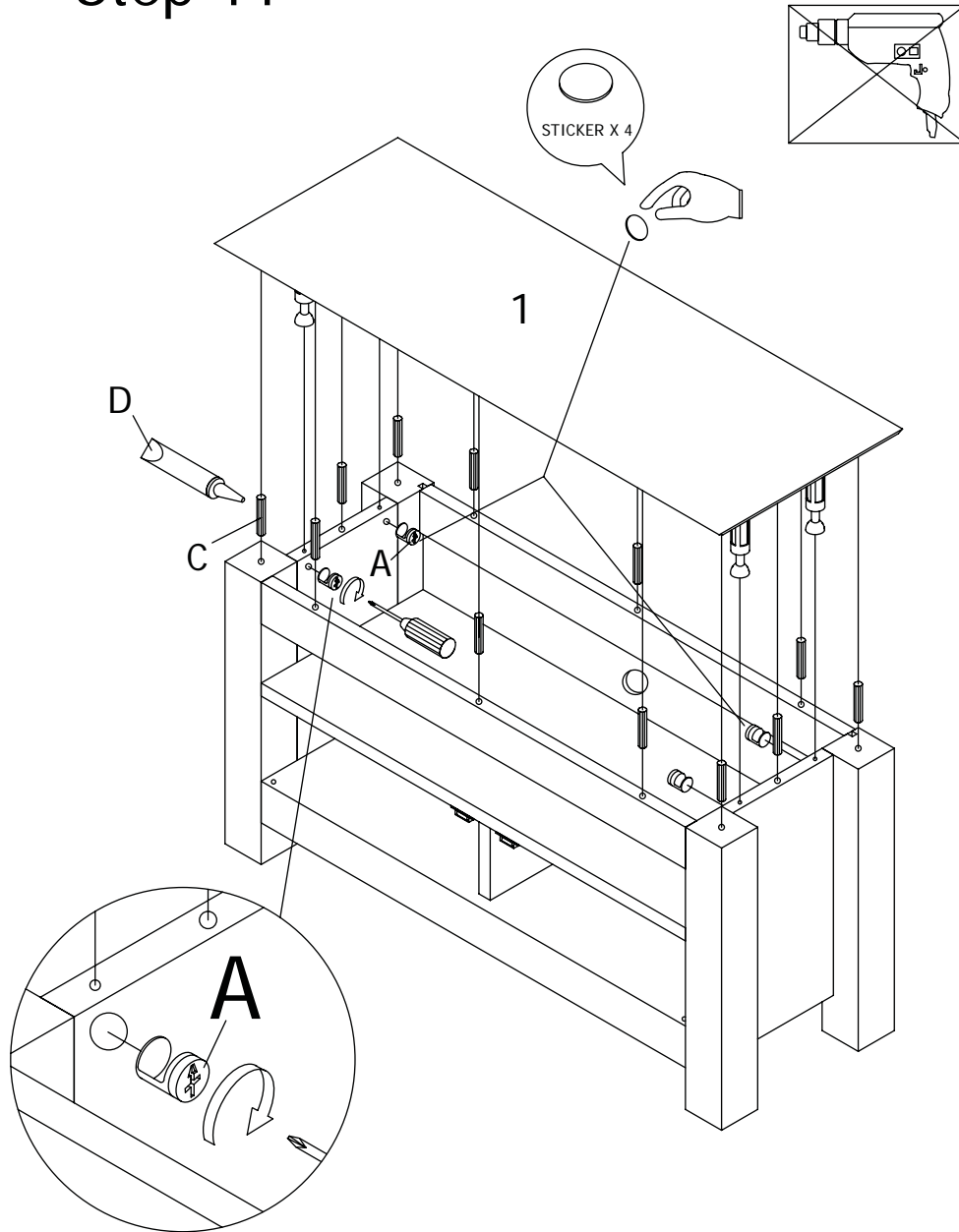
Insert dowels (C) into frame assembly. (Remember to apply glue (D))
Insert cam locks (A) into frame assembly. Attach right side assembly (4) to the frame assembly.
Tighten cam locks (A) using a screwdriver as shown in the diagram.

Step 10



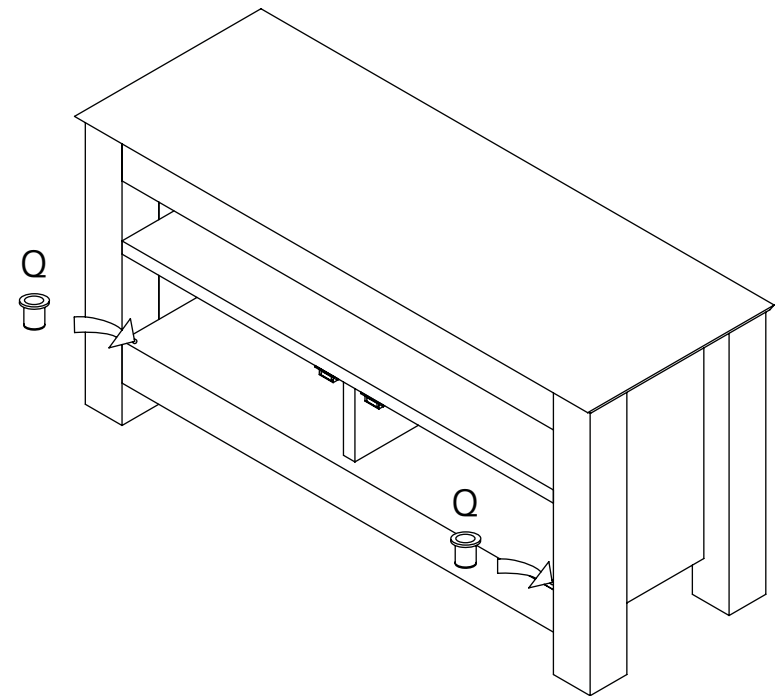
Insert cam bolts (B) into stand top (1) as shown in the diagram.

Step 11



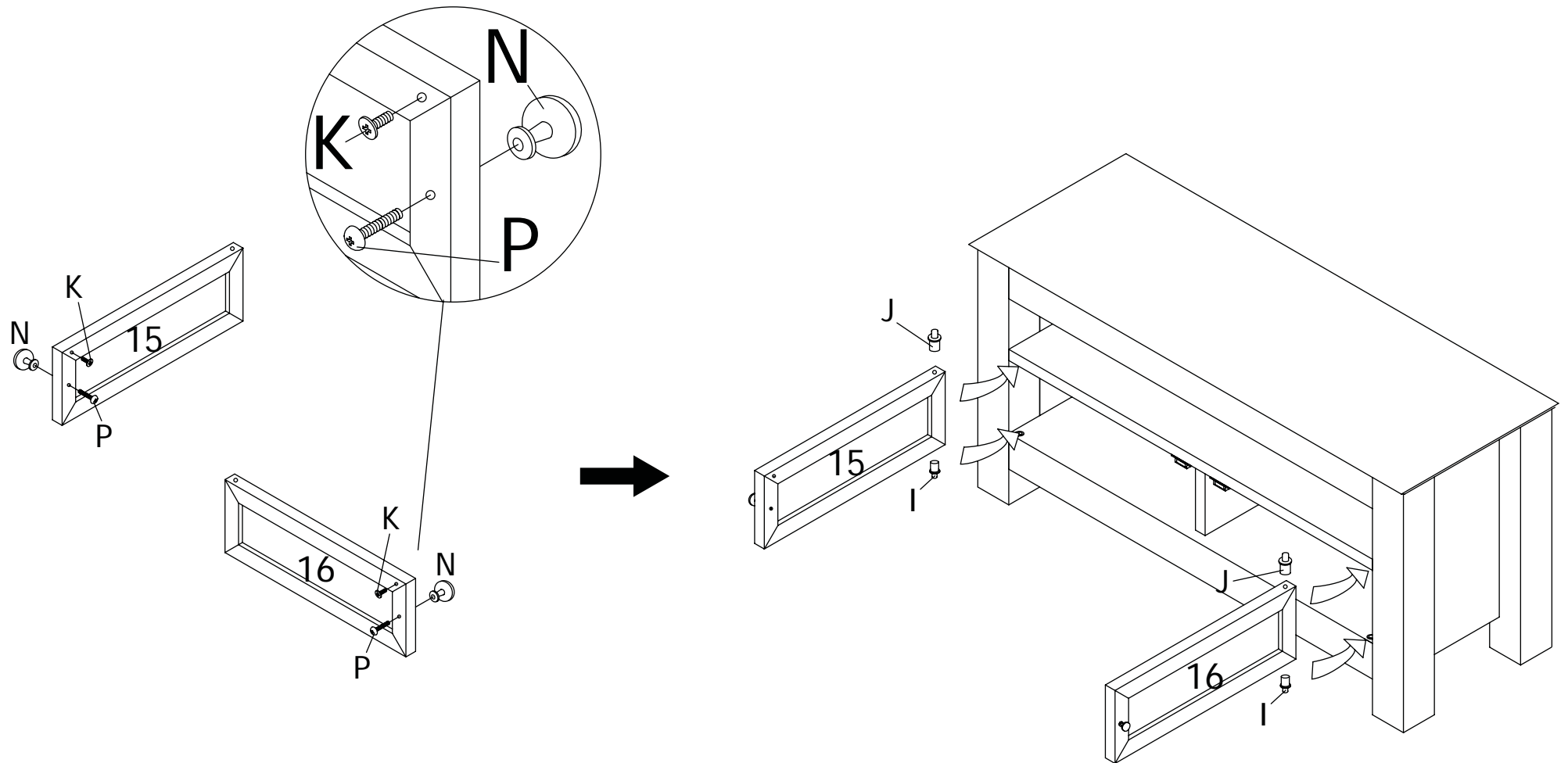
Insert dowels (C) into frame assembly. (Remember to apply glue (D))
Insert cam locks (A) into frame assembly. Attach stand top (1) to the frame assembly.
Tighten cam locks (A) using a screwdriver as shown in the diagram.
Place provided stickers over cam locks (A).

Step 12



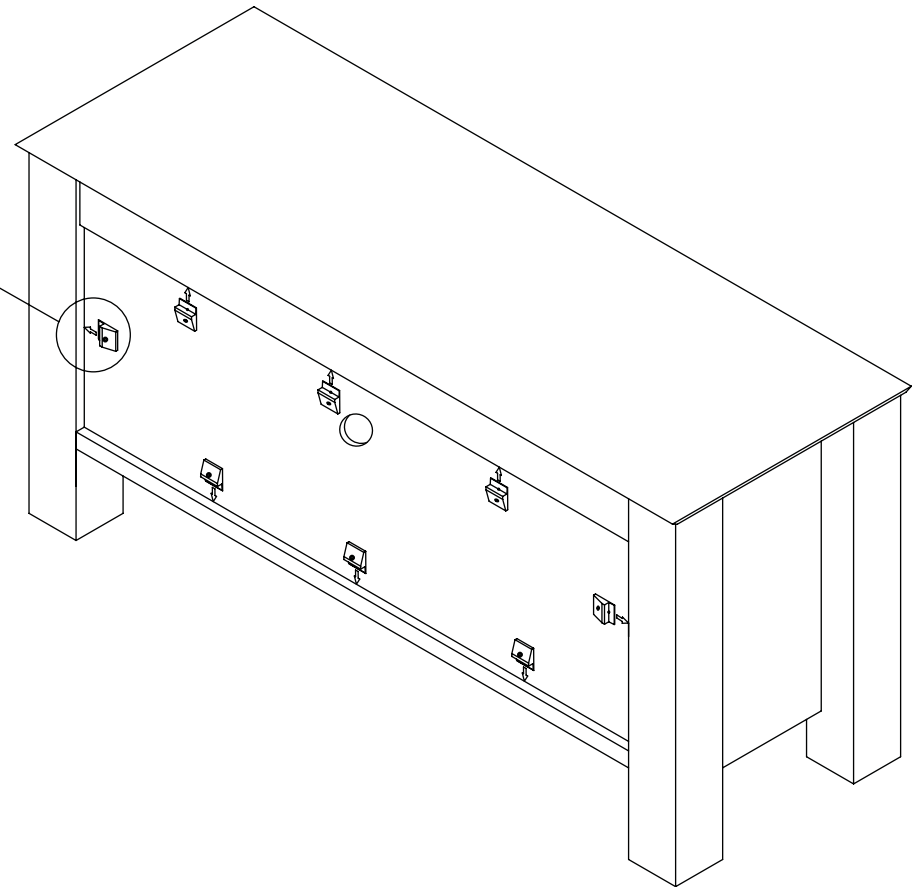
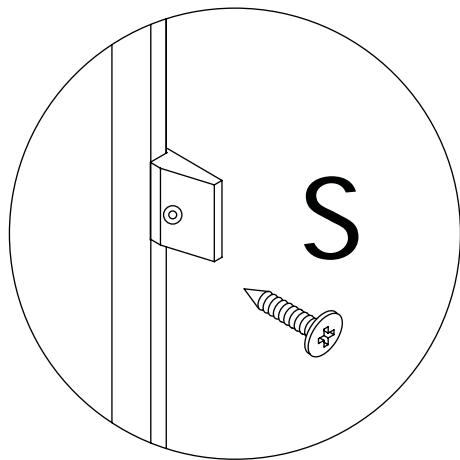
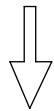
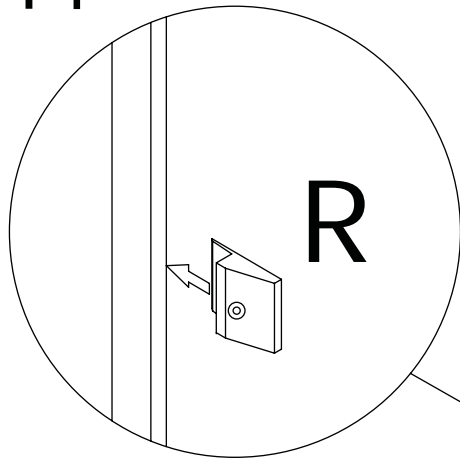
Insert the plastic pivots (Q) into the stand as shown in the diagram.

Step 13



Attach door handles (N) to doors (15&16) using screws (P). Attach screw (K) to the top corner of each door as shown in the diagram. Attach fixed door hinges (I) to the bottom shelf and sprung door hinges (J) to the middle shelf as shown in the diagram. Attach doors to stand.

Step 14



Insert plastic wedges (R) between the stand frame and the back panel as shown in the diagram. Fasten plastic wedges to the back panel using screws (S).