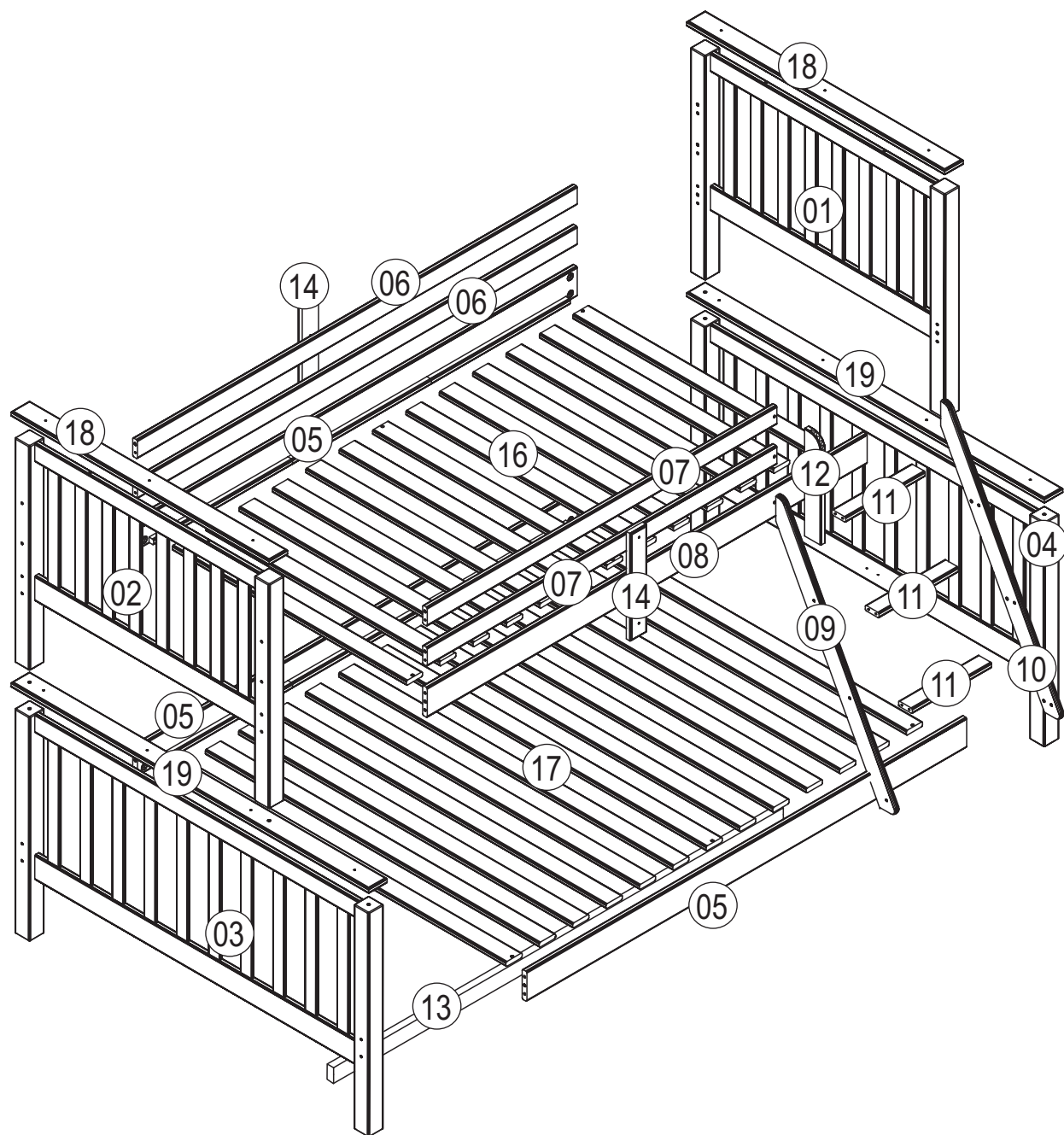
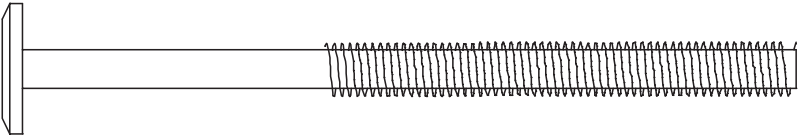

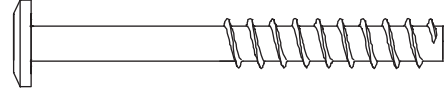
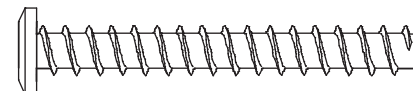


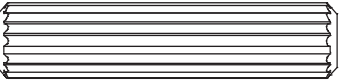
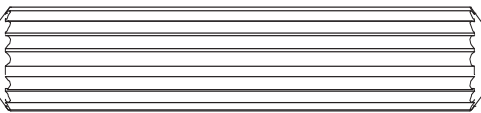
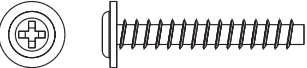

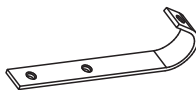
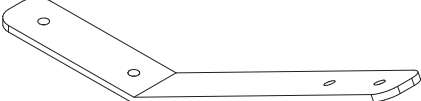
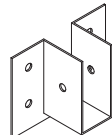

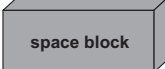


# TWIN FULL BUNK BED

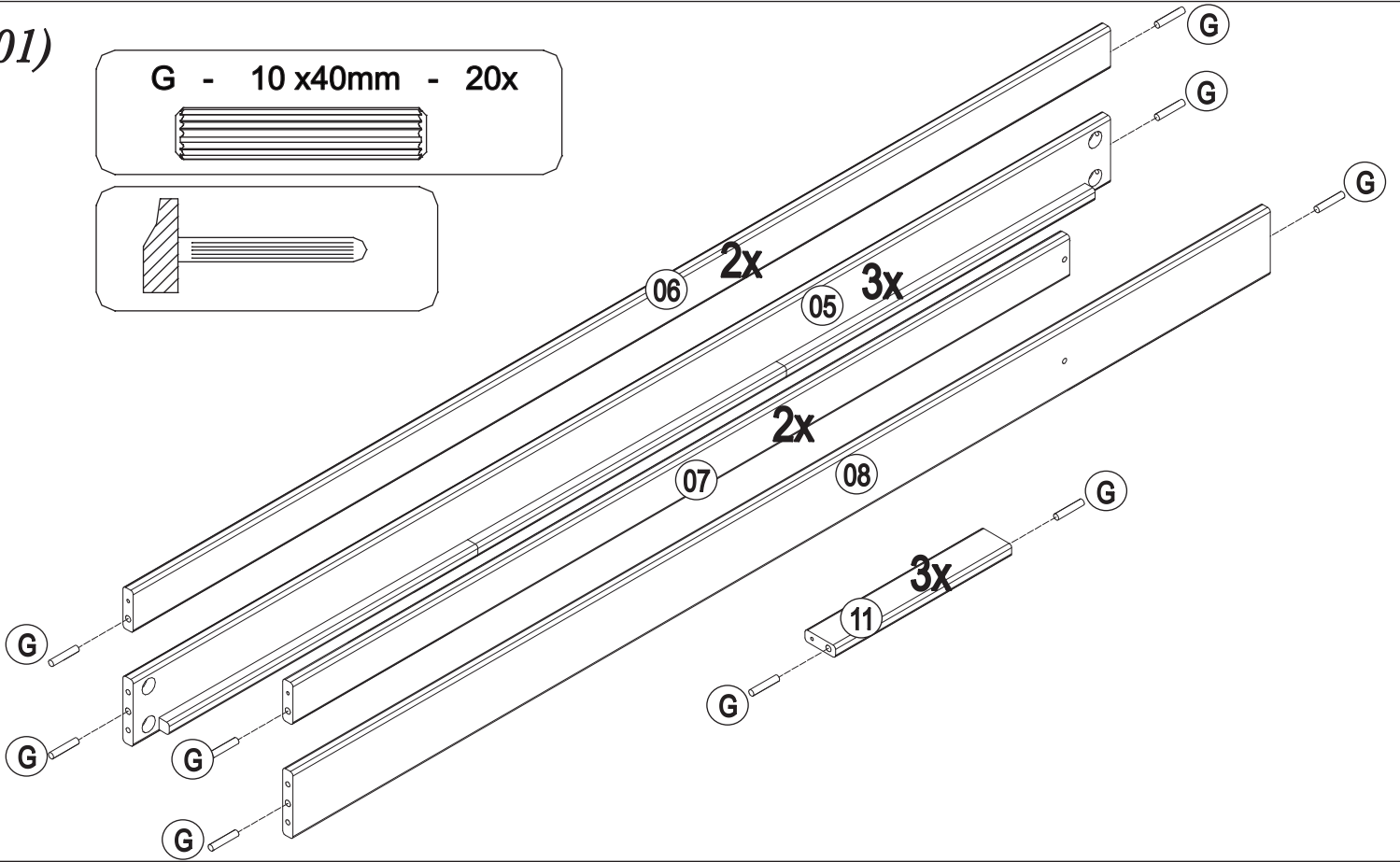




<b>A</b>	<b>16x</b>		<b>1/4" x 110 mm</b>
<b>B</b>	<b>16x</b>		<b>1/4"</b>
<b>C</b>	<b>06x</b>		<b>7,0 x 100 mm</b>
<b>D</b>	<b>09x</b>		<b>7,0 x 50 mm</b>
<b>E</b>	<b>01x</b>		<b>4,0 mm</b>
<b>F</b>	<b>66x</b>		<b>C.C - 4,0 x 35 mm</b>
<b>G</b>	<b>20x</b>		<b>10 x 40 mm</b>
<b>H</b>	<b>04x</b>		<b>15 x 90 mm</b>
<b>I</b>	<b>06x</b>		<b>C.Fl. - 4,0 x 35 mm</b>
<b>J</b>	<b>24x</b>		<b>C.C - 4,0 x 16 mm</b>
<b>K</b>	<b>02x</b>		
<b>L</b>	<b>02x</b>		
<b>M</b>	<b>02x</b>		
<b>N</b>	<b>02x</b>		<b>20g</b>
<b>O</b>	<b>02x</b>		

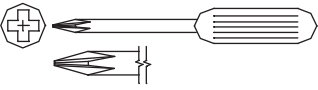
01)

G - 10 x 40 mm - 20x

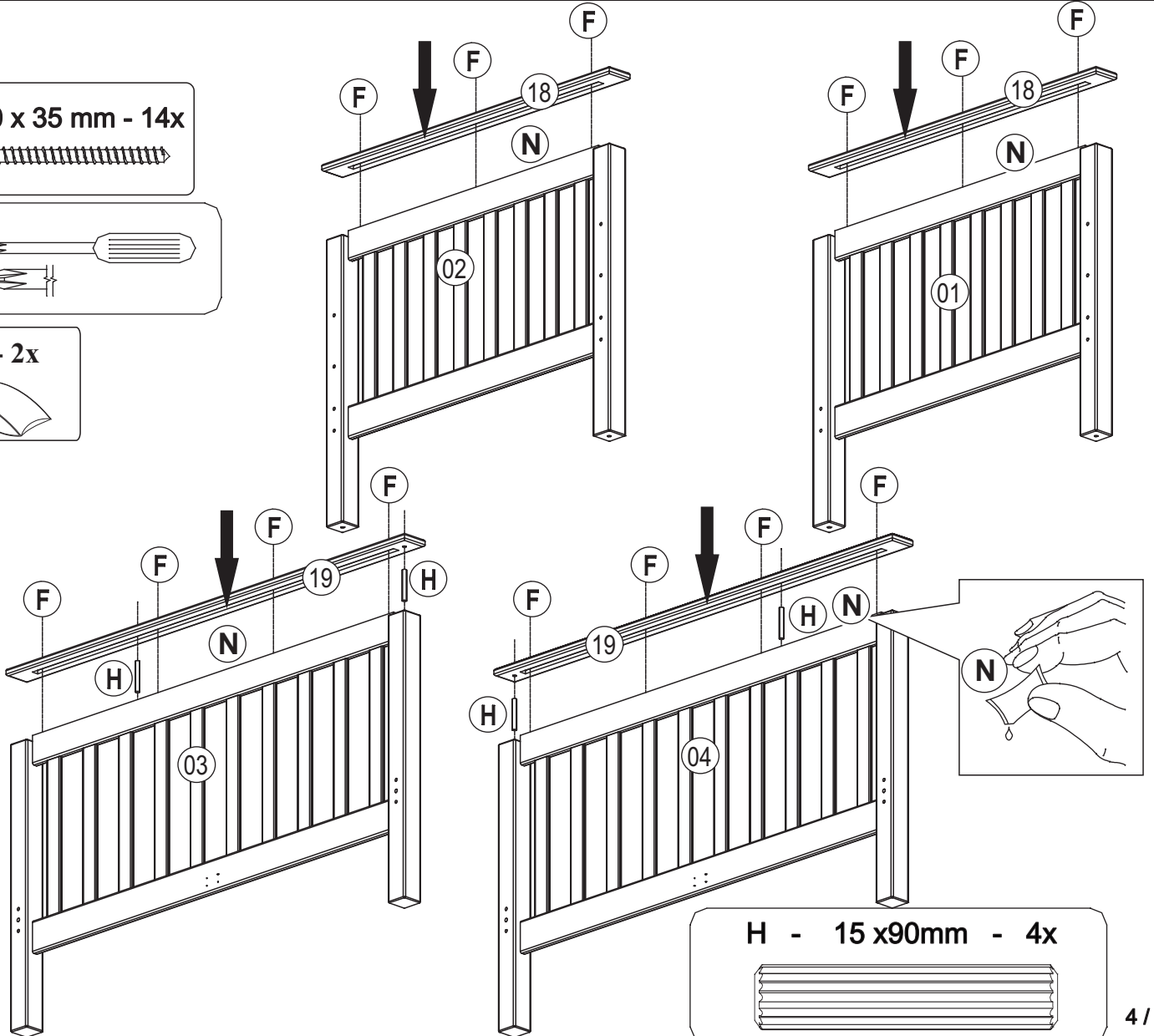


02)

F - 4,0 x 35 mm - 14x

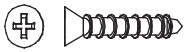


N - 2x

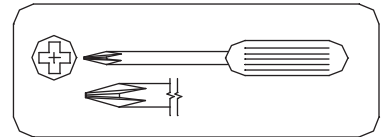
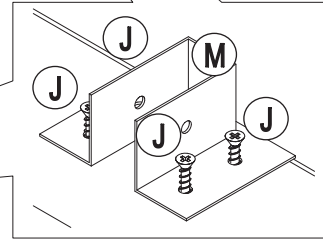
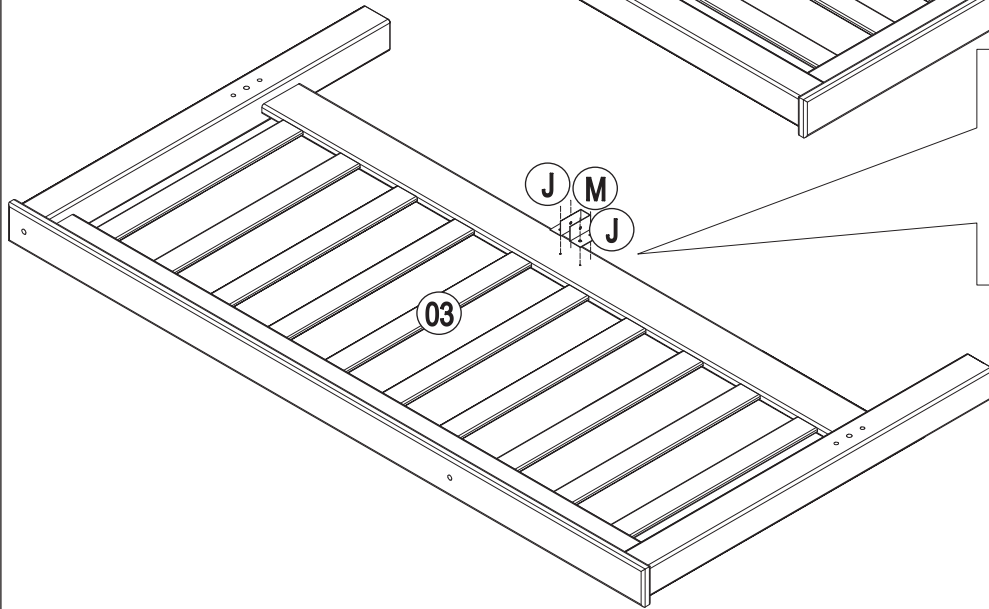
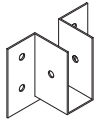


03)

J - 4,0 x 16 mm - 8x

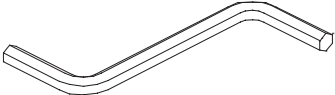


M - 2x

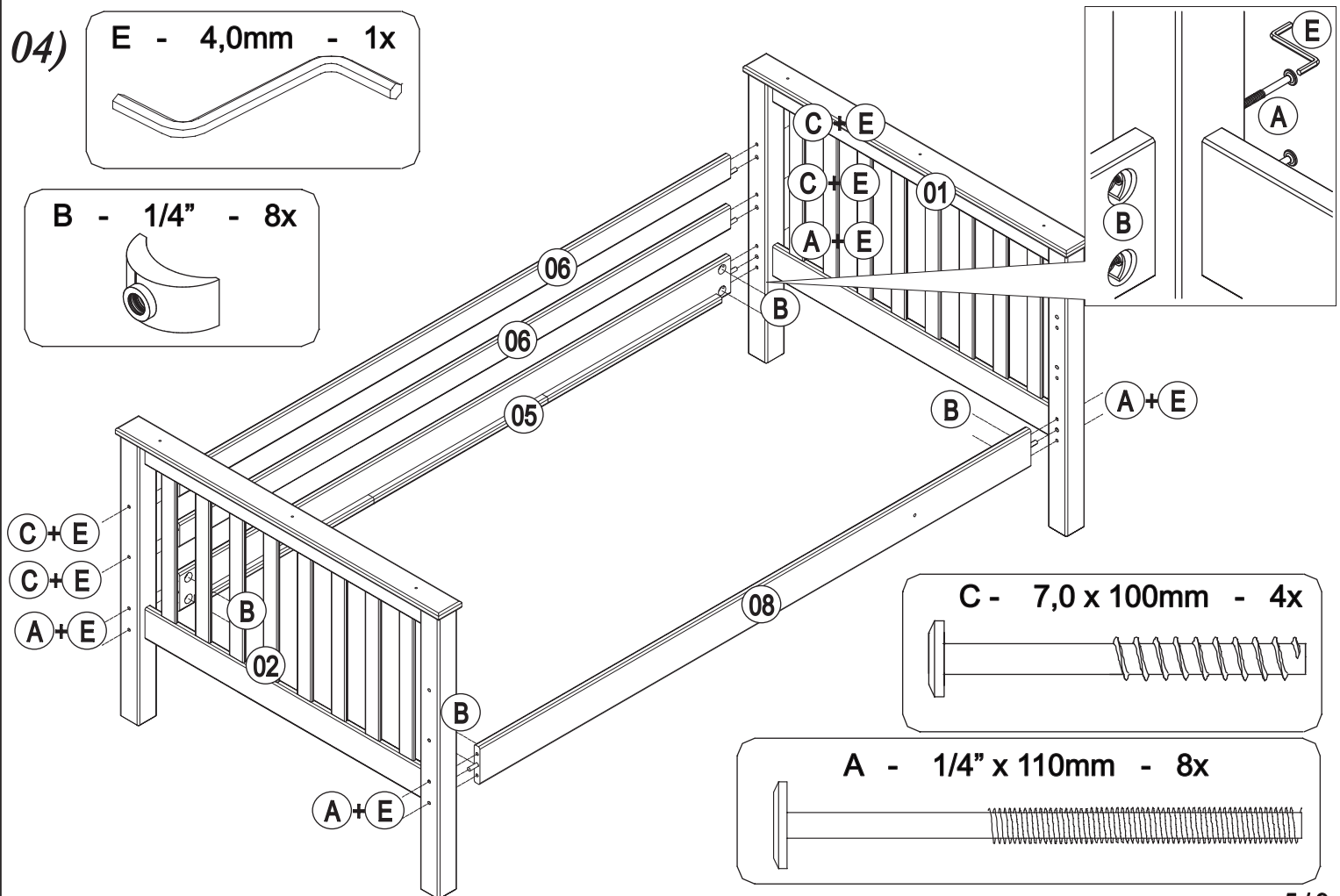
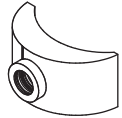


04)

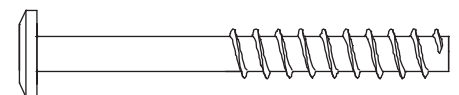
E - 4,0mm - 1x



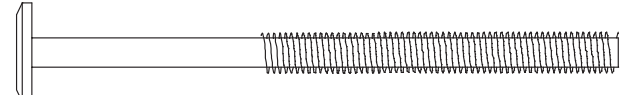
B - 1/4" - 8x



C - 7,0 x 100mm - 4x



A - 1/4" x 110mm - 8x

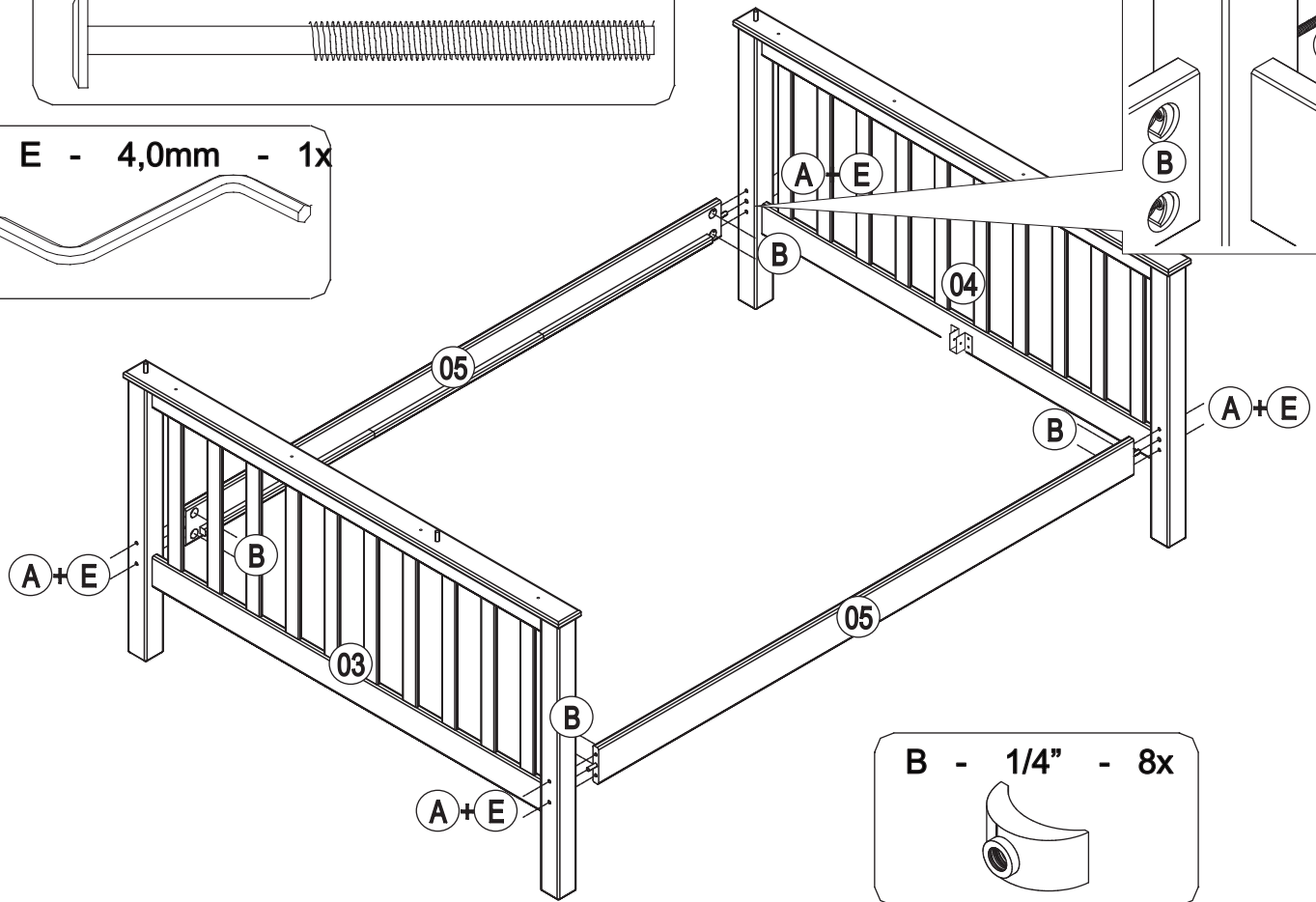
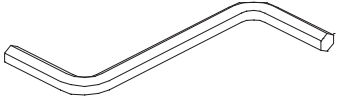


05)

A - 1/4" x 110mm - 8x



E - 4,0mm - 1x

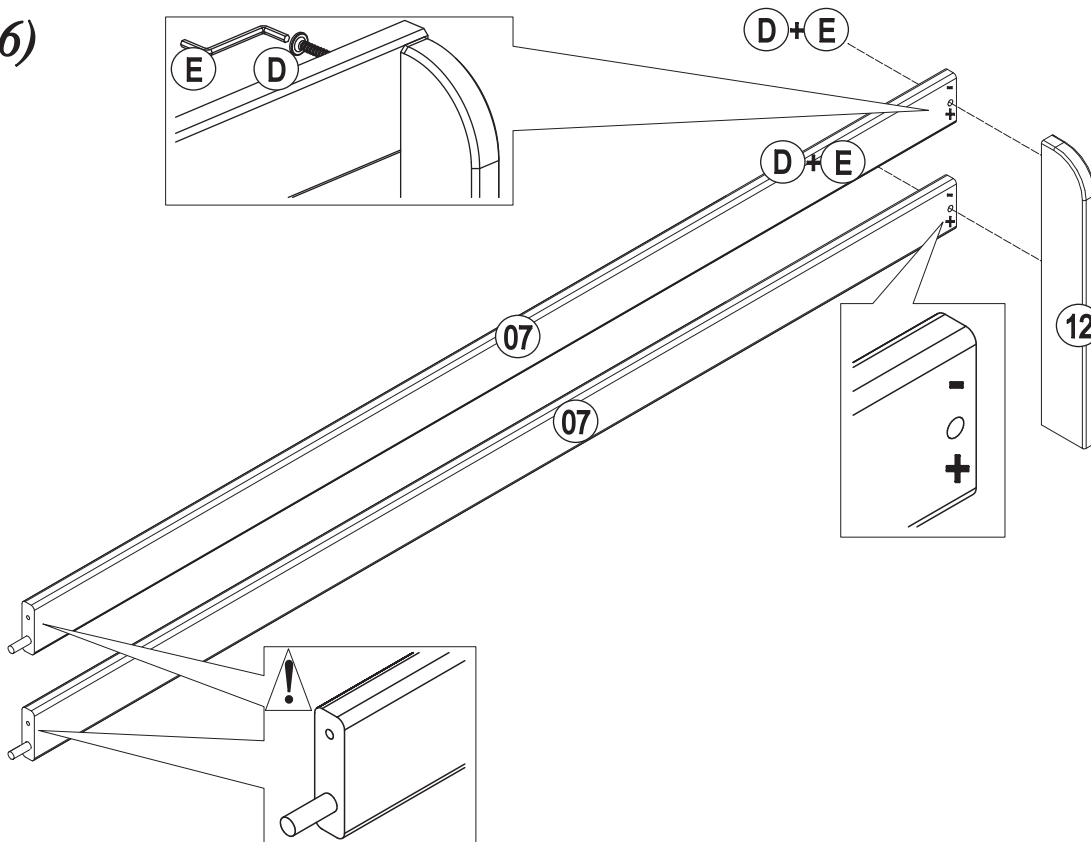
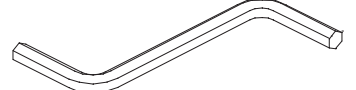


B - 1/4" - 8x

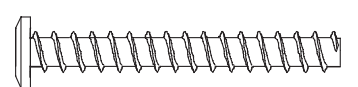
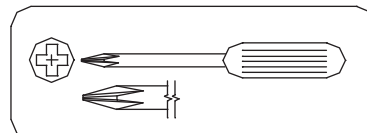


06)

E - 4,0mm - 1x



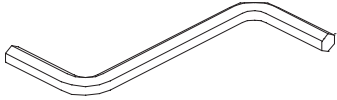
D - 7,0 x 50mm - 2x



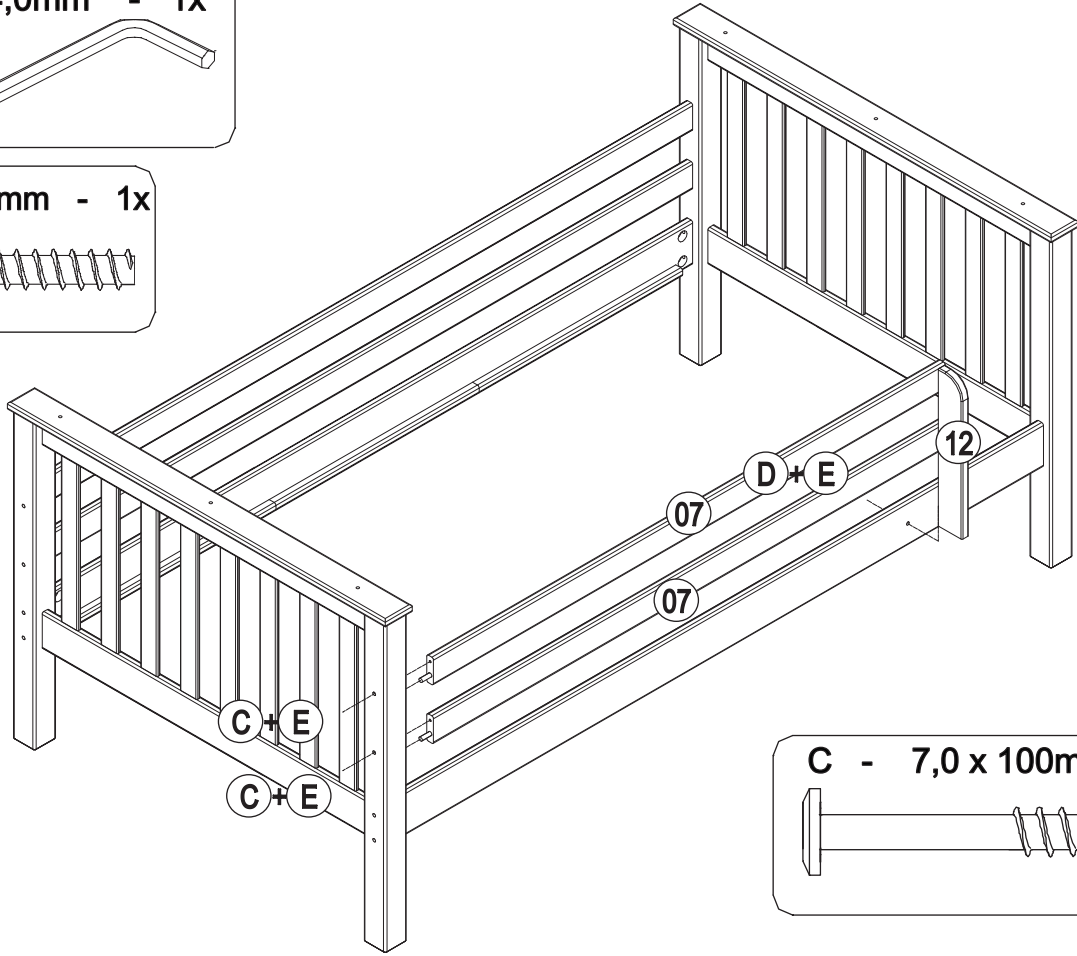
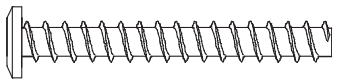


07)

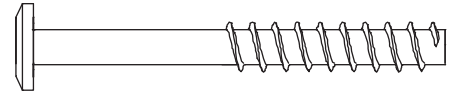
E - 4,0mm - 1x



D - 7,0 x 50mm - 1x

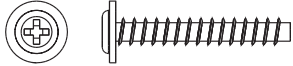


C - 7,0 x 100mm - 2x



08)

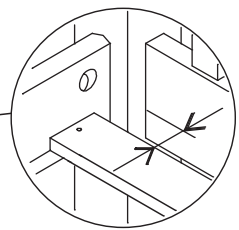
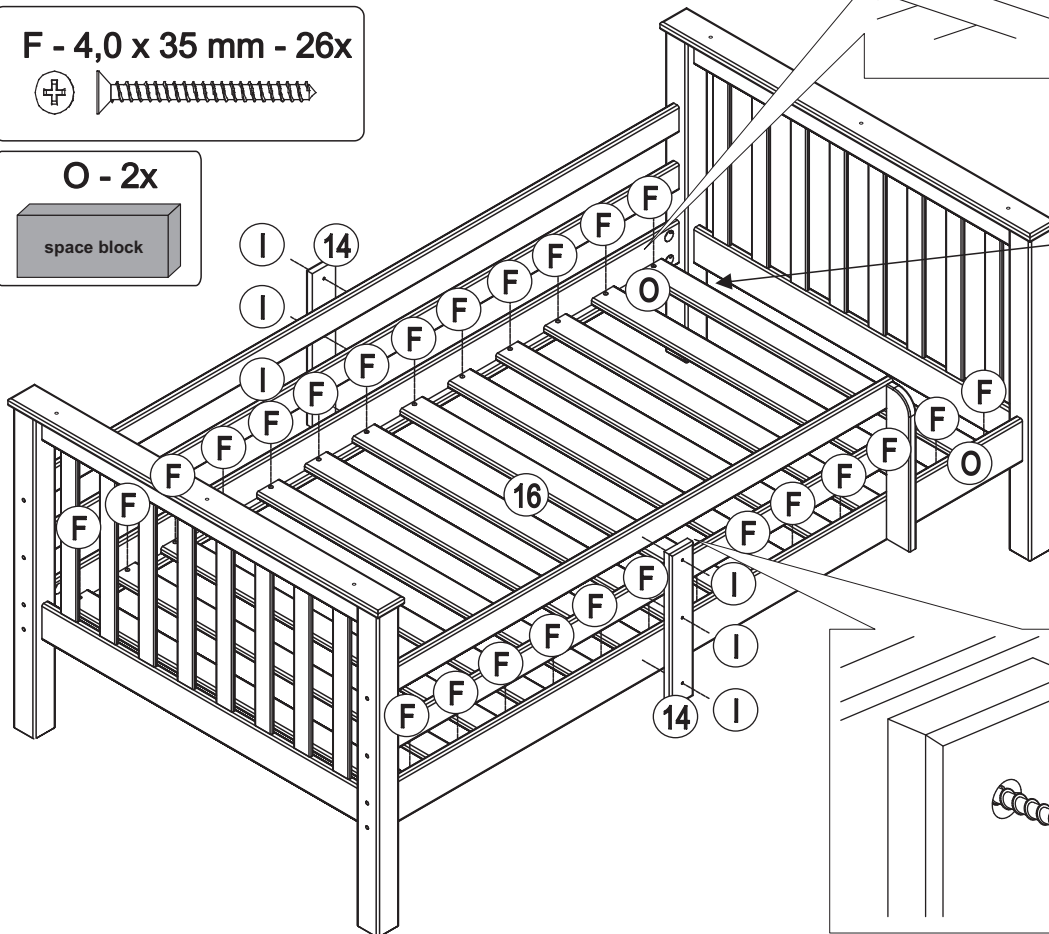
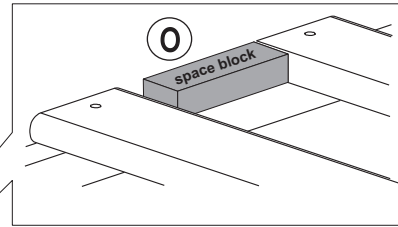
I - 4,0 x 35 mm - 6x



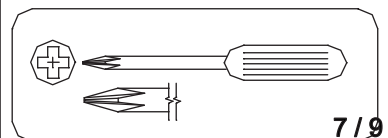
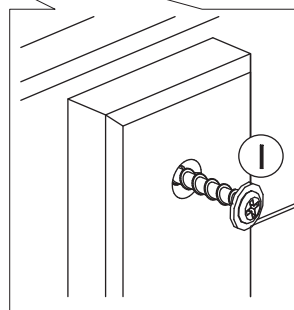
F - 4,0 x 35 mm - 26x



O - 2x

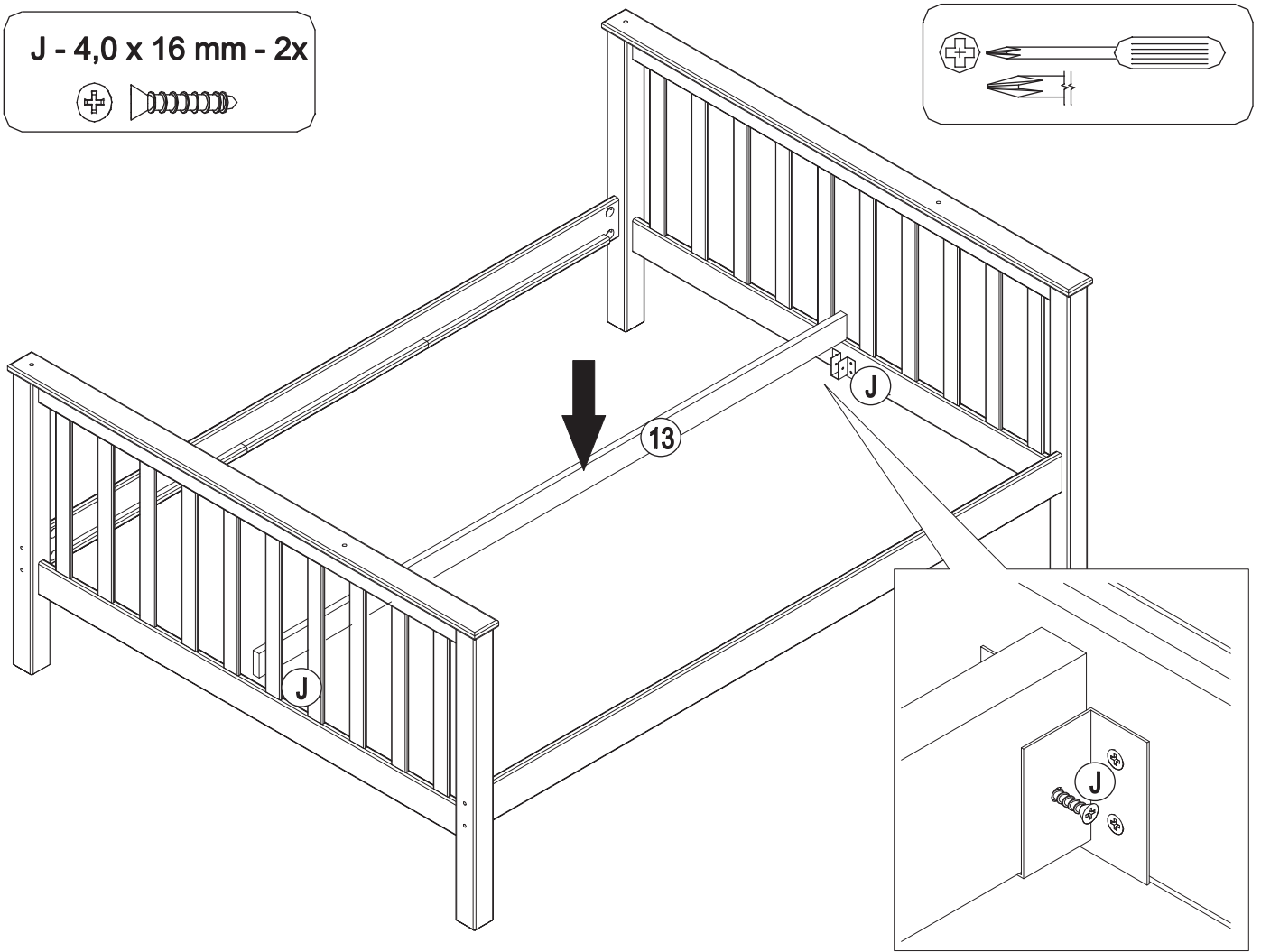
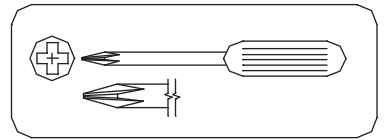


Distance between slat and bed end must be 3"1/4"



09)

J - 4,0 x 16 mm - 2x

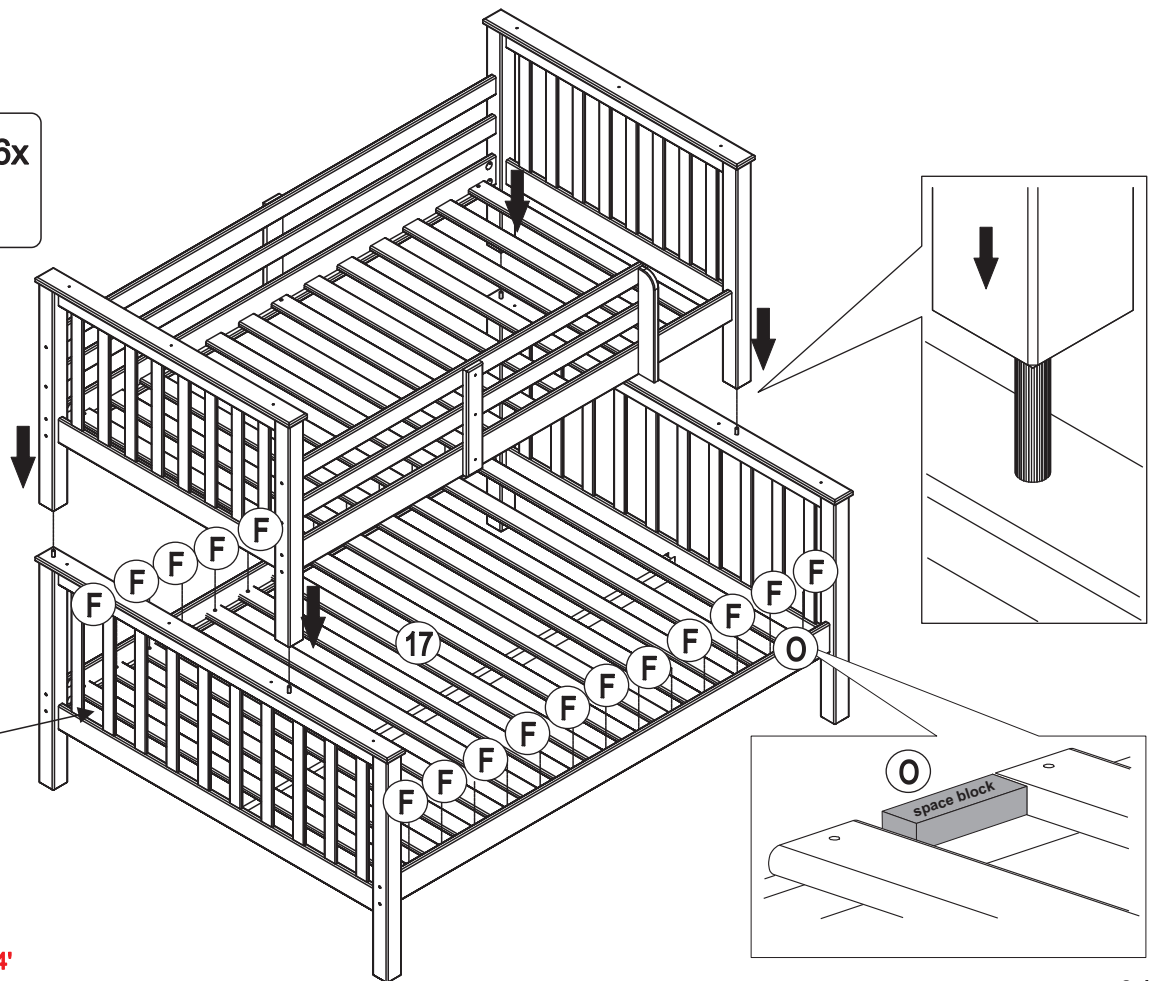


10)

F - 4,0 x 35 mm - 26x



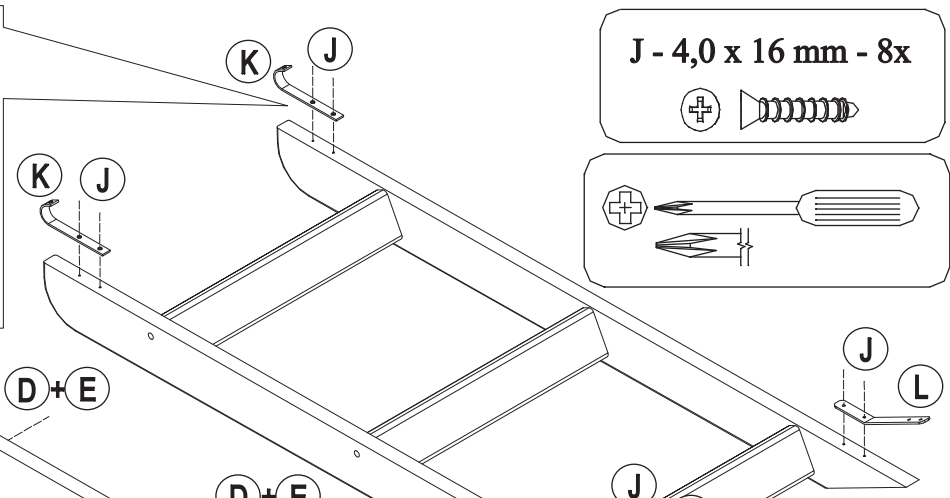
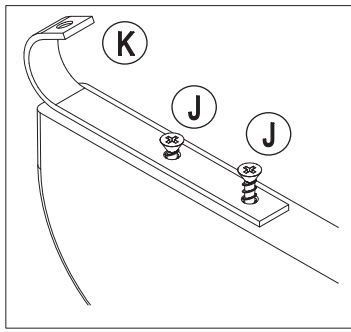
O - 2x



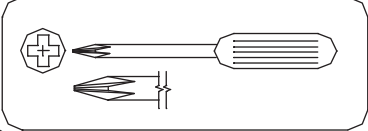
Distance between slat and bed end must be 3"1/4'



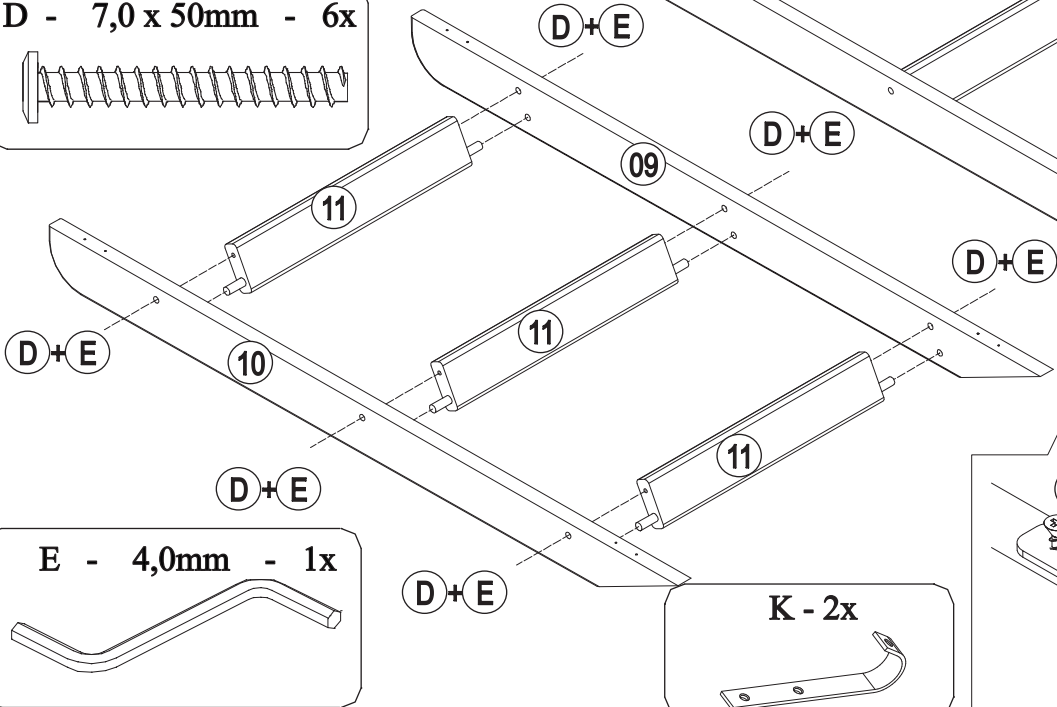
11)



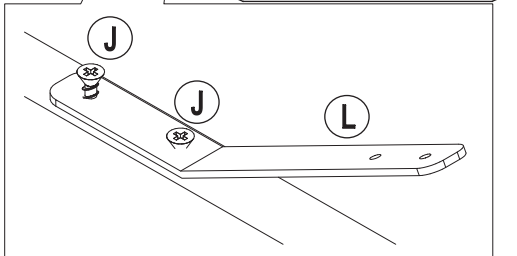
J - 4,0 x 16 mm - 8x



D - 7,0 x 50mm - 6x



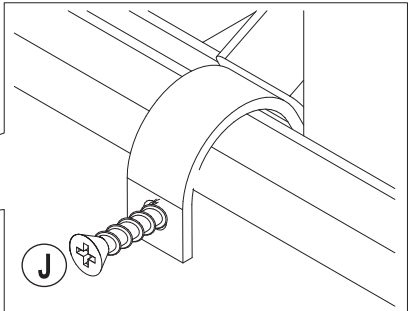
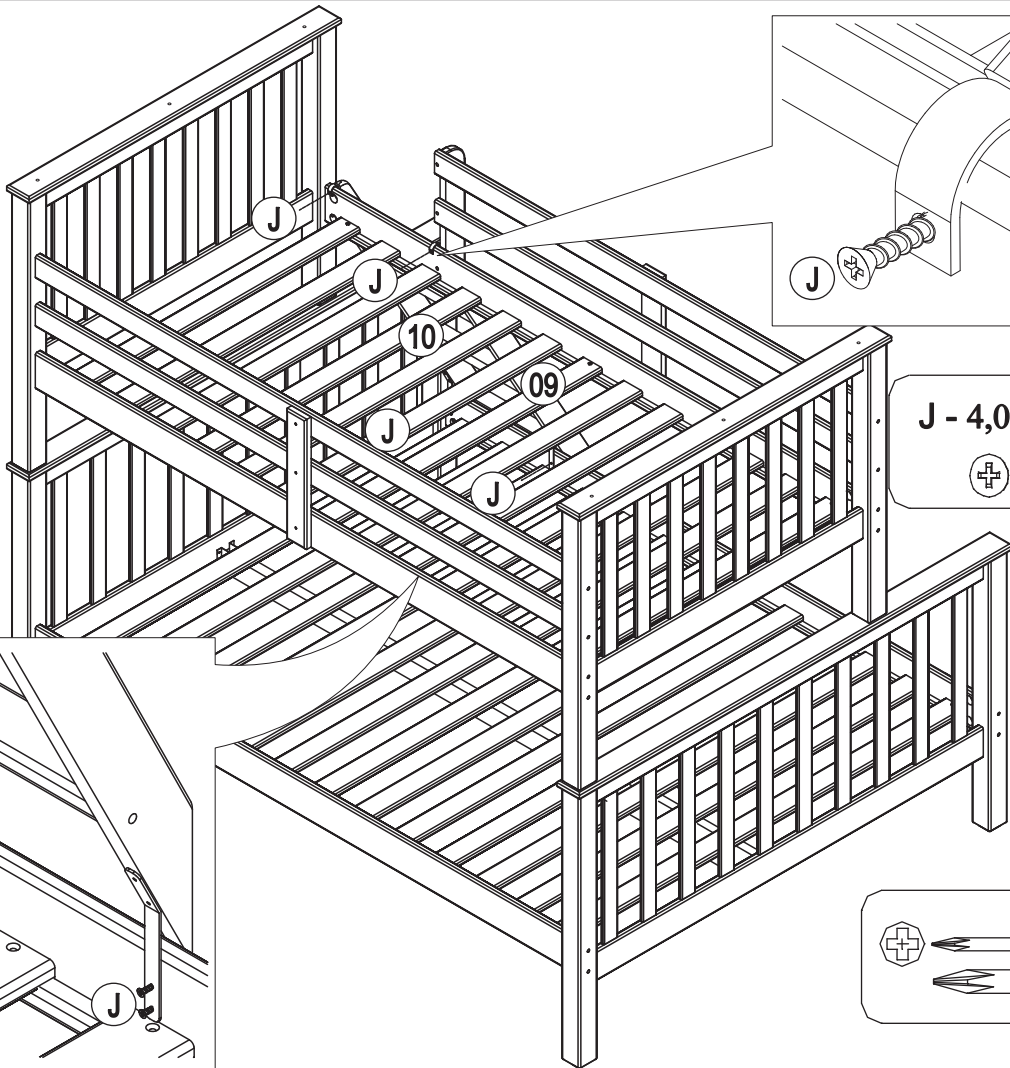
L - 2x



E - 4,0mm - 1x

K - 2x

12)



J - 4,0 x 16 mm - 6x

