

Zhane Linear Suspension (LED)

700LSZHN_-LED 1.0



GENERAL PRODUCT INFORMATION:



This product can mount to either a 4" square electrical box with a round plaster ring or an octagon electrical box.

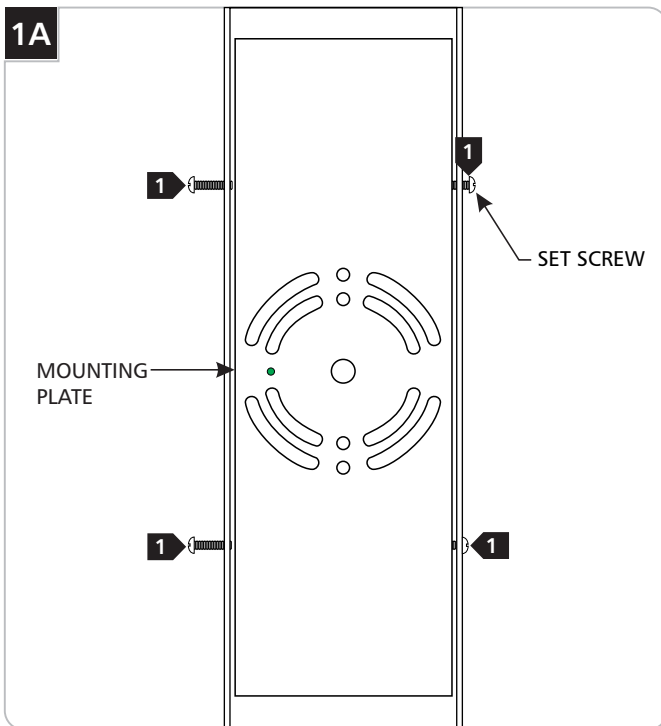
This product is suitable for damp locations.

This instruction shows a typical installation.

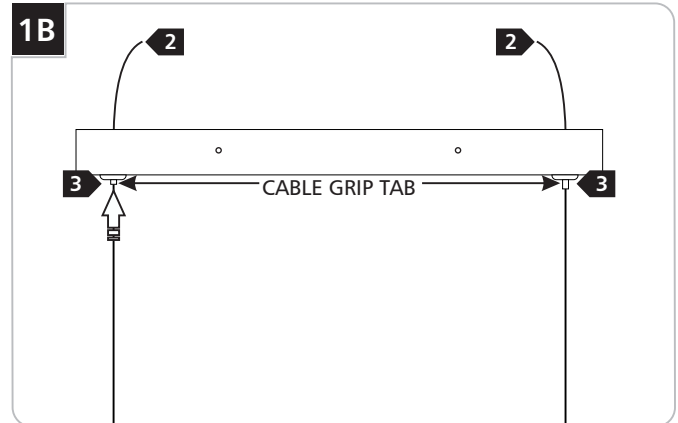
CAUTION: To reduce the risk of a burn or electric shock during relamping, disconnect the power to the fixture.



Assemble the Fixture



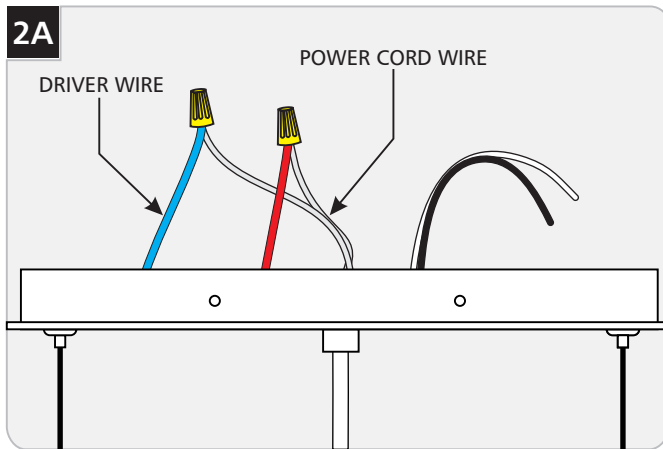
- 1** Unscrew the four set screws from the canopy and remove the mounting plate.



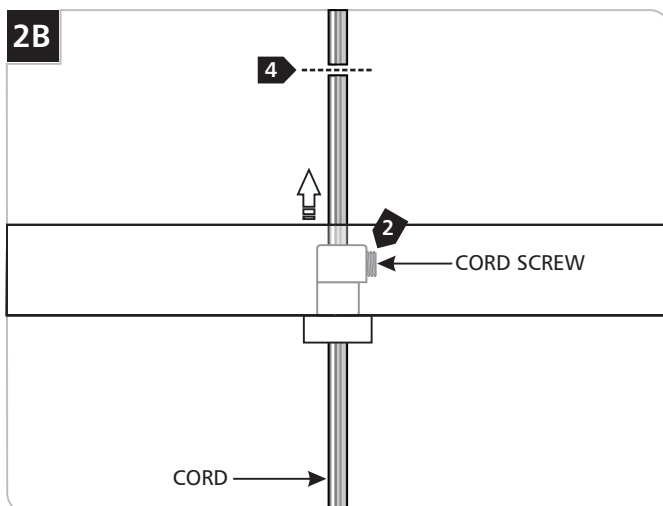
NOTE: When cutting the support cable to desired length, leave extra cable for fine tune leveling.

- 2** To change the drop height of the fixture, cut each of the support cables to the same desired length.
- 3** Push the tab down on the cable grip and feed the support cable into the cable grip post. Repeat this step for both support cables.
- 4** To level the fixture, push the tab on the cable grip and feed more or less of the support cable into the cable grip. Make fine adjustments to each cable until the fixture is level.

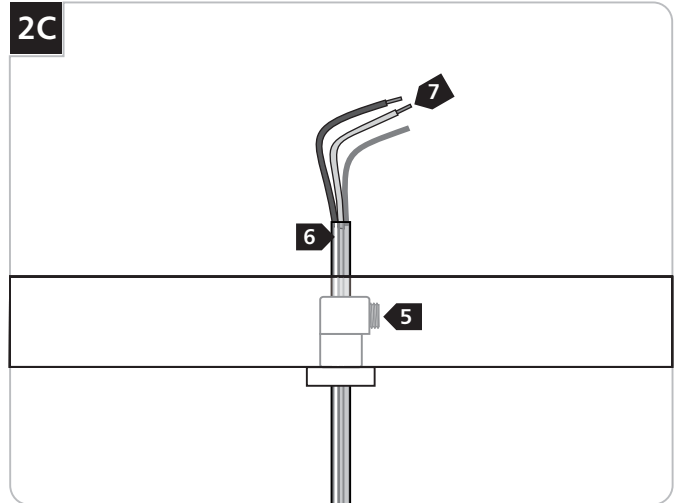
Adjust the Power Cord



- 1 Take note of the wire connections and remove the wire nuts to disconnect the power cord wires from the driver wires.



- 2 Loosen the cord screw.
- 3 Pull the power cord through the canopy until it reaches the length desired.
NOTE: The power cord does not support the chandelier, and does not have to be tight. For a casual "lazy cord" look, cut the power cord several inches longer than the drop height of the chandelier.
- 4 Leave 6 inches of cord behind the canopy and cut off extra cord.

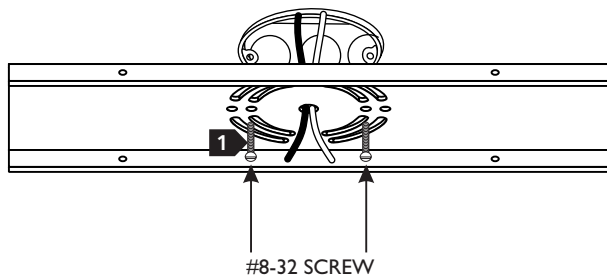


- 5 Tighten the cord screw.
- 6 From the end of the cord, strip the insulation 4" using a sharp knife. **Make sure not to nick the inner wires.**
- 7 Cut off the extra cord, strip 1/2" off the wire ends, and reconnect the power cord wires to their original connections (reversal of 2A).

NOTE: It is recommended that one person hold the fixture while the electrician connects the power and installs the canopy.

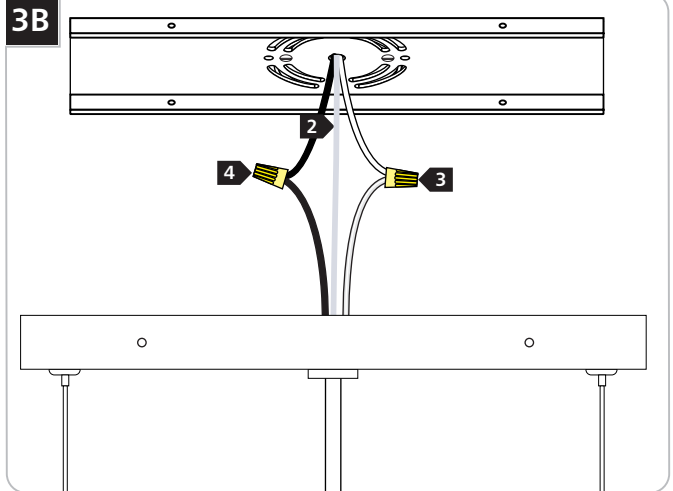
Install the Fixture

3A



- 1 Attach the mounting plate to the electrical box using the two #8-32 screws provided.

3B



- 2 Connect the fixture to a suitable ground in accordance with local electrical codes.
- 3 Connect the white driver wire to the neutral power line wire with a wire nut.
- 4 Connect the black driver wire to the hot power line wire with a wire nut.
- 5 Remount the canopy to the mounting plate and secure it by reinstalling and tightening the four screws. (Reversal of figure 1A.)

SAVE THESE INSTRUCTIONS!



TECH LIGHTING®

7400 Linder Ave, Skokie, IL 60077
847.410.4400

www.techlighting.com

© 2013 Tech Lighting, L.L.C. All rights reserved. The "Tech Lighting" graphic is a registered trademark of Tech Lighting, L.L.C. Tech Lighting reserves the right to change specifications for product improvements without notification.
A Generation Brands Company