

BATH COLLECTION

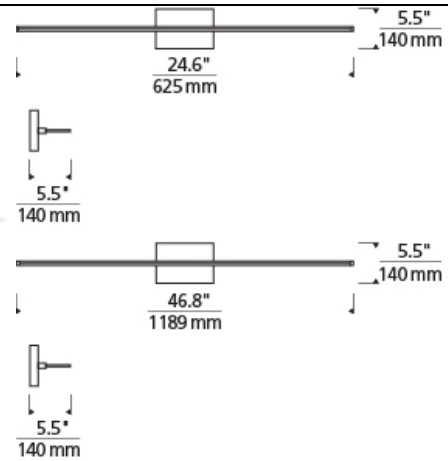
Span Bath

DESCRIPTION

This ultra-thin, modern bath bar is made possible through the use of edge-lit LED light guide technology. What appears to be a simple plate of frosted glass when off, then illuminates across the entire surface as if the light is coming out of thin air. May be mounted horizontally only. 2' version includes 20 watt, 1300 net lumens; 4' version includes 40 watt, 2600 net lumens both in 3000K LED. LED version dimmable with low-voltage electronic dimmer.

WEIGHT

2.93lb / 1.33kg ±



ORDERING INFORMATION

700BCSPAN	LENGTH (A)	FINISH	LAMP
	2 24"	S SATIN NICKEL	-LED830 LED 3000K 80 CRI 120V
	4 48"		



TECH LIGHTING®

7400 Linder Avenue
Skokie, Illinois 60077

T 847.410.4400
F 847.410.4500

Tech Lighting, L.L.C.

700BCSPAN _____

FIXTURE TYPE: _____

JOB NAME: _____

NOTES: _____



©2014 Tech Lighting, L.L.C. All Rights Reserved. The "Tech Lighting" graphic is a registered trademark of Tech Lighting, L.L.C. Tech Lighting reserves the right to change specifications for product improvements without notification.