

FLUSH & SEMI-FLUSH MOUNT

Finch Float Flush Mount Ceiling



DESCRIPTION

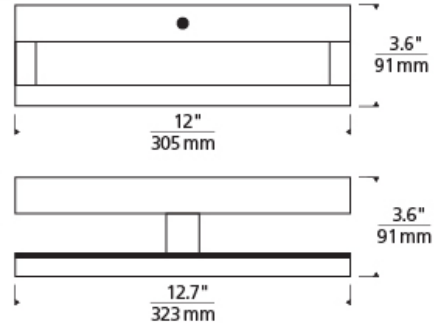
Clean lines and edge-lit LED light guide technology combine in this modern flush mount that "floats" just below the ceiling. Round includes 30 watt, 1950 net lumen, 3000K LED. Square includes 20 watt, 1200 net lumen, 3000K LED. Dimmable with low-voltage electronic dimmer.

INSTALLATION

This product can mount to either a 4" square electrical box with round plaster ring or an octagonal electrical box (not included).

WEIGHT

5.13lb / 2.33kg ±



ORDERING INFORMATION

700FMFINF	SHAPE OR SIZE	FINISH	LAMP
R	ROUND	Z ANTIQUE BRONZE	-LED830 LED 3000K 80 CRI 120V
S	SQUARE	S SATIN NICKEL	-LED830-277 LED 3000K 80 CRI 277V



TECH LIGHTING®

7400 Linder Avenue
Skokie, Illinois 60077

T 847.410.4400
F 847.410.4500

Tech Lighting, L.L.C.

700FMFINF _____

FIXTURE TYPE: _____

JOB NAME: _____

NOTES: _____



©2014 Tech Lighting, L.L.C. All Rights Reserved. The "Tech Lighting" graphic is a registered trademark of Tech Lighting, L.L.C. Tech Lighting reserves the right to change specifications for product improvements without notification.