

LINE-VOLTAGE PENDANTS/SUSPENSION

Modele Pendant



DESCRIPTION

Part of our collection of fixtures produced by EGIZIA, an Italian company known the world over for its incredible silk-screening techniques, three new patterns on hand-blown Italian glass are brought to life as light shines through a wide cylinder from an elegant frosted inner glass diffuser. Precious metal versions ship with disposable polishing cloths to ensure the metals retain their luster over time. Includes 120V, 60 watt BT15 halogen lamp or GX24Q-3 base 26w triple tube compact fluorescent lamp. Fixture is provided with six feet of field-cuttable cable. Incandescent version dimmable with standard incandescent dimmer.

INSTALLATION

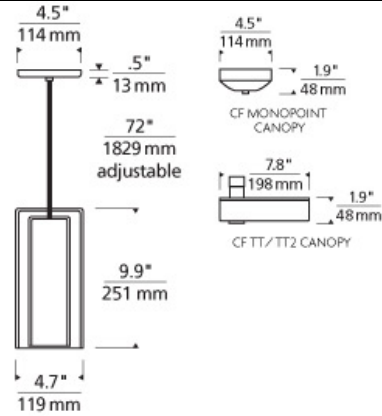
This product can mount to either a 4" square electrical box with round plaster ring or an octagon electrical box.

WEIGHT

3.69lb / 1.67kg ±



pumpkin/arabesque



COLOR OPTIONS



brown/floral



ivory/floral



polished
gold/chain-link



pumpkin/arabesque



sterling
silver/chain-link



teal/arabesque



white/arabesque

ORDERING INFORMATION

700	SYSTEM	MODP	COLOR	FINISH	LAMP
TD	LINE-VOLTAGE PENDANTS/SUSPENSION		NF BROWN/FLORAL	Z ANTIQUE BRONZE	INCANDESCENT 120V
TT	SINGLE-CIRCUIT T-TRAK		IF IVORY/FLORAL	B BLACK	-CF COMPACT FLUORESCENT 120V
TT2	TWO-CIRCUIT T-TRAK		GL POLISHED GOLD/CHAIN-LINK	S SATIN NICKEL	-CF277 COMPACT FLUORESCENT 277V
			OA PUMPKIN/ARABESQUE	W WHITE	
			SL STERLING SILVER/CHAIN-LINK		
			TA TEAL/ARABESQUE		
			WA WHITE/ARABESQUE		

TD includes 4.5" Round Canopy.

Antique Bronze and Black Finish Only Available on TD.

CF277 Lamp Only Available on TD.



7400 Linder Avenue T 847.410.4400
Skokie, Illinois 60077 F 847.410.4500

Tech Lighting, L.L.C.

700 ____ MODP ____

FIXTURE TYPE: _____

JOB NAME: _____

NOTES: _____
