

LINE - VOLTAGE PENDANTS / SUSPENSION

Stratton Pendant

DESCRIPTION

The ultimate marriage of industrial design and modern elegance starts with a large-scale, hand-blown glass shade and ends with a decorative metal housing garnished with a riveted canvas detail. The light source is hidden inside the metal cap leaving the beautiful, transparent Italian glass left uninterrupted. A hexcell louver sits below the light source to eliminate glare when viewed from below. Small includes 120V, 39 watt Halogen PAR 20 lamp or 15 watt, 975 net lumen, 2700K or 3000K field replaceable LED module. Large includes 120V, 60 watt Halogen PAR 30 lamp or 22 watt, 1400 net lumen, 2700K or 3000K field replaceable LED module. Fixture provided six feet of field-cuttable cloth cord to match finish selection. LED version dimmable with low-voltage electronic dimmer.

INSTALLATION

This product can mount to either a 4" square electrical box with round plaster ring or an octagonal electrical box (not included).

WEIGHT

13.80lb / 6.26kg ±

COLOR OPTIONS



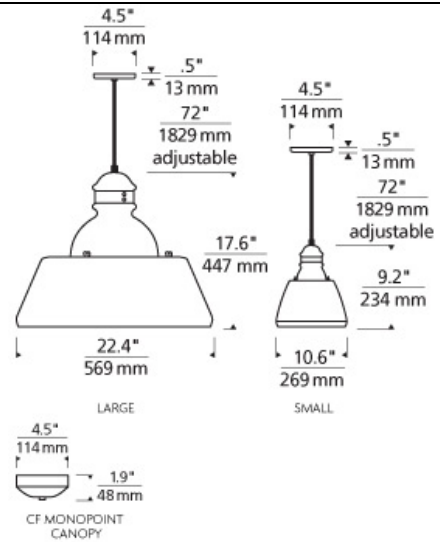
clear



smoke



clear



ORDERING INFORMATION

700	SYSTEM	STNP	SHAPE OR SIZE	COLOR	FINISH	LAMP
TD	LINE-VOLTAGE PENDANTS/SUSPENSION		L LARGE S SMALL	C CLEAR K SMOKE	B BLACK Y GRAY	-LED27 LED 2700K 120V -LED27-277 LED 2700K 277V -LED30 LED 3000K 120V -LED30-277 LED 3000K 277V -PAR 120 VOLT HALOGEN



TECH LIGHTING®

7400 Linder Avenue T 847.410.4400
Skokie, Illinois 60077 F 847.410.4500

Tech Lighting, L.L.C.

700 ____ STNP _____

FIXTURE TYPE: _____

JOB NAME: _____

NOTES: _____



©2014 Tech Lighting, L.L.C. All Rights Reserved. The "Tech Lighting" graphic is a registered trademark of Tech Lighting, L.L.C. Tech Lighting reserves the right to change specifications for product improvements without notification.