

LINE - VOLTAGE HEADS

Spot Ceramic Metal Halide PAR Head

DESCRIPTION

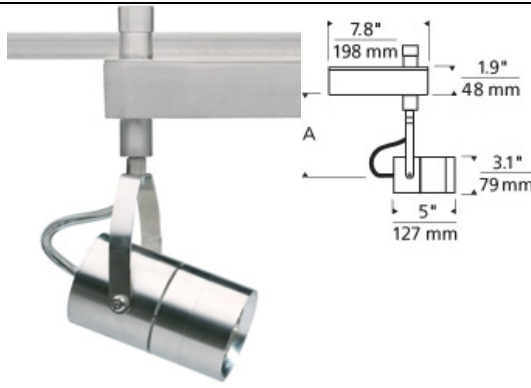
Classic die cast aluminum head, pivots vertically 180°, rotates horizontally 350°. Features vertical and horizontal locking mechanisms. Includes energy-saving electronic ballast in slim aluminum die-cast housing. Input voltage 120v 50/60 hertz, THD <10%. Power Jack version is compatible with Power Jack Canopy with Ballast (sold separately). Ceramic metal halide PAR20 lamp with E26 medium base up to 39 watts (lamp not included). Holds up to two lenses or louvers, sold separately.

ACCESSORIES & OPTICAL CONTROLS

Colored Lens, Dichroic Lens, Diffuser Lens, Linear Spread Lens, Soft Focus Lens, UV Filter

WEIGHT

3.1lb / 1.41kg ±



ORDERING INFORMATION

700 SYSTEM	SPTC	SHAPE OR SIZE	LENGTH (A)	FINISH
PJ	POWERJACK	202 PAR20 20 WATT	08 5.6"	S SATIN NICKEL
TT	SINGLE-CIRCUIT T-TRAK	203 PAR20 39 WATT	12 11.1"	W WHITE
TT2	TWO-CIRCUIT T-TRAK			



700 ____ SPTC ____

FIXTURE TYPE: _____

JOB NAME: _____

NOTES: _____



©2014 Tech Lighting, L.L.C. All Rights Reserved. The "Tech Lighting" graphic is a registered trademark of Tech Lighting, L.L.C. Tech Lighting reserves the right to change specifications for product improvements without notification.