

Two-Circuit T~trak™ Adapter With Compact Fluorescent Ballast

700TT2CHEDCF_ 1.4

T~TRAK

SYSTEM CONNECTORS

GENERAL PRODUCT INFORMATION:

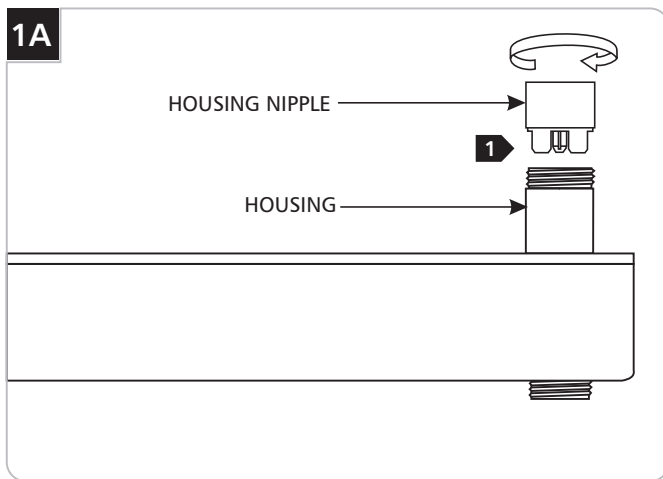


This product is suitable for indoor dry locations only.

This product is intended for use only with Tech Lighting Two-Circuit T~trak™ system.

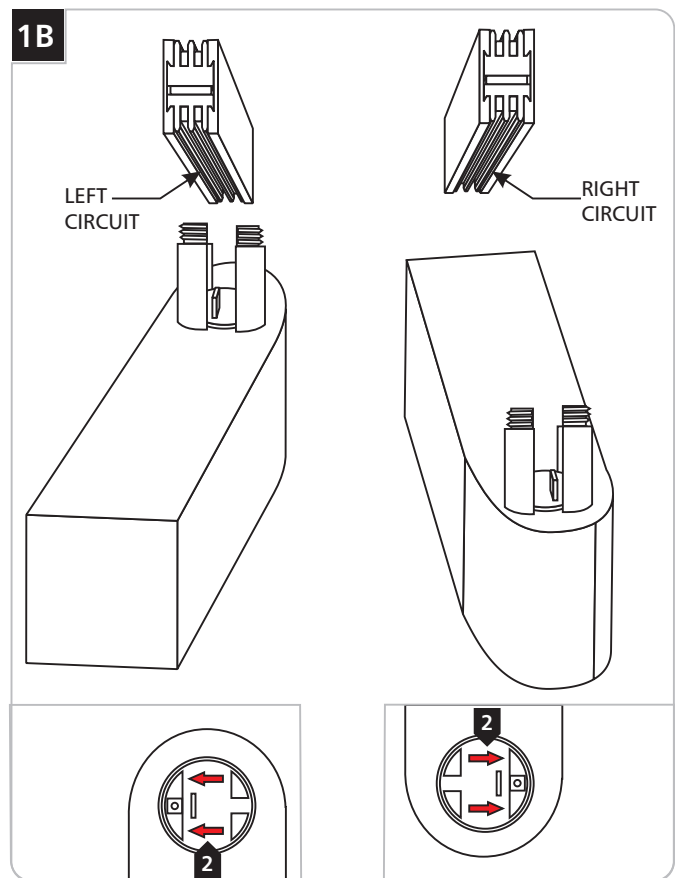


Install the Compact Fluorescent Adapter



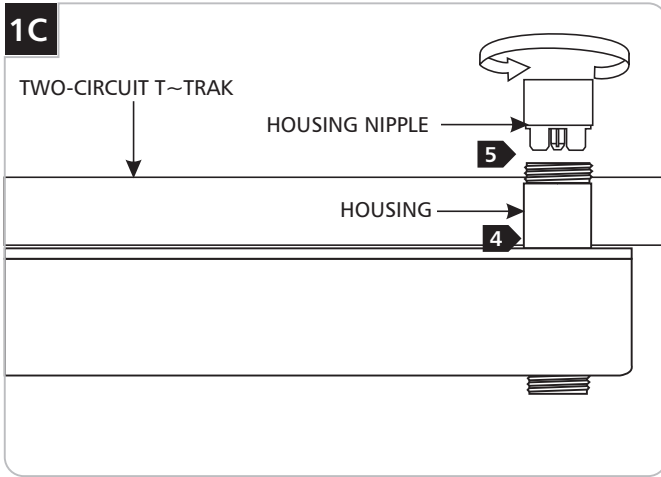
1 Unscrew the housing nipple from housing.

NOTE: Use **MAX 35** watt fluorescent fixture with the Two-Circuit T~trak compact fluorescent adapter.



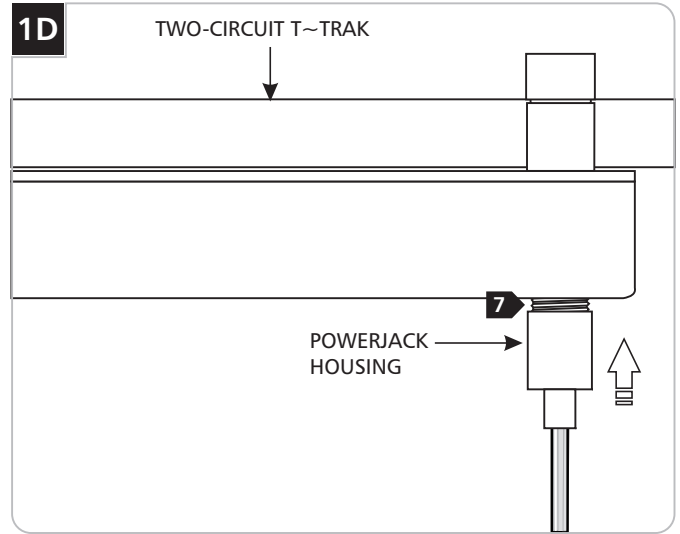
2 The arrow on the compact fluorescent adapter indicates from which circuit the fixture will be energized.

3 Rotate the compact fluorescent adapter to pick one of the circuits.



NOTE: Turn off power to the Two-Circuit T~trak before installing the compact fluorescent adapter.

- 4 Install the compact fluorescent adapter housing over the Two-Circuit T~trak.
- 5 Line up the housing nipple with the compact fluorescent adapter housing and screw them together. Make sure not to cross thread.



- 6 Line up and mate the socket contacts with the compact fluorescent adapter contacts.
- 7 Slide the PowerJack housing up and tighten it to the compact fluorescent adapter.

NOTE: In case of cross threading, unscrew the PowerJack housing from the compact fluorescent adapter and repeat steps 1 and 2.

SAVE THESE INSTRUCTIONS!

T~TRAK
a brand of **TECH LIGHTING**

7400 Linder Ave, Skokie, IL 60077
847.410.4400

www.ttraklighting.com

© 2010 Tech Lighting, L.L.C. All rights reserved. The "T~trak" graphic is a registered trademark of T~trak™. T~trak™ reserves the right to change specifications for product improvements without notification.
A Generation Brands Company