

Modele Pendant

700TDMODP_ 1.0



PENDANTS

GENERAL PRODUCT INFORMATION:



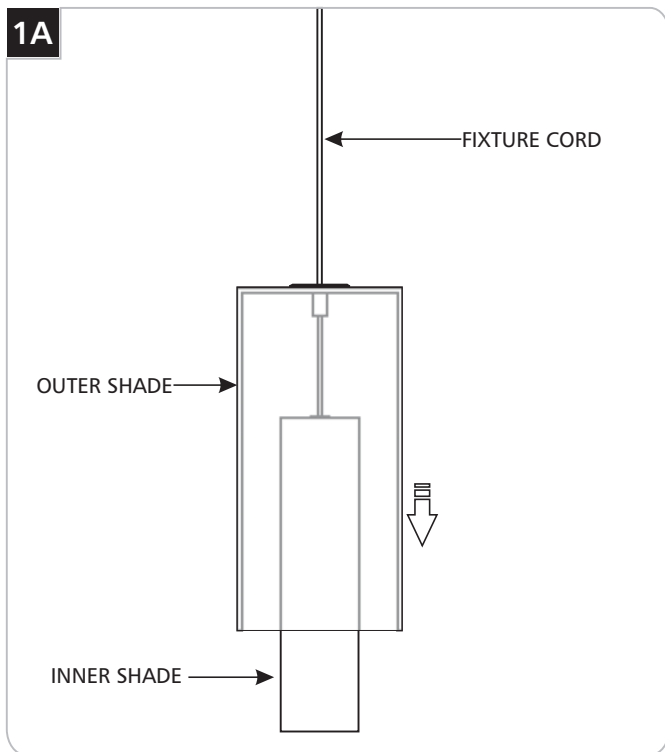
This product is suitable for damp locations.

This product can be dimmed with a standard incandescent dimmer.

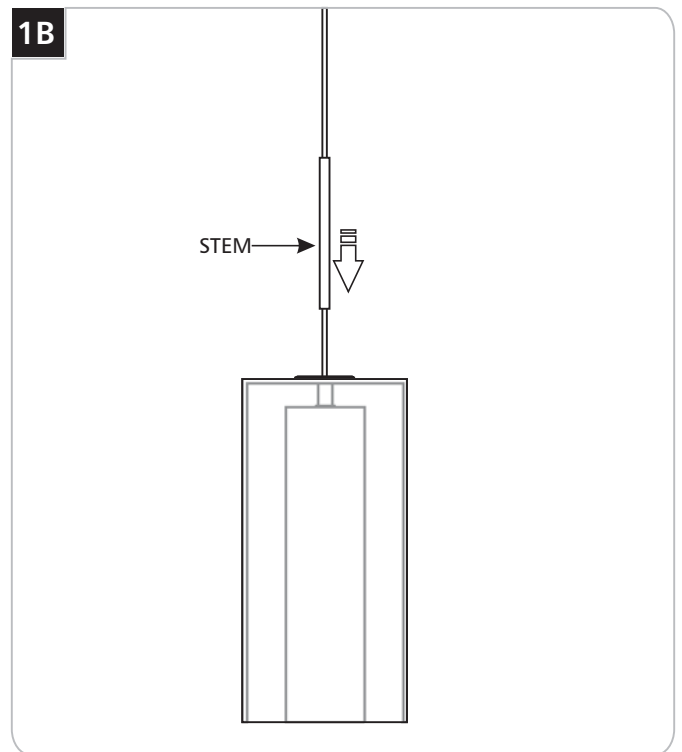
CAUTION - RISK OF FIRE
 This product must be installed in accordance with the applicable installation code by a person familiar with the construction and operation of the product and the hazards involved.
 Use minimum 90°C supply conductors.



Assemble the Fixture

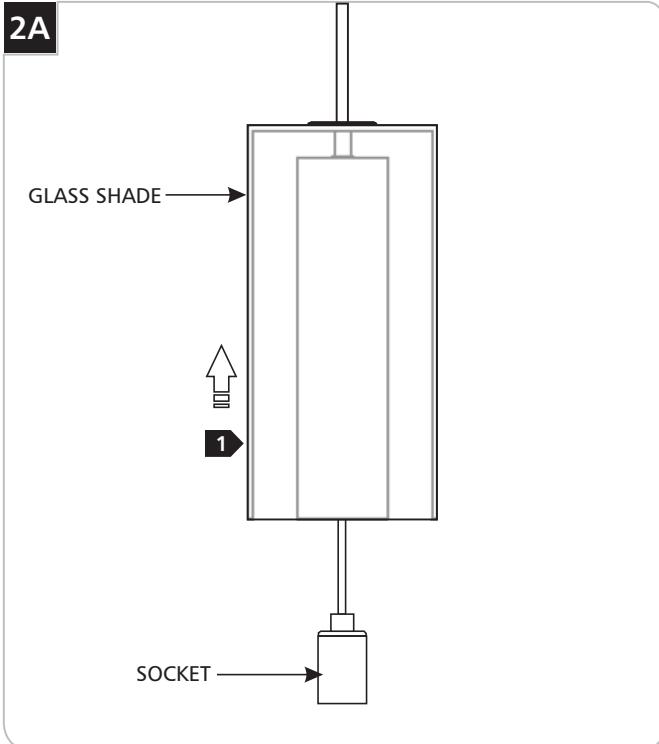


1 Feed the fixture cord through the outer shade and gently slide the outer shade onto the inner shade.



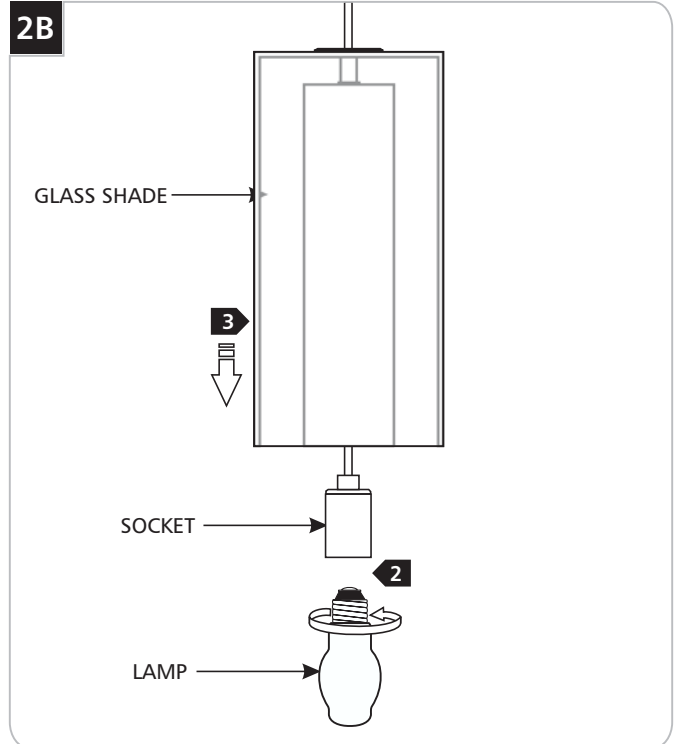
2 Install the stem onto the fixture cord and slide it completely down to the top of the outer shade.

Installing the Lamp



CAUTION: To reduce the risk of a burn or electric shock during relamping, disconnect the power to the fixture.

- 1 Lift both glass shades up to expose the socket.



Use **MAX** 120 Volt, **60 Watt** BT15 Medium Base Lamp.

- 2 Screw the new lamp into the socket.
- 3 Gently lower the glass shades on top of the socket assembly.

SAVE THESE INSTRUCTIONS!



TECH LIGHTING®

7400 Linder Ave, Skokie, IL 60077

847.410.4400

www.techlighting.com

© 2014 Tech Lighting, L.L.C. All rights reserved. The "Tech Lighting" graphic is a registered trademark of Tech Lighting, L.L.C. Tech Lighting reserves the right to change specifications for product improvements without notification.

A Generation Brands Company