



GENERAL PRODUCT INFORMATION:

This product is suitable for damp locations.

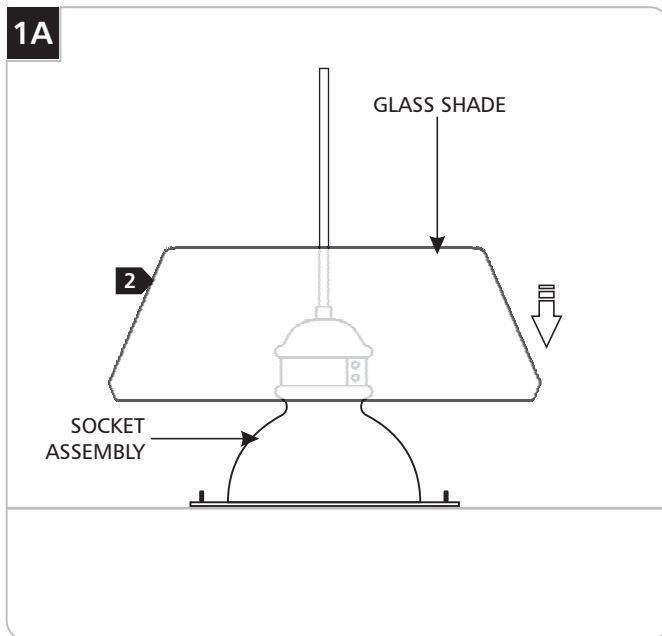
This product can be dimmed with a standard incandescent dimmer.



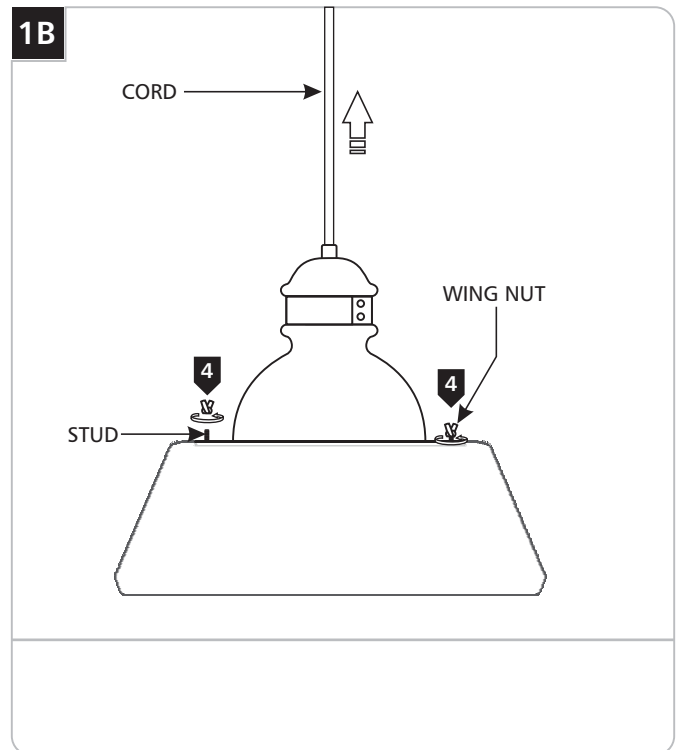
CAUTION - RISK OF FIRE
This product must be installed in accordance with the applicable installation code by a person familiar with the construction and operation of the product and the hazards involved.
Use minimum 90°C supply conductors.



Install the Glass Shade



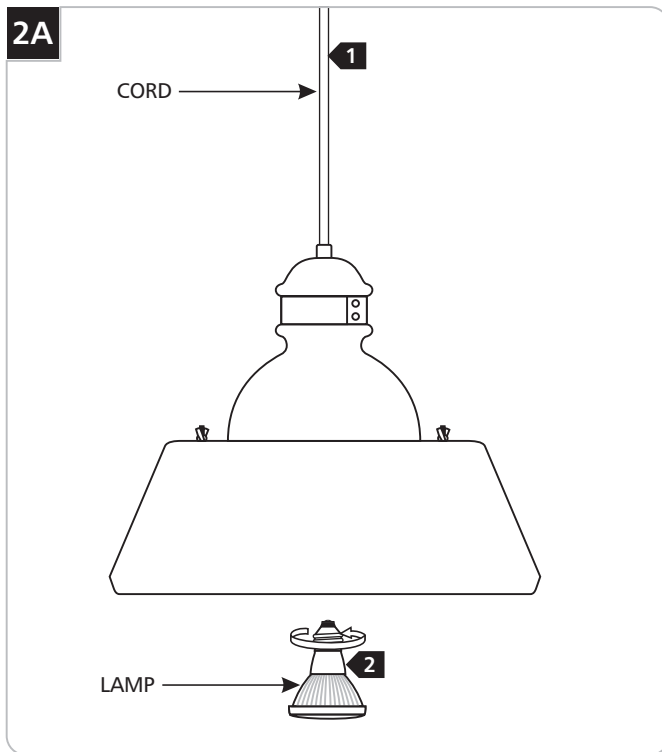
- 1** Place the socket assembly on a flat surface.
- 2** Place the glass shade over the socket assembly.



- 3** Simultaneously pull the cord up gently and align the studs with the holes on the glass shade.
- 4** Secure the glass shade in place by tightening the wing nuts onto the studs.

CAUTION: Do not over-tighten, the glass may break resulting in injury.

Install the Lamp



CAUTION: To reduce the risk of a burn or electric shock during relamping, disconnect the power to the fixture.

Use **MAX** 120 Volt, 60 Watt Incandescent PAR30 lamp.



- 1 Before shortening the cord, refer to the canopy instructions for details on fixture installation.
- 2 Screw the lamp base completely into the socket.

SAVE THESE INSTRUCTIONS!



TECH LIGHTING®

7400 Linder Ave, Skokie, IL 60077

847.410.4400

www.techlighting.com

© 2014 Tech Lighting, L.L.C. All rights reserved. The "Tech Lighting" graphic is a registered trademark of Tech Lighting, L.L.C. Tech Lighting reserves the right to change specifications for product improvements without notification.

A Generation Brands Company