

Stratton Pendant Large (LED)

700TDSTNPL_-LED_ 1.3



GENERAL PRODUCT INFORMATION:

This product is suitable for damp locations.

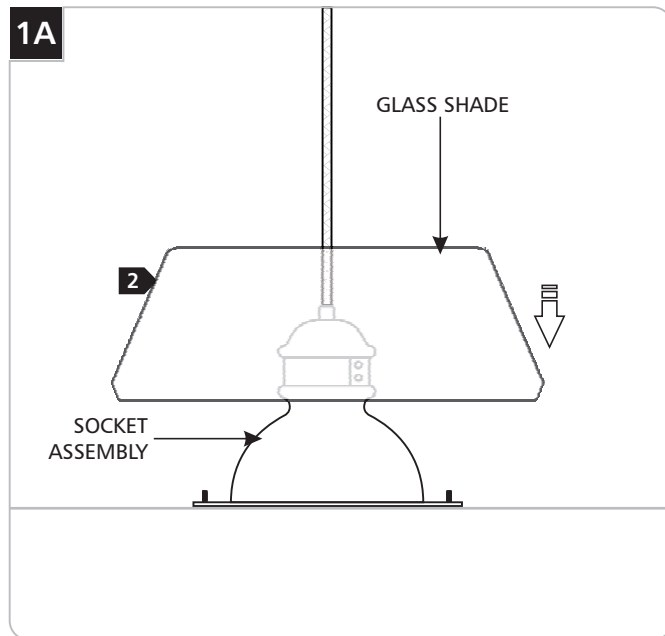
This product can be dimmed with a low-voltage electronic dimmer.



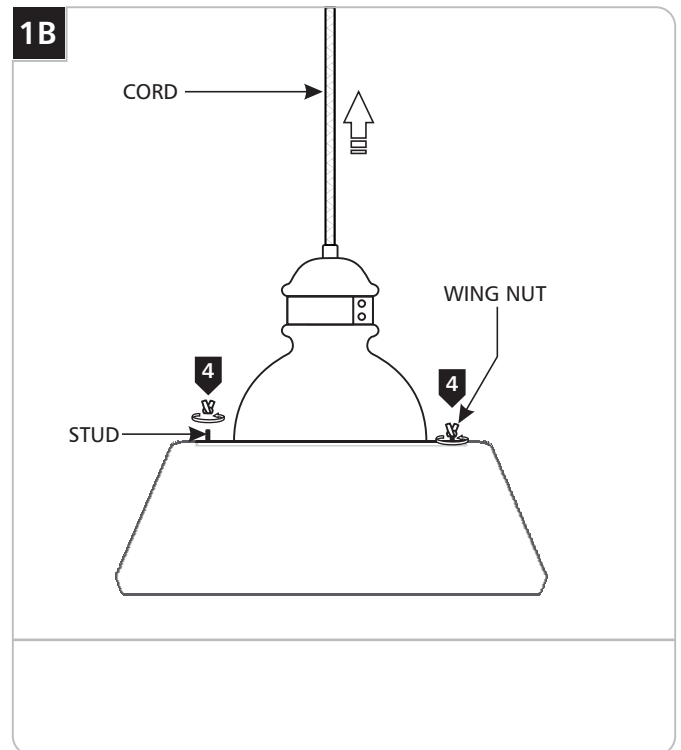
CAUTION - RISK OF FIRE
 This product must be installed in accordance with the applicable installation code by a person familiar with the construction and operation of the product and the hazards involved.
 Use minimum 90°C supply conductors.



Install the Glass Shade



- 1** Place the socket assembly on a flat surface.
- 2** Place the glass shade over the socket assembly.

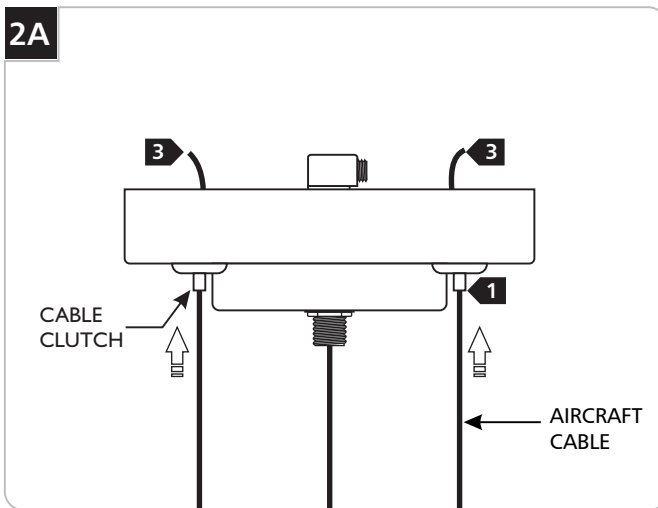


- 3** Simultaneously pull the cord up gently and align the studs with the holes on the glass shade.
- 4** Secure the glass shade in place by tightening the wing nuts onto the studs.

CAUTION: Do not over-tighten, the glass may break resulting in injury.

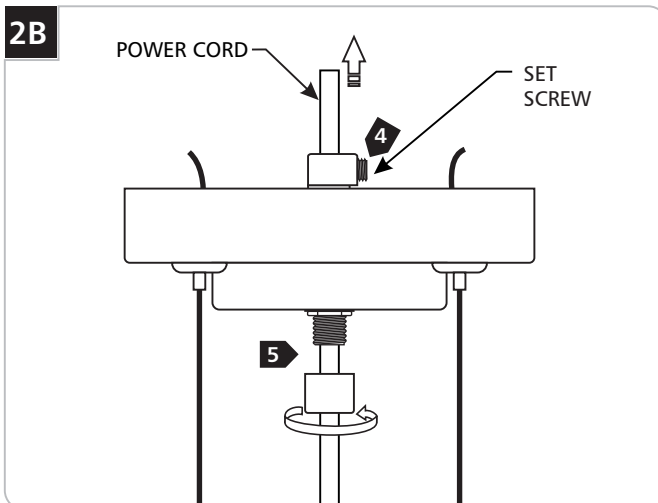
Install the Fixture

2A



- 1 Feed the aircraft cables through the cable clutch in the canopy.
- 2 Evenly pull the aircraft cable up through the canopy to raise the fixture to the desired length.
- 3 Cut off the excess aircraft cable leaving enough for fine leveling later.

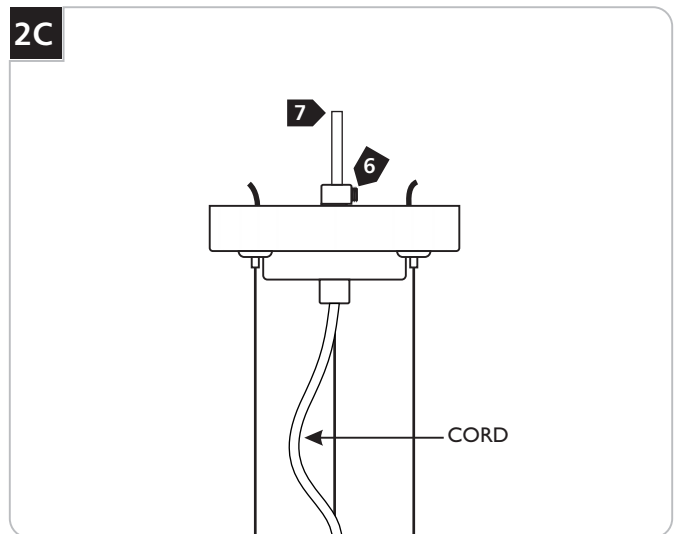
2B



Note: Taping down the frayed end of the cloth cover may assist in feeding the power cord through the strain relief.

- 4 If necessary loosen the set screw in the strain relief and feed the power cord from the fixture through the cap and into the canopy.
- 5 Re-screw the cap back on.

2C

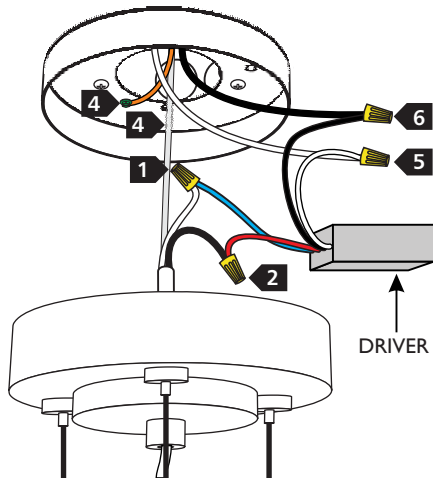


NOTE: The power cord does not support the fixture. For a casual "lazy cord" look, cut the power cord several inches longer than the drop height of the fixture.

- 6 Once the desired look is determined, tighten the set screw on the strain relief.
- 7 Leave 6" of the cord behind the canopy for power connections and cut the excess cord.

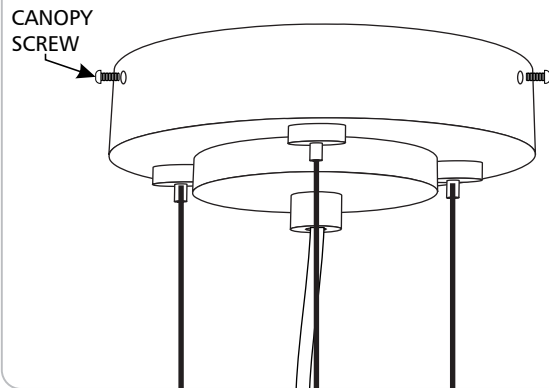
Install the Canopy

3A



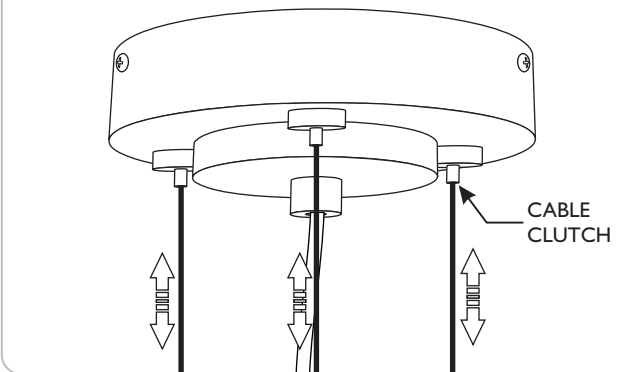
- 1 Strip the cable behind the canopy and also strip the ends of the inner wires.
- 2 Connect the blue driver wire to the insulated pendant wire with the white tracer (white wire).
- 3 Connect the red driver wire to the other insulated pendant wire (black wire).
- 4 Connect the fixture and the crossbar ground wire to a suitable ground in accordance with local electrical codes.
- 5 Connect the white driver wire to the neutral power line wire.
- 6 Connect the black driver wire to the hot power line wire.

3B



- 7 Place all wires, wire nut connections, and the ballast properly into the electrical box.
- 8 Remount the canopy to the backplate by securing

3C



- 9 Adjust the aircraft cables until the fixture is level; feed the cable into the cable clutch to raise the fixture and push in on the cable clutch nipple to release the cable and lower the fixture.

SAVE THESE INSTRUCTIONS!



TECH LIGHTING®

7400 Linder Ave, Skokie, IL 60077

847.410.4400

www.techlighting.com

© 2014 Tech Lighting, L.L.C. All rights reserved. The "Tech Lighting" graphic is a registered trademark of Tech Lighting, L.L.C. Tech Lighting reserves the right to change specifications for product improvements without notification.

A Generation Brands Company