

Stratton Pendant Small (LED)

700TDSTNPS_-LED

1.2



GENERAL PRODUCT INFORMATION:

This product is suitable for damp locations.



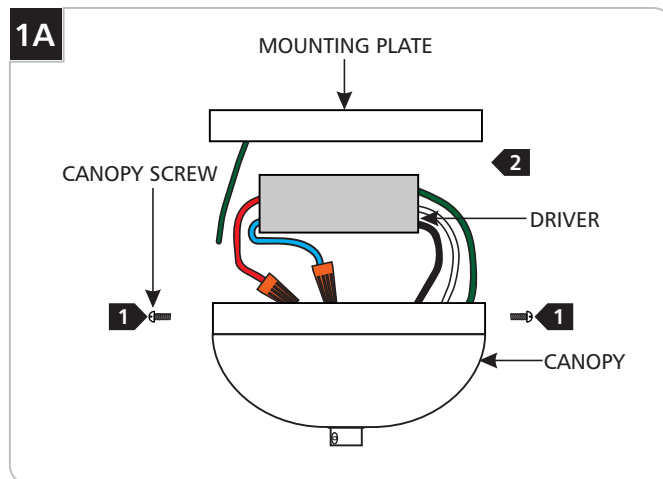
CAUTION - RISK OF FIRE

This product must be installed in accordance with the applicable installation code by a person familiar with the construction and operation of the product and the hazards involved.

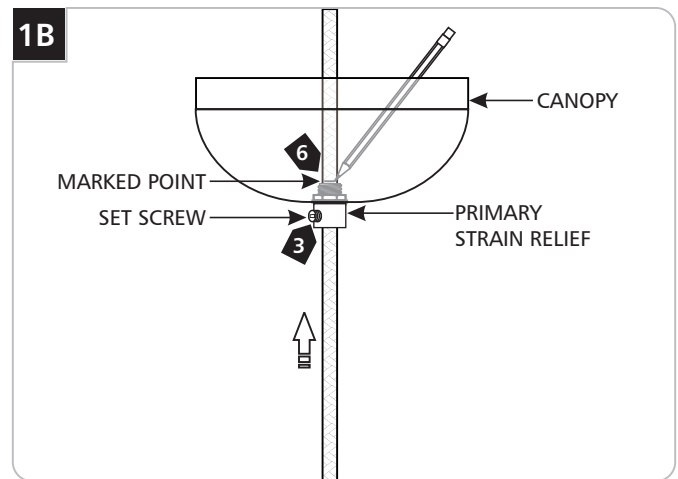
Use minimum 90°C supply conductors.



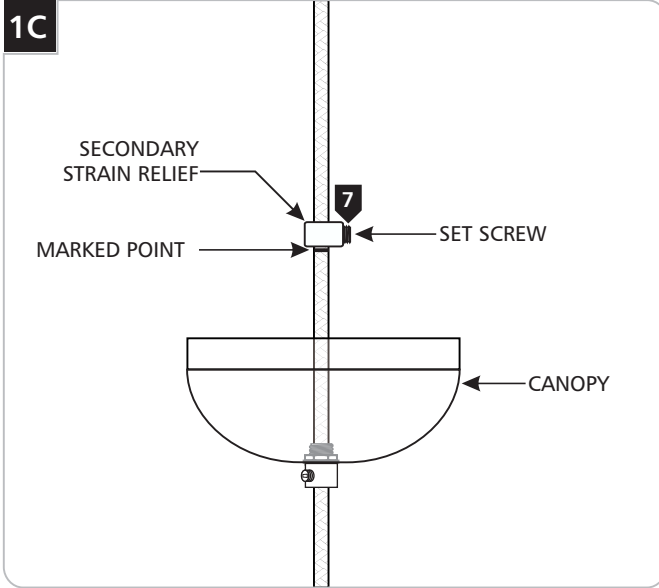
Shorten the Pendant



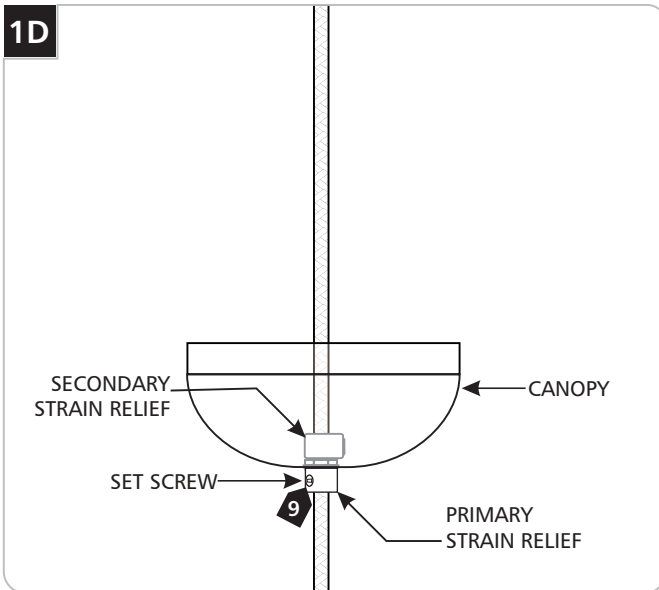
- 1 Remove the two canopy screws on sides of the canopy.
- 2 Remove the mounting plate and driver from the canopy.



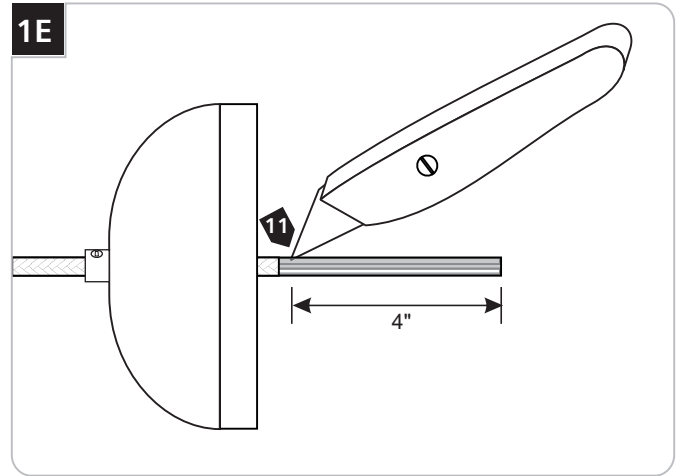
- 3 Loosen (**Do Not Remove**) the set screw on the primary strain relief.
- 4 Feed the cord through the primary strain relief and canopy.
- 5 Adjust the fixture height (from bottom of the fixture shade to top of the canopy) by moving the canopy and primary strain relief up or down.
- 6 When desired height is achieved, mark the cord right behind the primary strain relief for the secondary strain relief location.



- 7 Feed the cord through the secondary strain relief. Place the secondary strain relief right above the marked point and tighten the set screw.



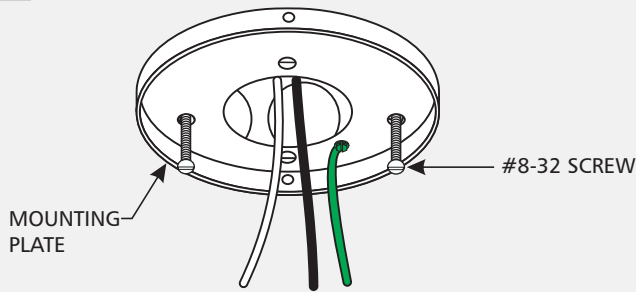
- 8 Drop the secondary strain relief back to the desired location.
- 9 Tighten the set screw on the primary strain relief.



- 10 Leave 6" of the cord behind the canopy for power connections. Cut the excess cord.
- 11 From the end of the cord, cut away the cloth and strip the outer insulation 4" using a sharp knife and needlenose pliers. **Make sure not to cut inner wires.**
- 12 Strip 1/4" of insulation from the inner insulated wires. (three inner insulated wires for standard SVT cord). The bare inner wire is the ground wire (green insulated wire in SVT cord).

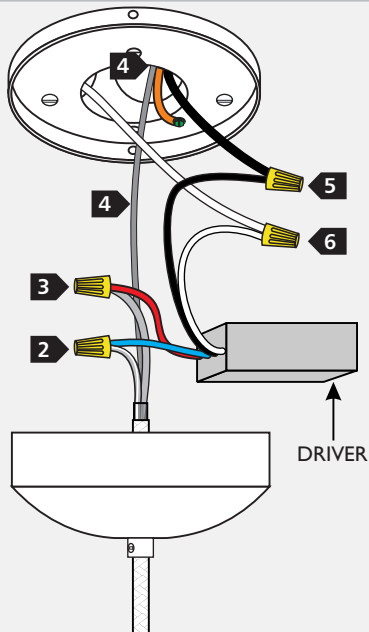
Install the Pendant

2A



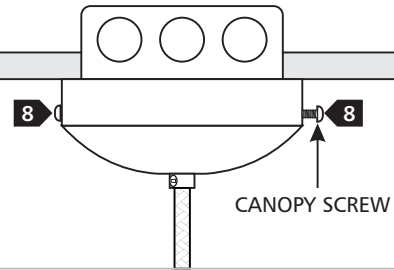
- 1 Secure the mounting plate to the electrical box with the two #8-32 screws provided.

2B



- 2 Connect the blue driver wire to the insulated pendant wire with the white tracer.
- 3 Connect the red driver wire to the other insulated pendant wire.
- 4 Connect the fixture to a suitable ground in accordance with local electrical codes.
- 5 Connect the black driver wire to the hot power line wire with a wire nut.
- 6 Connect the white driver wire to the neutral power line wire with a wire nut.

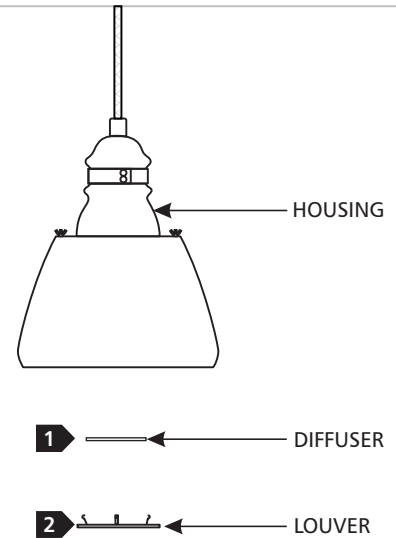
2C



- 7 Properly place the driver, all wires, and wire nut connections inside the canopy.
- 8 Align the canopy holes with the mounting plate holes and secure the canopy in place by installing and tightening the two canopy screws.

Install the Diffuser

3A



- 1 **Optional:** For softer lighting, install the diffuser by placing it inside the louver.
- 2 If necessary, install the louver by pushing it into the housing until it is secure.

SAVE THESE INSTRUCTIONS!



TECH LIGHTING®

7400 Linder Ave, Skokie, IL 60077

847.410.4400

www.techlighting.com

© 2014 Tech Lighting, L.L.C. All rights reserved. The "Tech Lighting" graphic is a registered trademark of Tech Lighting, L.L.C. Tech Lighting reserves the right to change specifications for product improvements without notification.

A Generation Brands Company