

2 thousand
degrees™

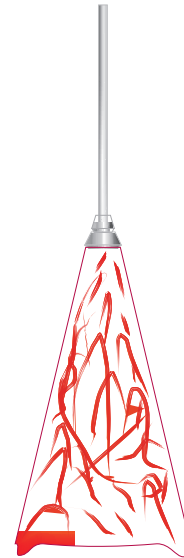
PENDANTS

GENERAL PRODUCT INFORMATION:



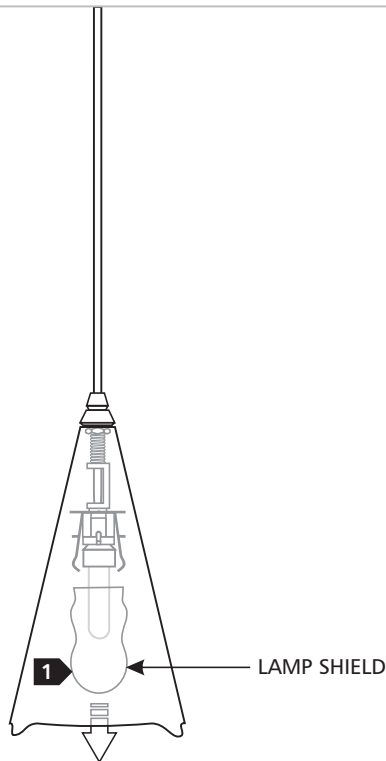
This product is suitable for damp locations.

This product can be dimmed with a standard incandescent dimmer.



Installing the Lamp

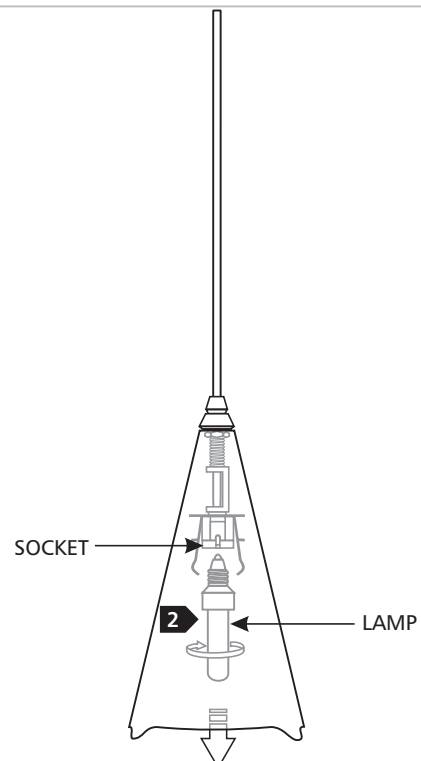
1A



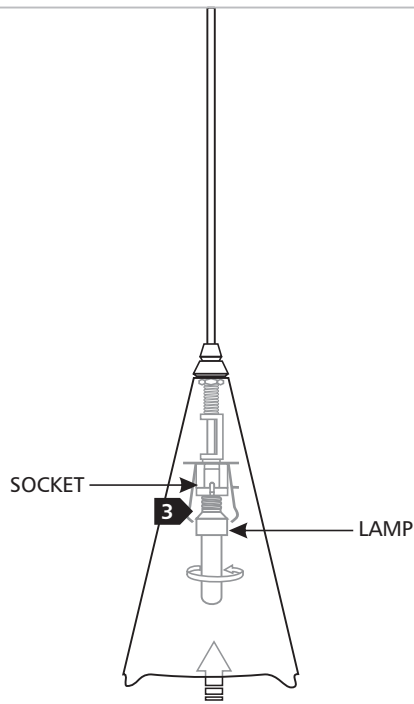
CAUTION: To reduce the risk of a burn or electric shock during relamping, disconnect the power to the fixture.

1 Pull out the lamp shield.

1B

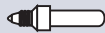


2 Unscrew and remove the lamp from the socket.

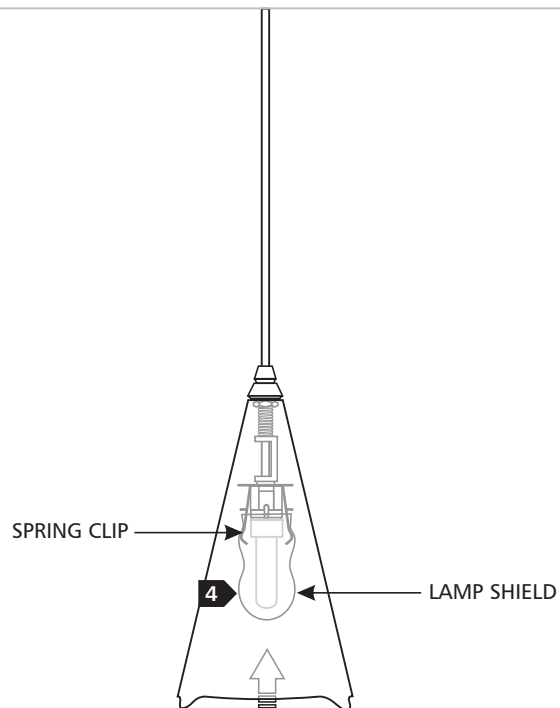
1C

NOTE: Use only your fingers and a soft cloth to replace the lamp.

Use **MAX** 120 Volt, **60** Watt Type E11 Base Mini Candelabra Halogen Lamp.



3 Screw the new lamp completely into the socket.

1D

4 Push the lamp shields onto the spring clips.

IMPORTANT SAFETY INSTRUCTIONS

To reduce the risk of fire, electrical shock, exposure to excessive UV radiation, or injury to person:

- Use this fixture indoors only.
- Do not look directly at the lighted lamp.
- Do not remain in light if skin feels warm.
- Risk of fire: Use only the type of lamp and maximum wattage indicated in this instruction manual.
- Never cover the halogen lamp with anything other than a 2Thousand Degrees lamp shield and never place flammable material close to your fixture.
- Never turn the fixture on and off by connecting and disconnecting the halogen lamp.
- Do not touch the fixture shades or lamp shield while the fixture is on. These surfaces may be HOT.
- To avoid glare in child's eyes, hang the fixture 18" above the table.

Halogen Lamp General Information

- A new halogen lamp may smoke slightly when it is used for the first time. This is perfectly normal; the protective coating is simply being vaporized.

Two Tips For Prolonging Halogen Lamp Life

- First avoid touching the lamp with bare hands during installation. Any contaminant, even the oil from your hands can deteriorate the lamp. Rubbing alcohol can be used to remove any contaminant.
- Second, do not run the lamps at full power when you do not need to. However, if dimming the fixture for an extended period of time, occasionally bring the light up to full brightness for a few minutes to complete the halogen cycle.

SAVE THESE INSTRUCTIONS!

2 thousand degrees™

7400 Linder Ave, Skokie, IL 60077
847.410.4400

www.2thousanddegrees.com

© 2008 Tech Lighting, L.L.C. All rights reserved. The "2thousand degrees" graphic is a registered trademark of 2thousand degrees. 2thousand degrees reserves the right to change specifications for product improvements without notification.

A Generation Brands Company