

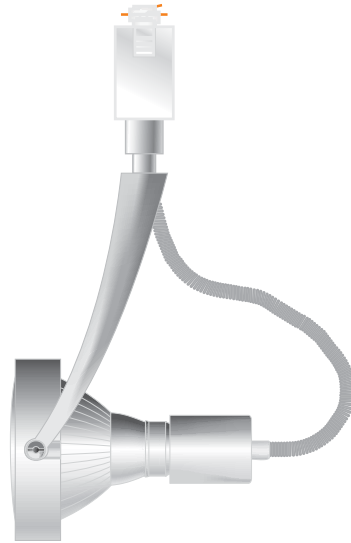
T~TRAK

HEADS-LINE VOLTAGE

GENERAL PRODUCT INFORMATION:

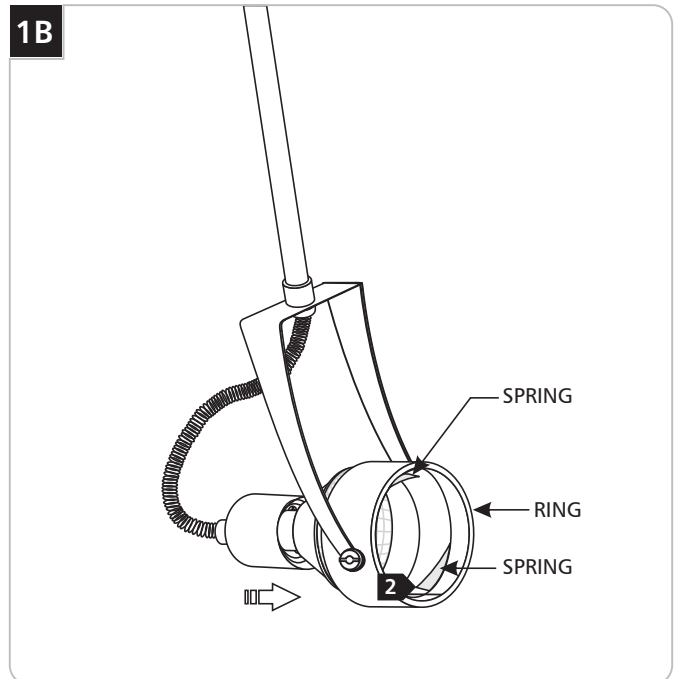
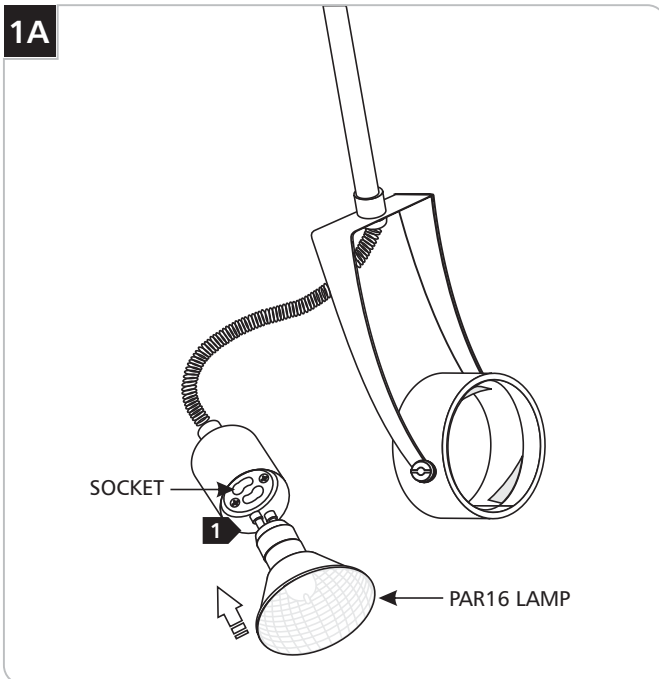


This product is suitable for indoor dry locations only.



Install PAR16 Lamp (PAR16 Version Only)

NOTE: Turn off power to the system before installing, removing, or relamping the fixture.



Use **MAX** 120 Volt, 50 Watt GU10 Base PAR16 lamp.

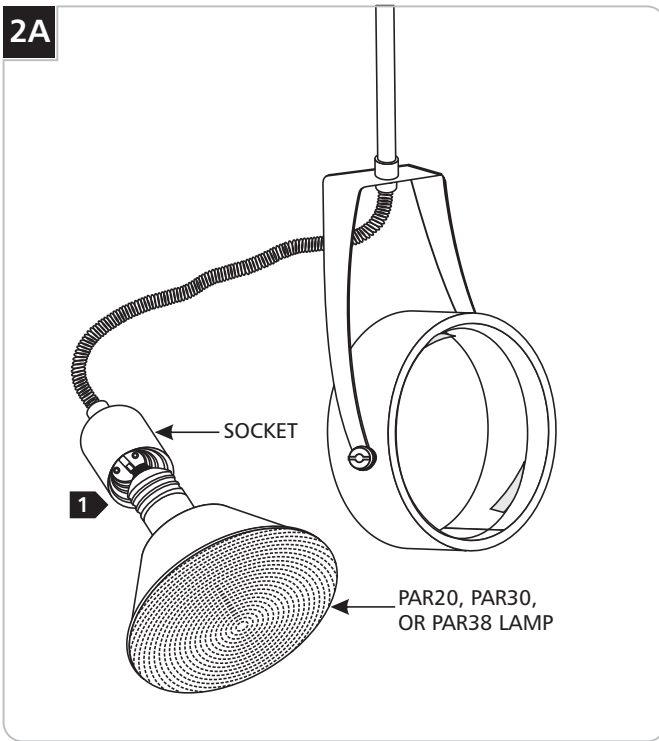


1 Push the lamp pins into the large portion of the socket slots and rotate clockwise to lock the lamp in place securely.

2 Push the lamp edge against the springs inside the ring until the edge of the lamp locks behind the springs.

Install PAR20, PAR30, or PAR38 Lamp

2A



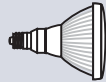
Use **MAX** 120 Volt, 50 Watt Incandescent PAR20 lamp.



Use **MAX** 120 Volt, 75 Watt Incandescent PAR30 lamp.

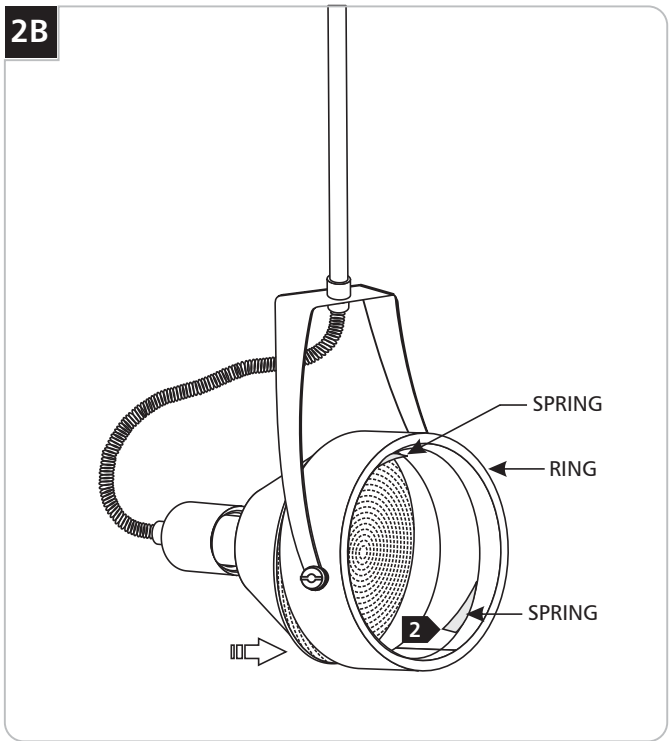


Use **MAX** 120 Volt, 120 Watt Incandescent PAR38 lamp.



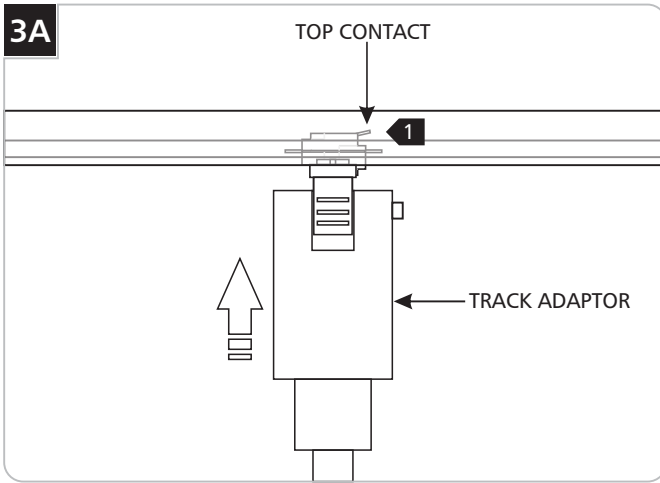
1 Screw the lamp into the socket.

2B

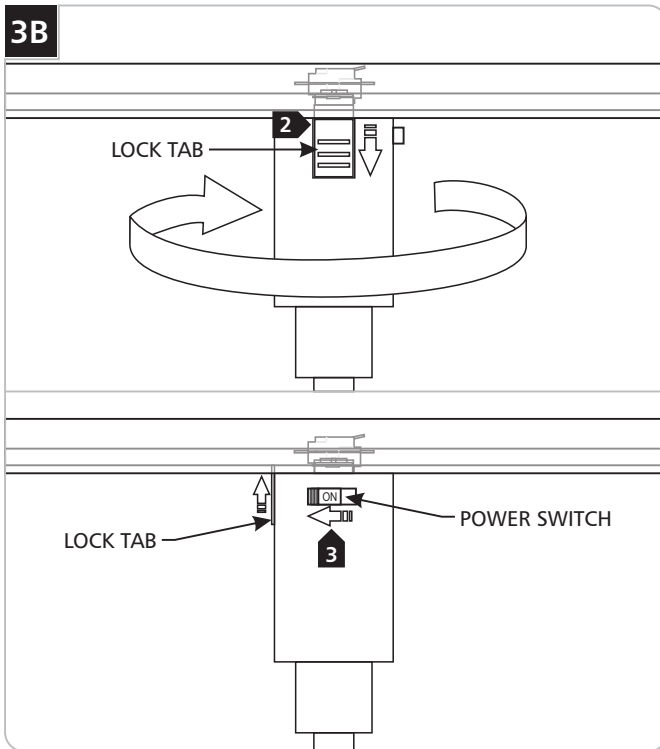


2 Push the lamp edge against the springs inside the ring until the edge of the lamp locks behind the springs.

Install the Fixture

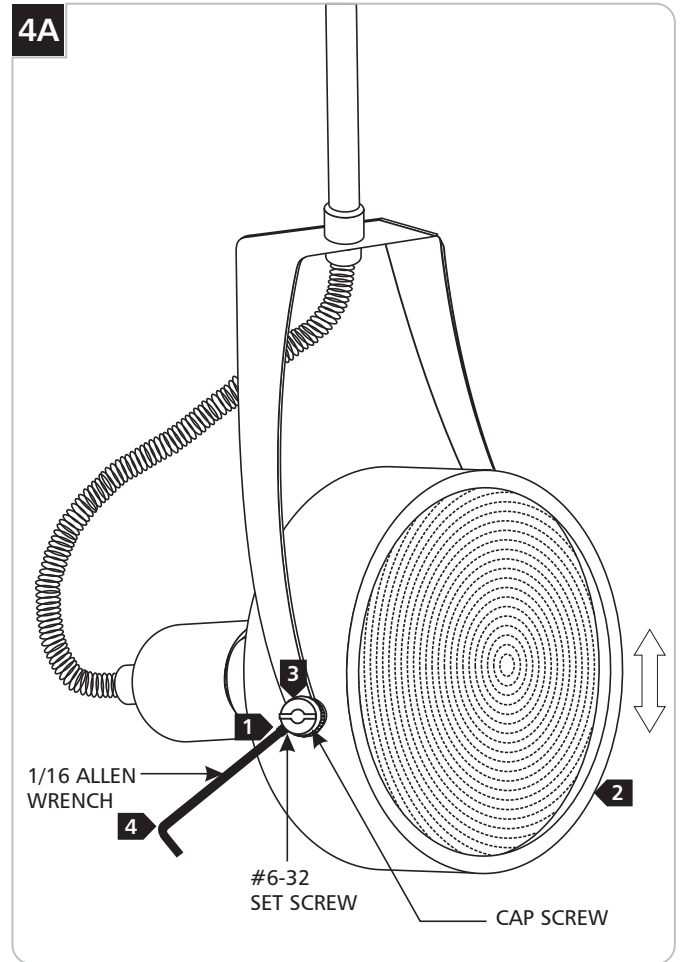


- 1 Push the Halo adapter contacts all the way into the Halo track.



- 2 Pull down the lock tab, rotate the Halo adapter 90°, and release the lock tab.
- 3 Flip the power switch to the on position.

Lock Fixture in Permanent Position (Optional)



- 1 To lock the fixture head in a permanent vertical position, loosen (DO NOT REMOVE) the #6-32 set screw on the edge of the cap screw with the provided 1/16 Allen wrench.
- 2 Rotate the fixture head to the desired position.
- 3 Tighten the cap screw with a flat head screwdriver.
- 4 Tighten the #6-32 set screw with the 1/16 Allen wrench.

IMPORTANT SAFETY INSTRUCTIONS

To reduce the risk of fire, electrical shock, exposure to excessive UV radiation, or injury to person:

- Use this fixture indoors only.
- Do not look directly at the lighted lamp.
- Do not remain in light if skin feels warm.
- Risk of fire: Use only the type of lamp and maximum wattage indicated in this instruction manual.
- Never cover the lamp with anything. Never place flammable material close to your fixture.
- Never turn the fixture on and off by connecting and disconnecting the lamp.
- Do not touch the lamp while the fixture is on. This surface may be **HOT**.

SAVE THESE INSTRUCTIONS!



TECH LIGHTING®

7400 Linder Ave, Skokie, IL 60077

847.410.4400

www.techlighting.com

© 2015 Tech Lighting, L.L.C. All rights reserved. The "Tech Lighting" graphic is a registered trademark of Tech Lighting, L.L.C. Tech Lighting reserves the right to change specifications for product improvements without notification.

A Generation Brands Company