

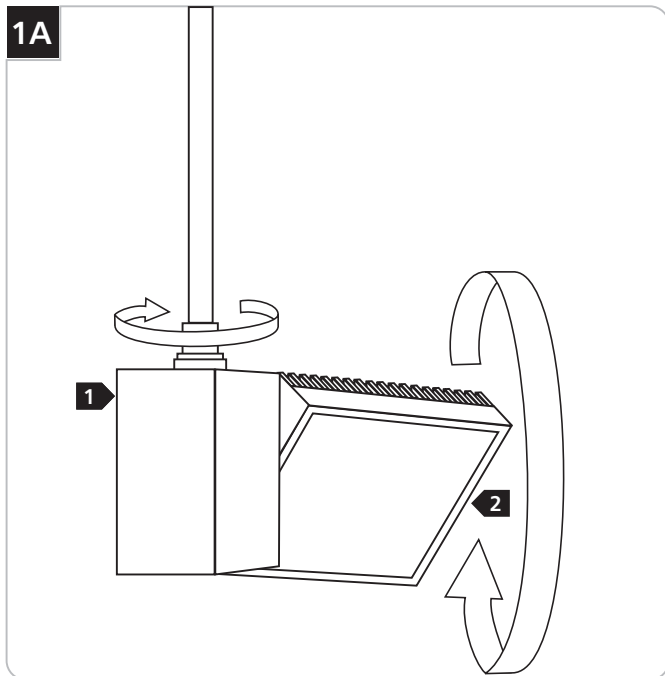


HEADS-LOW VOLTAGE

GENERAL PRODUCT INFORMATION:



This product is ETL listed and suitable only for indoor dry locations and approved for use at any height above the finished floor.



- 1** Adjust the head by rotating to desired position. Rotation capabilities up to 330°.
- 2** Adjust the LED module by pivoting to the desired position. Pivoting capabilities up to 360°.

NOTE: For double versions, each LED module pivots independently.



SAVE THESE INSTRUCTIONS!



7400 Linder Ave, Skokie, IL 60077

847.410.4400

www.techlighting.com

© 2011 Tech Lighting, L.L.C. All rights reserved. The "Tech Lighting" graphic is a registered trademark of Tech Lighting, L.L.C. Tech Lighting reserves the right to change specifications for product improvements without notification.

A Generation Brands Company