

# LINE-VOLTAGE PENDANTS / SUSPENSION

## Hudson Pendant



### DESCRIPTION

Clean pure style with presence. A long cylindrical glass shade topped with a simple metal cap detail, suspended from a round canopy. Choose from a selection of rich glass colors with a gloss finish. Black, satin nickel, and white finish options come standard with a satin nickel cap and clear cable; antique bronze finish with an antique bronze cap and brown cable. Includes 120 volt, 75 watt or equivalent A19 medium base lamp or 32 watt GX24Q-3 base triple tube compact fluorescent lamp (electronic ballast included). May also be lamped with 26 watt GX24Q-3 base triple tube compact fluorescent lamp (not included). Fixture is provided with six feet of field-cutable cable. Incandescent version dimmable with standard incandescent dimmer

### INSTALLATION

This product can mount to either a 4" square electrical box with round plaster ring or an octagon electrical box.

### OTHER

TD includes 4.5" Round Canopy.  
Antique Bronze and Black Finish Only Available on TD.  
CF277 Lamp Only Available on TD.

### ACCESSORIES & OPTICAL CONTROLS

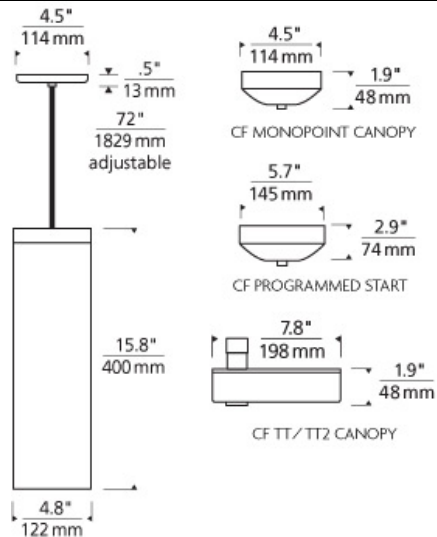
Line-voltage Swag Hook

### WEIGHT

4lb / 1.81kg ±



latte



latte



white

### ORDERING INFORMATION

| 700 | SYSTEM                           | HUDP | COLOR   | FINISH           | LAMP  |
|-----|----------------------------------|------|---------|------------------|---|
| TD  | LINE-VOLTAGE PENDANTS/SUSPENSION |      | L LATTE | Z ANTIQUE BRONZE | INCANDESCENT 120V                                     |
| TT  | SINGLE-CIRCUIT T-TRAK            |      | W WHITE | B BLACK          | -CF COMPACT FLUORESCENT 120V                          |
| TT2 | TWO-CIRCUIT T-TRAK               |      |         | S SATIN NICKEL   | -CF277 COMPACT FLUORESCENT 277V                       |
|     |                                  |      |         | W WHITE          | -PSUNV COMPACT FLUORESCENT PROGRAMMED START 120V-277V |

For use on Halo\*, Juno\* or Lightolier\* 120 volt single-circuit track, order as follows:

**Incandescent:** Order pendant as **700TD** and order appropriate [120V Track Adapter](#)

**Compact Fluorescent:** Substitute 700TD with one of the following: **700TH** (fits Halo\*), **700TJ** (fits Juno\*) or **700TI** (fits Lightolier\*) and by substituting the finish with one of the following: **BZ** (Black/Antique Bronze), **BS** (Black/Satin Nickel), **WZ** (White/Antique Bronze) or **WS** (White/Satin Nickel).

\*Tech Lighting is not affiliated, nor is it endorsed by any of the companies listed nor does Tech Lighting distribute any of their products.



700 \_\_\_\_ HUDP \_\_\_\_\_

FIXTURE TYPE: \_\_\_\_\_

JOB NAME: \_\_\_\_\_

NOTES: \_\_\_\_\_

\_\_\_\_\_

\_\_\_\_\_

