

# Round & Cone Glass Shields

700LICO\_ , 700MR16G\_ 1.6



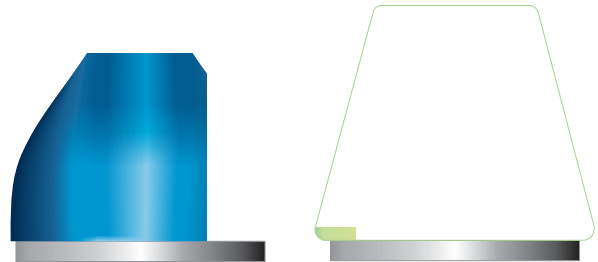
ACCESSORIES

## GENERAL PRODUCT INFORMATION:

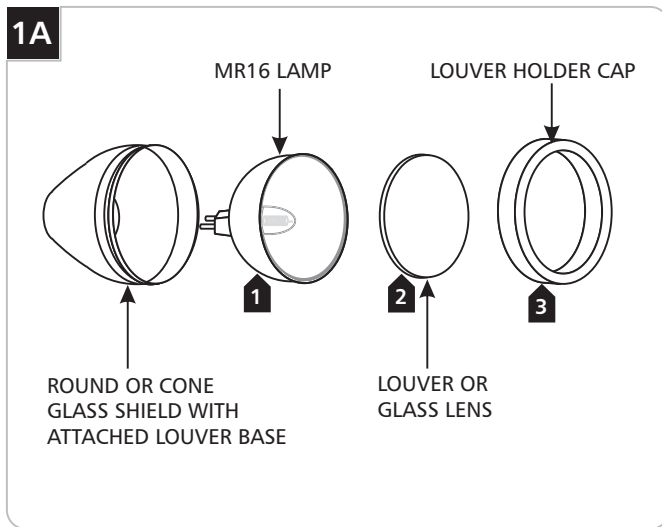


This product is suitable for indoor dry locations only.

This product must be used with Tech Lighting system only.

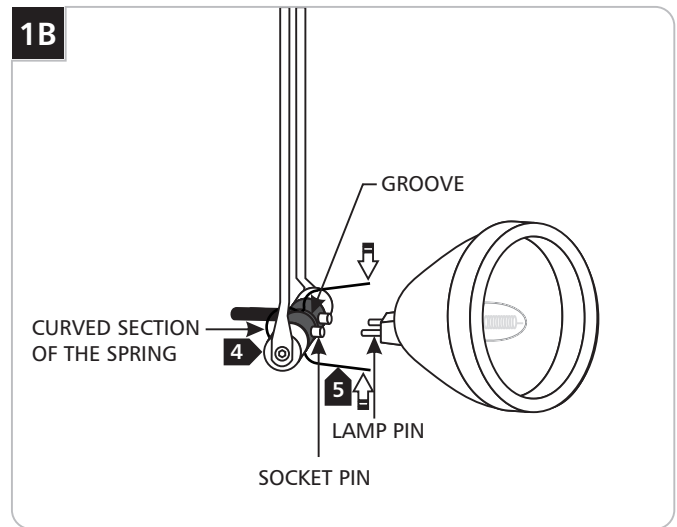


## Installing the Glass Shield to a Fixture with a MR16 Socket



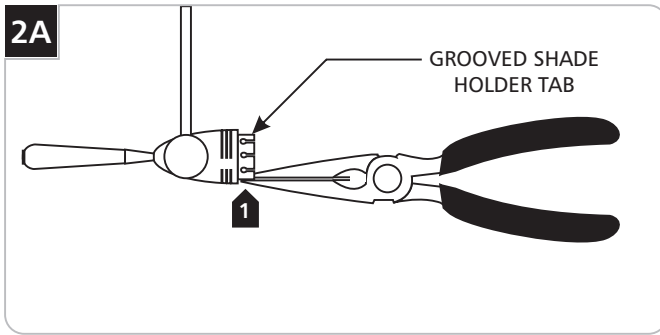
Use **MAX 50 Watt MR16 Front Cover Halogen Lamp.**

- 1** Place the MR16 lamp into the glass shield with attached louver base.
- 2** Place the louver or glass lens on front of the MR16 lamp.
- 3** Screw the louver holder cap completely onto the louver base.

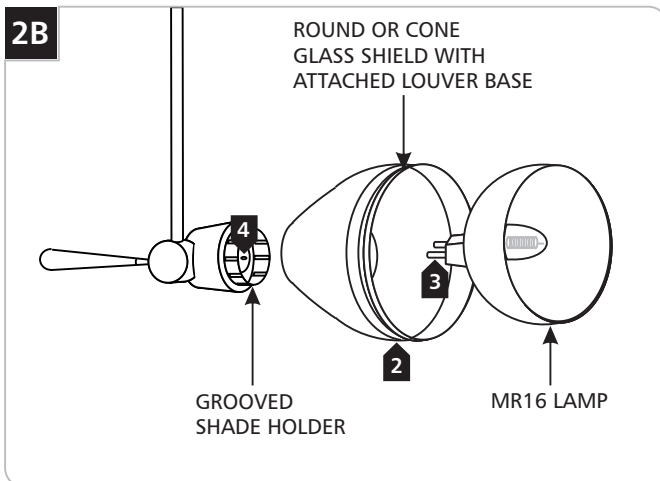


- 4** Snap the spring onto the groove in the middle of the MR16 socket.
- 5** Squeeze the spring ends together and feed them through the glass shield assembly; simultaneously push the lamp pins all the way into the socket pins.

## Installing the Glass Shield to Aero Fixture Type Socket



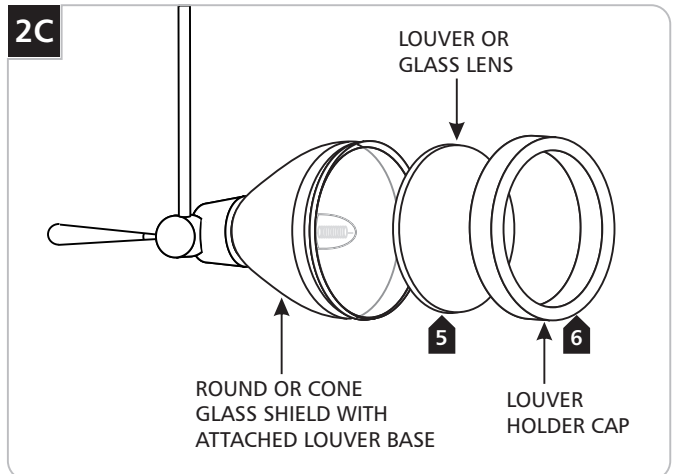
- 1** If the glass shield fits tight onto the fixture, then carefully bend the grooved shade holder tabs in slightly with the needle-nose pliers. If it fits loose, then carefully bend the grooved shade holder tabs out slightly with the needle-nose pliers.



Use **MAX 50 Watt MR16 Front Cover Halogen Lamp.**



- 2** Place the MR16 lamp into the glass shield.
- 3** Line the lamp pins up with the socket holes.
- 4** Push the lamp pins all the way into the socket holes; simultaneously push the glass shield onto the groove shade holder.



- 5** Place the louver or glass lens on front of the MR16 lamp.
- 6** Screw the louver holder cap completely onto the louver base.

**SAVE THESE INSTRUCTIONS!**



7400 Linder Ave, Skokie, IL 60077  
847.410.4400

[www.techlighting.com](http://www.techlighting.com)

© 2008 Tech Lighting, L.L.C. All rights reserved. The "Tech Lighting" graphic is a registered trademark of Tech Lighting, L.L.C. Tech Lighting reserves the right to change specifications for product improvements without notification.  
A Generation Brands Company