

# CP1 Clamp-On Light

700CP1\_

1.7



## GENERAL PRODUCT INFORMATION:



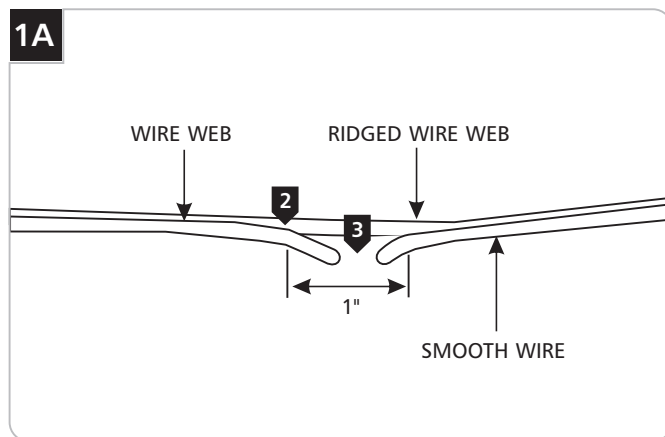
This product is suitable for indoor dry locations only.

This product can mount to any surface from 1/2" pipe to 4" wall.

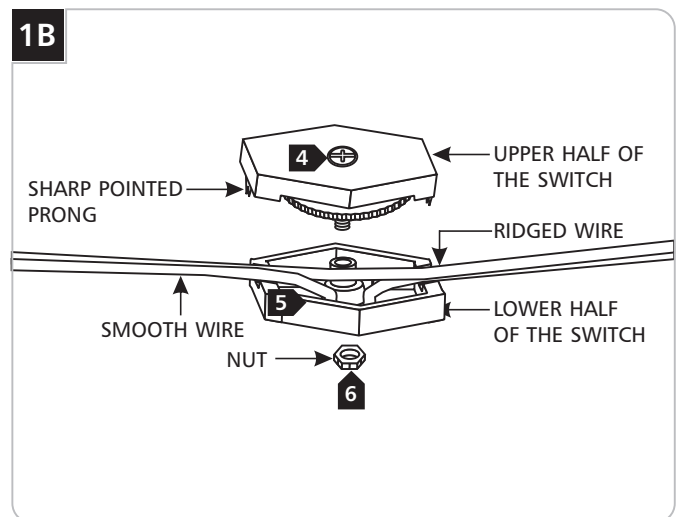
This product telescopes from 9" to 25", the arms rotate 180° and the lamp rotates 330°.



## Install the Switch

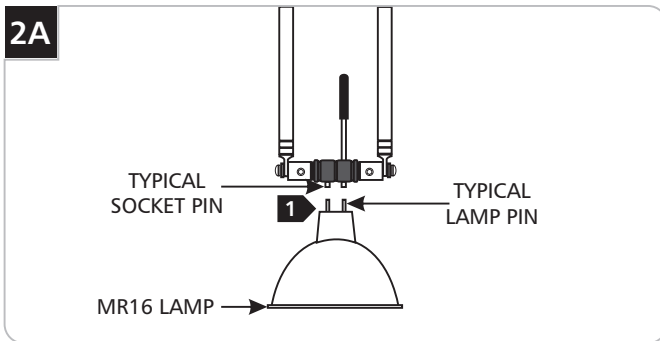


- 1** Select a place on cord where the switch is going to be mounted.
- 2** With a sharp knife cut 1" slot in the cord web. Make sure not to nick the insulation of either wire.
- 3** Cut the smooth wire in half.



- 4** Loosen the screw on upper half of the switch to remove the nut on the lower half.
- 5** Place the cord in the lower half of the switch (the half without the wheel).
- 6** Press both halves back together. Replace the nut in the lower half and tighten the screw on upper half so that the sharp pointed prongs pierce the smooth wire insulation and make contact inside.

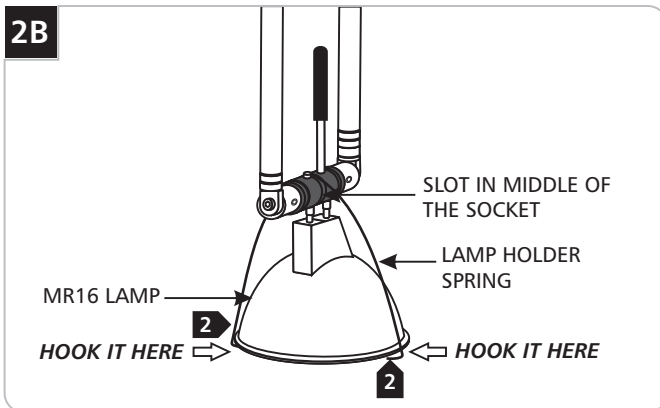
## Install the Lamp



Use **MAX 50 Watt** With 700CP1\_ Models or **75 Watt** With 700CP17\_ Models, MR16 Front Cover Halogen Lamp.

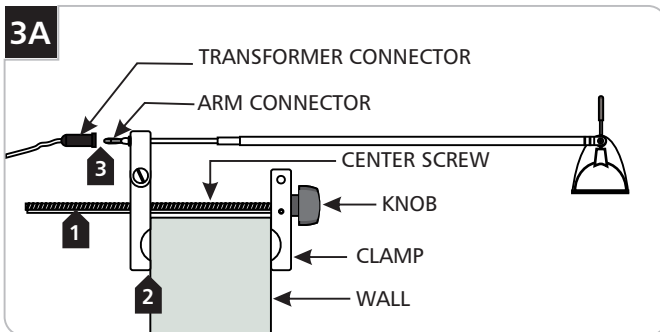


- 1 Push the MR16 lamp pins all the way into the socket pins. Improperly installed lamp may drop out.



- 2 Hook one end of the provided lamp holder spring onto front of the MR16 lamp. Wrap the spring over the slot in the middle of the socket and hook the other end onto front of the MR16 lamp.

## Install the Fixture



- 1 Loosen the center screw to extend the clamp. Attach the clamp onto the pipe or wall.
- 2 Tighten the center screw until clamp grips the pipe or wall securely.
- 3 Push the transformer connectors onto the arm connectors.

## IMPORTANT SAFETY INSTRUCTIONS

*To reduce the risk of fire, electrical shock, exposure to excessive UV radiation, or injury to person:*

- Use this fixture indoors only.
- Do not look directly at the lighted lamp.
- Do not remain in light if skin feels warm.
- Risk of fire: Use only the type of lamp and maximum wattage indicated in this instruction manual.
- Never cover the halogen lamp with anything other than a Tech Lighting lamp shield and never place flammable material close to your fixture.
- Never turn the fixture on and off by connecting and disconnecting the halogen lamp.
- Do not touch the fixture shades or lamp shield while the fixture is on. These surfaces may be HOT.

## Halogen Lamp General Information

- A new halogen lamp may smoke slightly when it is used for the first time. This is perfectly normal; the protective coating is simply being vaporized.

## Two Tips For Prolonging Halogen Lamp Life

- First avoid touching the lamp with bare hands during installation. Any contaminant, even the oil from your hands can deteriorate the lamp. Rubbing alcohol can be used to remove any contaminant.
- Second, do not run the lamps at full power when you do not need to. However, if dimming the fixture for an extended period of time, occasionally bring the light up to full brightness for a few minutes to complete the halogen cycle.

**SAVE THESE INSTRUCTIONS!**



**TECH LIGHTING®**

7400 Linder Ave, Skokie, IL 60077  
847.410.4400

[www.techlighting.com](http://www.techlighting.com)

© 2008 Tech Lighting, L.L.C. All rights reserved. The "Tech Lighting" graphic is a registered trademark of Tech Lighting, L.L.C. Tech Lighting reserves the right to change specifications for product improvements without notification.  
A Generation Brands Company