

# Flight Paper

700FP\_

1.6



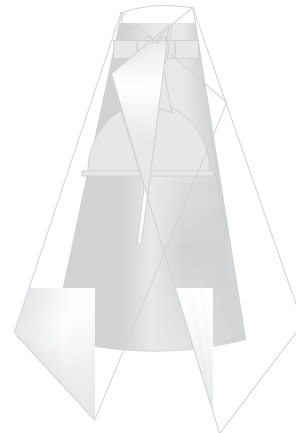
ACCESSORIES

## GENERAL PRODUCT INFORMATION:

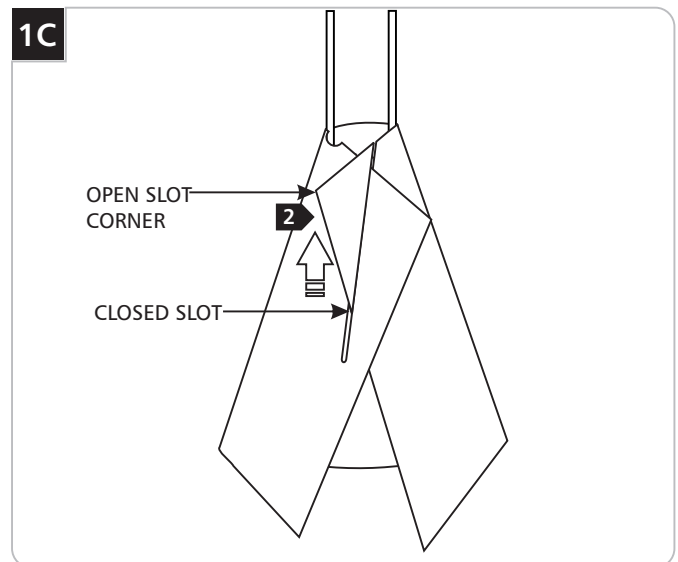
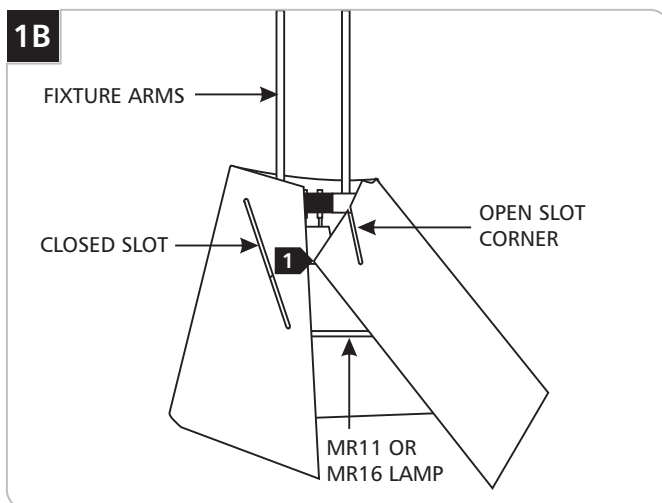
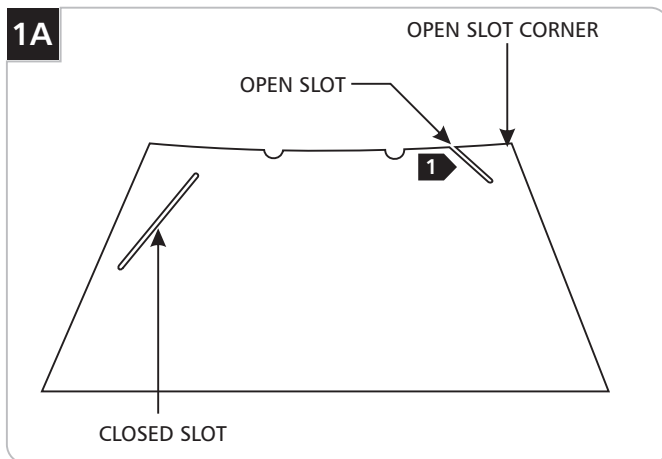


This product is suitable for indoor dry locations only.

This product must be used with Tech Lighting systems only.



## Install the Flight Paper



**2** Simply push the open slot all the way up into the closed so that the Flight Paper stays locked around the fixture lamp.

**SAVE THESE INSTRUCTIONS!**



7400 Linder Ave, Skokie, IL 60077  
847.410.4400

[www.techlighting.com](http://www.techlighting.com)

© 2008 Tech Lighting, L.L.C. All rights reserved. The "Tech Lighting" graphic is a registered trademark of Tech Lighting, L.L.C. Tech Lighting reserves the right to change specifications for product improvements without notification.  
A Generation Brands Company

Use **MAX 50 Watt MR16** or **35 Watt MR11** Front Cover Halogen Lamp.



**1** Wrap the Flight Paper around the fixture lamp and insert the open corner into the closed slot so that both slots line up perpendicularly.