

LINE - VOLTAGE P E N D A N T S

Inner World Pendant



DESCRIPTION

Over 20 inches in diameter, this hand-blown Murano glass is truly a work of art. Inner white case glass helps diffuse the light. Black, satin nickel, and white finish options come with a satin nickel cap and clear cable; antique bronze finish with an antique bronze cap and brown cable. Includes 120 volt, 100 watt medium base A19 lamp or 32 watt GX24Q-3 base triple tube compact fluorescent lamp (electronic ballast included). May also be lamped with GX24Q-3 base 26 watt triple tube compact fluorescent lamp (not included). Fixture is provided with twelve feet of field-cutttable cable. Incandescent version dimmable with standard incandescent dimmer.

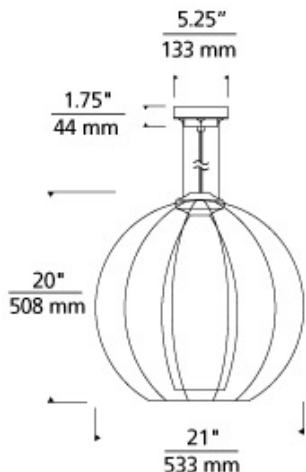
DIMMING

Incandescent version dimmable with standard incandescent dimmer.

WEIGHT

22lb / 9.98kg

ORDERING INFORMATION



| 700 | SYSTEM | IWOP | COLOR | FINISH | LAMP |
|-----|-----------------------|--------------------|--|--------|---|
| TD | LINE-VOLTAGE PENDANTS | A AMBER K SMOKE | Z ANTIQUE BRONZE B BLACK S SATIN NICKEL W WHITE | -CF | INCANDESCENT 120V COMPACT FLUORESCENT 120V COMPACT FLUORESCENT 277V |



TECH LIGHTING®

7400 Linder Avenue
Skokie, Illinois 60077

T 847.410.4400
F 847.410.4500

www.techlighting.com

700 ____ IWOP _____

FIXTURE TYPE: _____

JOB NAME: _____

NOTES: _____



©2011 Tech Lighting, L.L.C. All Rights Reserved. The "Tech Lighting" graphic is a registered trademark of Tech Lighting, L.L.C. Tech Lighting reserves the right to change specifications for product improvements without notification.