

Veryon Head 



DESCRIPTION

16 watt, 800+ lumen directional LED head made of machined aluminum housing and extruded aluminum heat sink. The LED is easily field replaceable and upgradable due to the solderless connector. The heat sink remains with the fixture minimizing any waste at the end of the lamp module's life. The two-tone finish adds a modern industrial aesthetic. The head rotates 360° and pivots 90° to direct the beam. Integrated lens holder accommodates one lens or louver (sold separately). Dimmable to 10% with low-voltage electronic or magnetic dimmer.

SYSTEM

Available for FreeJack, MonoRail, and Two-Circuit MonoRail. For use on T~TRAK, order FreeJack version and T~TRAK FreeJack Connector (sold separately).

INSTALLATION

Socket terminates with FreeJack male connector, which may be installed into a system connector. Elements ordered with a system prefix include a connector for that system.

DIMMING

Dimmable to 10% with low-voltage electronic or magnetic dimmer (not included).

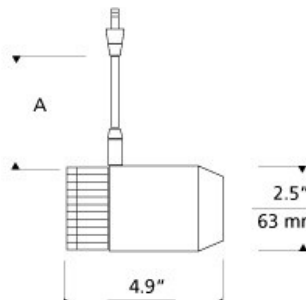
ACCESSORIES & OPTICAL CONTROLS

Colored Lens, Dichroic Lens, Diffuser Lens, Eggcrate Louver, Linear Spread Lens, Soft Focus Lens, UV Filter

ORDERING INFORMATION

| 700 | SYSTEM | VRN | SHAPE OR SIZE | LENGTH | FINISH |
|-----|-----------------------|-----|--------------------------|-------------|----------------|
| FJ | FREEJACK (MONO POINT) | | 831680 CRI 3000K LED 16° | 03 3" 06 6" | S SATIN NICKEL |
| MO | MONORAIL | | 832880 CRI 3000K LED 28° | 12 12" | |
| MO2 | TWO-CIRCUIT MONORAIL | | 834580 CRI 3000K LED 45° | 18 18" | |

Note: When installing on MO2 only magnetic transformers may be used.



TECH LIGHTING®

7400 Linder Avenue T 847.410.4400
 Skokie, Illinois 60077 F 847.410.4500

www.techlighting.com

700 ____ VRN ____

FIXTURE TYPE: _____

JOB NAME: _____

NOTES: _____

