

Shy & Spy

700SPSH_

1.6

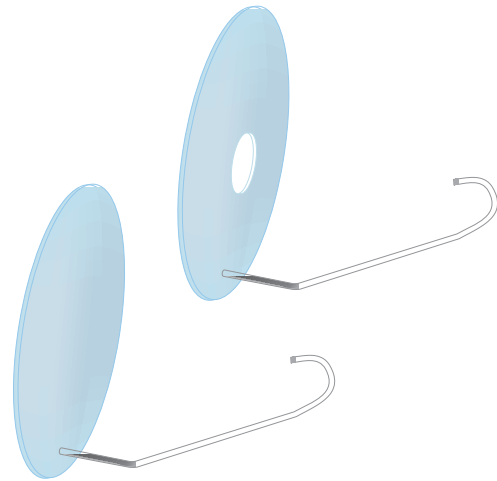


GENERAL PRODUCT INFORMATION:

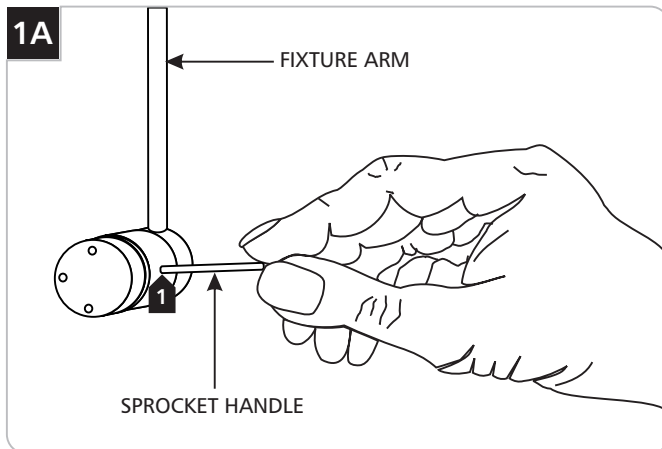


This product is suitable for indoor dry locations only.

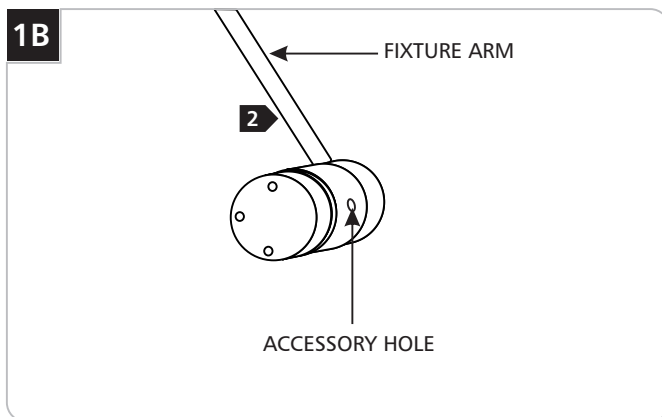
This product must be used with Tech Lighting Sprocket fixture only.



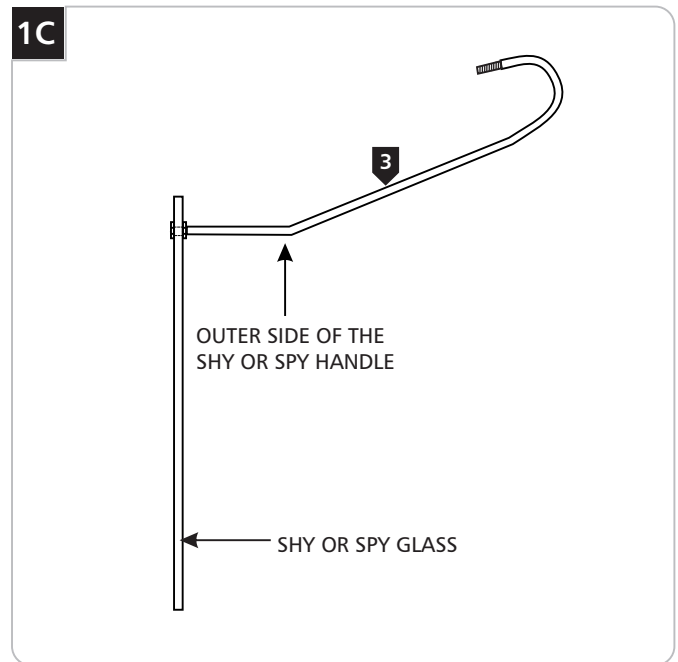
Install the Shy or Spy



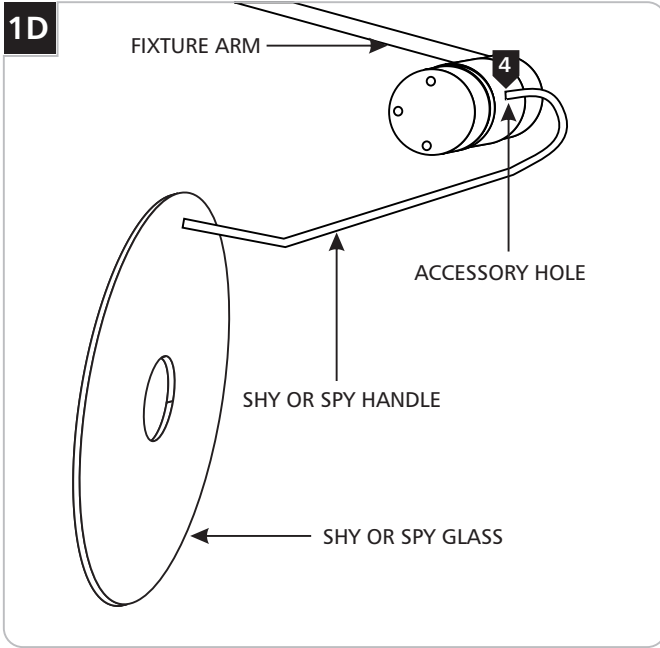
1 Unscrew the Sprocket handle. Use pliers if the handle is tight.



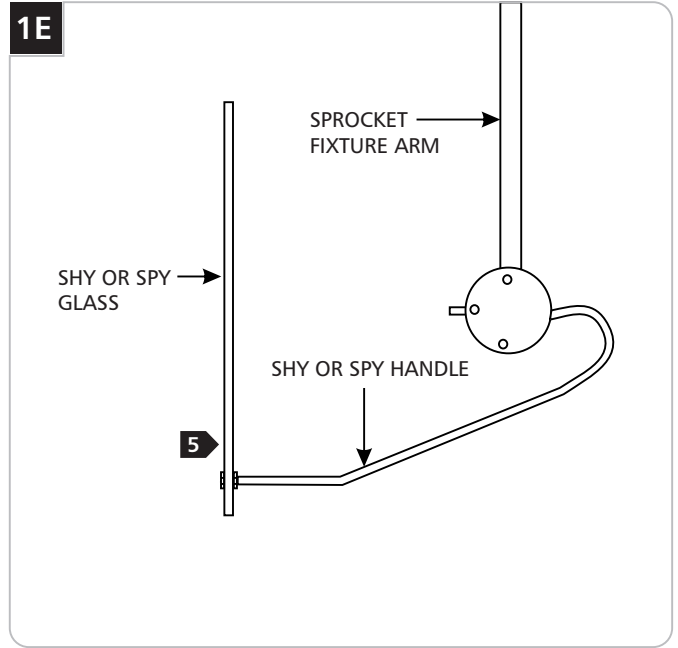
2 Rotate the Sprocket fixture arm away from the accessory hole.



3 Rotate the Shy or Spy glass 180° toward the outer side of the Shy or Spy handle.



4 Screw the Shy or Spy handle into the accessory hole. Tighten the Shy or Spy handle firm into position. **Do not overtighten.**



5 Rotate the Shy or Spy glass and the Sprocket fixture arm back to their original positions.

SAVE THESE INSTRUCTIONS!



TECH LIGHTING®

7400 Linder Ave, Skokie, IL 60077
847.410.4400

www.techlighting.com

© 2008 Tech Lighting, L.L.C. All rights reserved. The "Tech Lighting" graphic is a registered trademark of Tech Lighting, L.L.C. Tech Lighting reserves the right to change specifications for product improvements without notification.
A Generation Brands Company