

Playa Sconce

700WSPLA_ 1.1



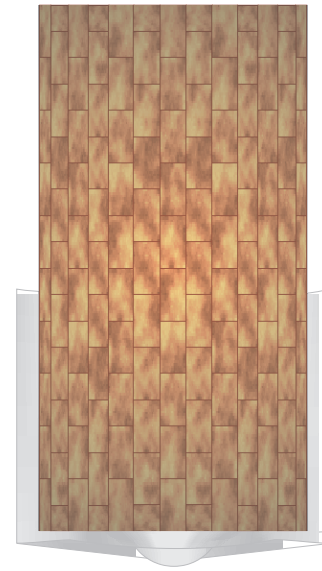
GENERAL PRODUCT INFORMATION:



This product can mount to either a 4" square electrical box with round plaster ring or an octagon electrical box.

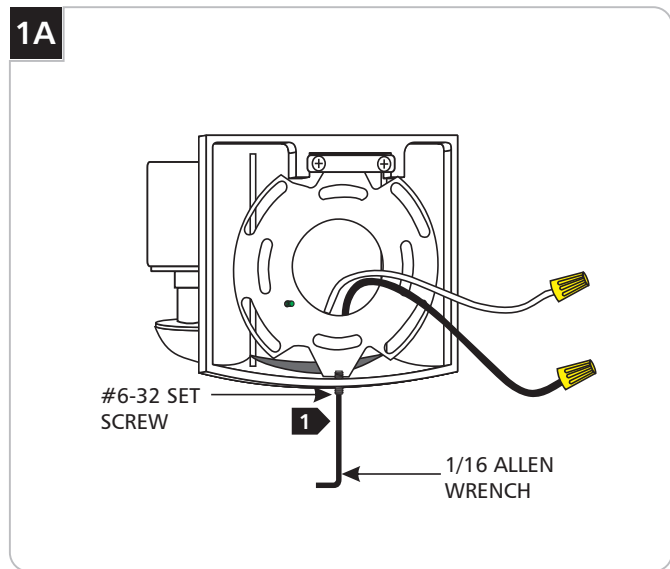
This product is suitable for indoor dry locations only.

This product can be dimmed with a standard incandescent dimmer.

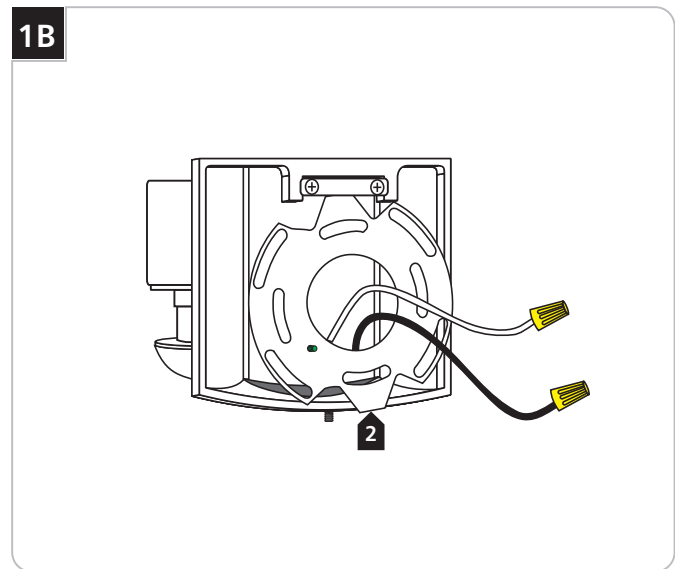


CAUTION—RISK OF FIRE
This product requires installation by a qualified electrician. Before installing be sure to read all instructions and **TURN THE POWER TO THE ELECTRICAL BOX OFF.**

Remove the Mounting Plate from the Sconce Base



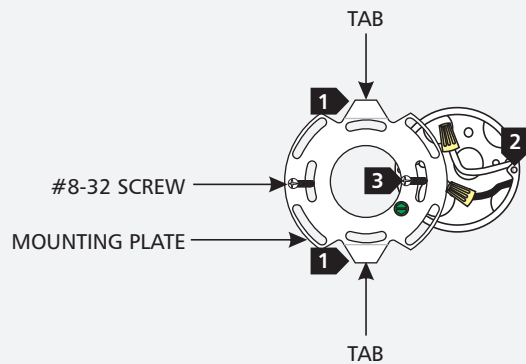
1 Loosen (Do Not Remove) the #6-32 set screw at the base of the sconce with the provided 1/16 Allen wrench.



2 Remove the mounting plate by pulling the bottom of the mounting plate out and then down.

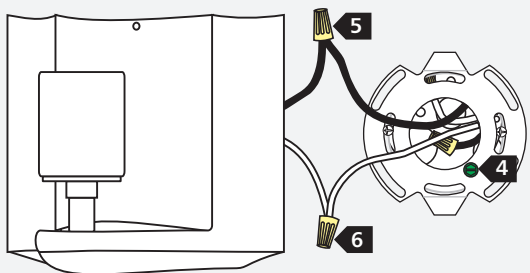
Mount the Sconce to the Electrical Box

2A



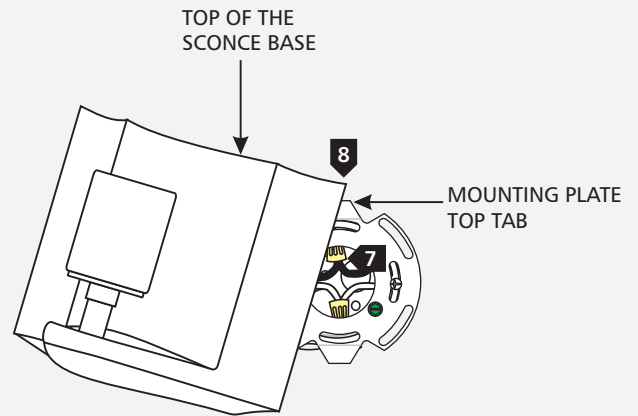
- 1 Make sure the two tabs on the mounting plate are positioned at the top and bottom of the plate.
- 2 Line up two mounting plate slots with the two electrical box holes.
- 3 Level the mounting plate vertically and secure it to the electrical box with the two #8-32 screws provided.

2B



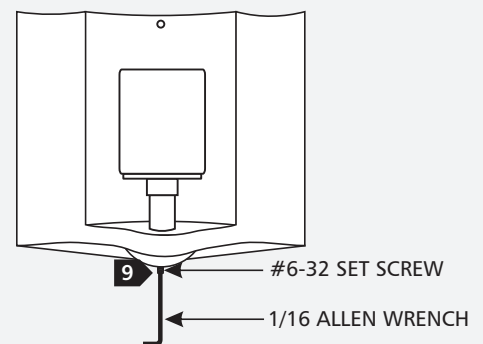
- 4 Make sure that the mounting plate is grounded in accordance with local electrical codes.
- 5 Connect the black sconce wire to the hot power line wire with a wire nut.
- 6 Connect the white sconce wire to the neutral power line wire with a wire nut.

2C



- 7 Place all wires and wire nut connections properly inside the electrical box.
- 8 Hook the top of the sconce base over the mounting plate top tab.

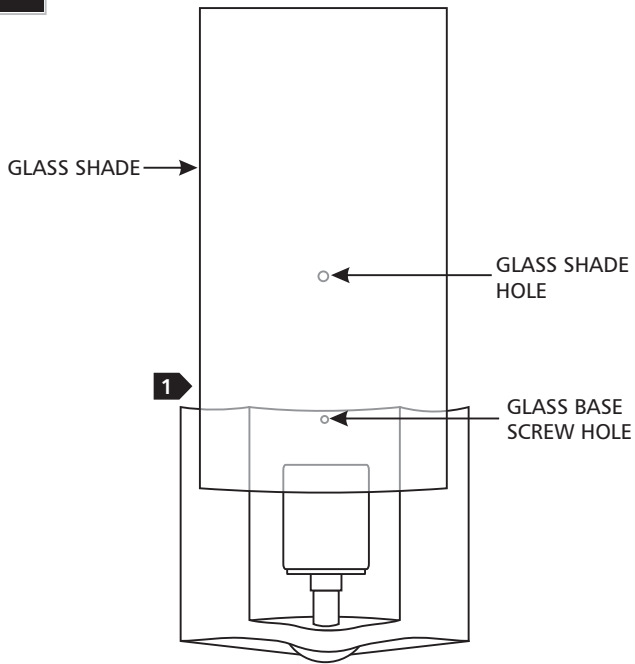
2D



- 9 Level the sconce vertically and secure it to the mounting plate by tightening the #6-32 set screw at the base of the sconce with the 1/16 Allen wrench.

Install the Glass Shade & lamp

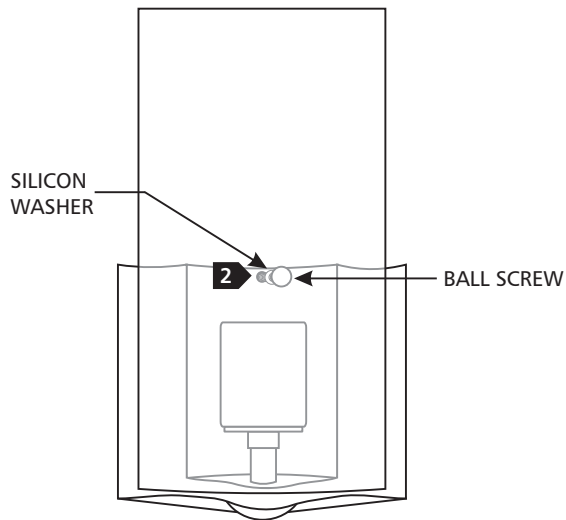
3A



CAUTION: To reduce the risk of a burn or electric shock during relamping, disconnect the power to the fixture by turning the wall switch off.

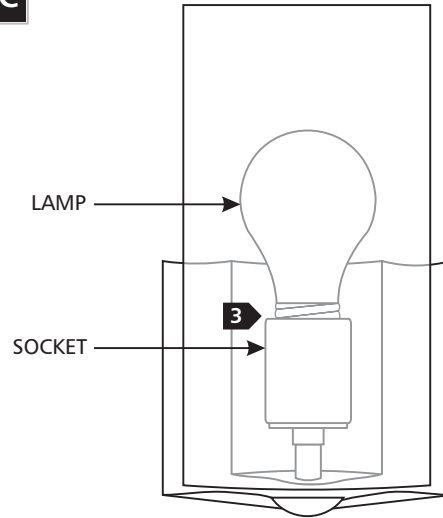
- 1 Carefully place the glass shade onto the scone base and line up the glass shade hole with the scone base screw hole.

3B



- 2 Tighten the provided ball screw and silicon washer through the glass shade hole into the scone base screw hole to secure the glass shade in place.

3C



Use **MAX** 120 Volt, 60 Watt Type A19 Medium Base Lamp.



- 3 Screw the lamp completely into the socket.

SAVE THESE INSTRUCTIONS!



7400 Linder Ave, Skokie, IL 60077
847.410.4400

www.techlighting.com

© 2008 Tech Lighting, L.L.C. All rights reserved. The "Tech Lighting" graphic is a registered trademark of Tech Lighting, L.L.C. Tech Lighting reserves the right to change specifications for product improvements without notification.
A Generation Brands Company