



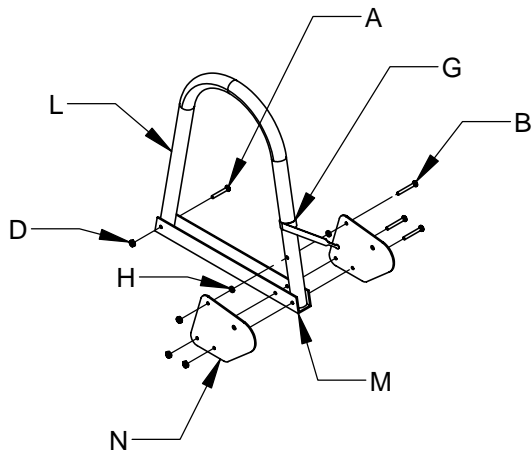
Installation/Assembly Instructions for Folding Dock/Raft Pontoon Ladder

Form 12.549

Assembly Instructions:

Step 1: Hand rail assembly

1. Insert hand rail (L) into channel (M). Secure in place with (1) A and (1) D fasteners.
2. Attach (2) hinge plates to channel/rail from step 1 using (3) B, (3) D, and (2) H fasteners.
3. For 3 step ladder proceed to step 3
4. For 4 and 5 step ladder proceed to step 2



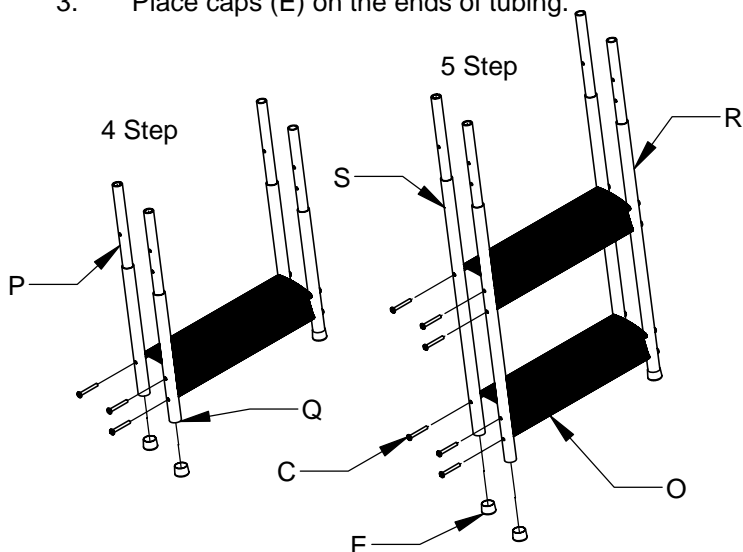
Step 2: Ladder addition assemblies

4 Step Model

1. Align (1) step (O) with (2) VRT 1's (P) and (2) VRT 2's (Q).
2. Attach step with (6) self tapping screws (C).
3. Place caps (E) on the ends of tubing

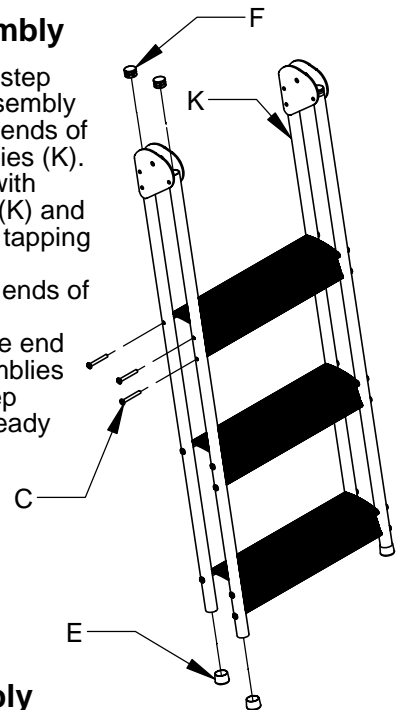
5 Step Model

1. Align (2) step (O) with (2) VRT 3's (R) and (2) VRT 4's (S).
2. Attach step with (12) self tapping screws (C).
3. Place caps (E) on the ends of tubing.



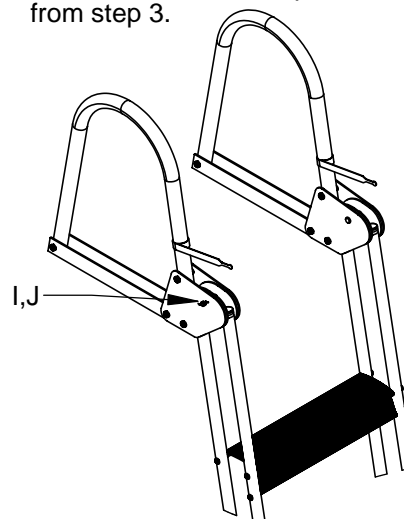
Step 3: Ladder assembly

1. If you have a 4 or 5 step ladder insert the assembly from step 2 into the ends of the vertical assemblies (K).
2. Align (3) steps (O) with vertical assemblies (K) and attach with (18) self tapping screws (C).
3. Insert plugs (F) into ends of vertical assemblies
4. Place caps (E) at the end of the vertical assemblies (for 4 step and 5 step ladders this was already done in step 2).



Step 4: Final assembly

1. Using (2) clevis pins (I) and (2) hair pins (J) secure the hand rails from step 1 to the ladder assembly from step 3.



CAUTION:
TIGHTEN ALL
FASTENERS PRIOR
TO USE

Step 5: Mounting Instructions

1. Choose a suitable location with a solid mounting surface. A backing plate is recommended for thin surfaces.
2. With the channels in contact with the deck, mark the mounting hole locations.
3. Drill appropriate holes for fasteners (note: fasteners not included). **CAUTION:** Insure area in which drilling is being conducted is clear and free of obstacles.
4. Secure ladder in position.

Write for
a Complete
EE3-In Catalog

GARELICK
644 2nd Street, PO Box 8
St. Paul Park, Minnesota 55071

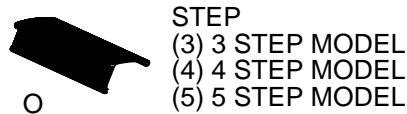
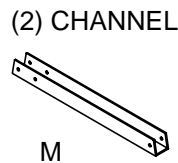
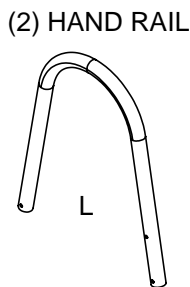
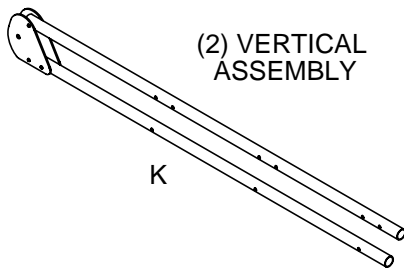
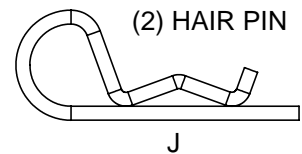
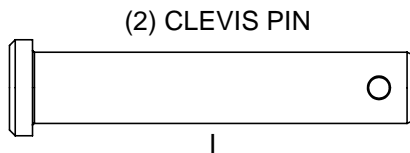
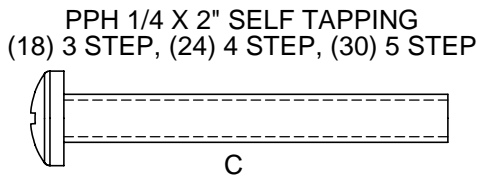
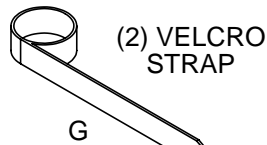
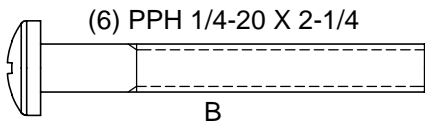
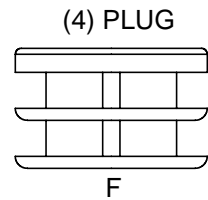
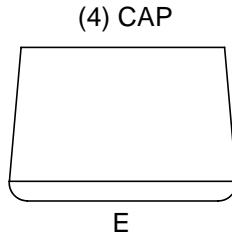
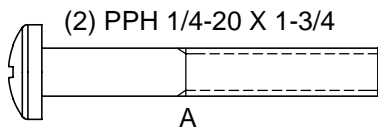
Phone: 651-459-9795
E-mail: mail@garelick.com
Website: www.garelick.com

07/05

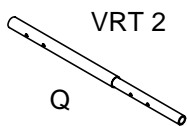
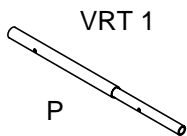


PARTS LIST FOR FOLDING DOCK/RAFT PONTOON LADDER

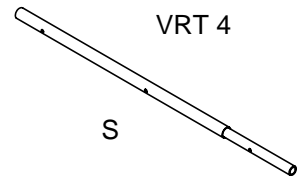
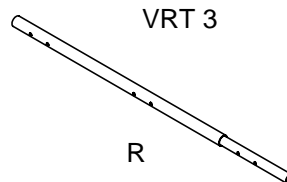
Form 12.549



4 STEP VERTICALS
(4 STEP MODEL ONLY)



5 STEP VERTICALS
(5 STEP MODEL ONLY)



Write for
a Complete
EEZ-It Catalog

GARELICK
644 2nd Street, PO Box 8
St. Paul Park, Minnesota 55071

Phone: 651-459-9795
E-mail: mail@garelick.com
Website: www.garelick.com

07/05