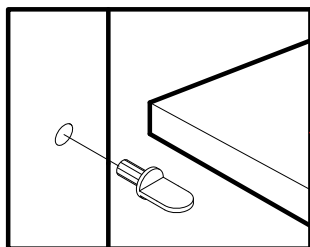


Parts Key

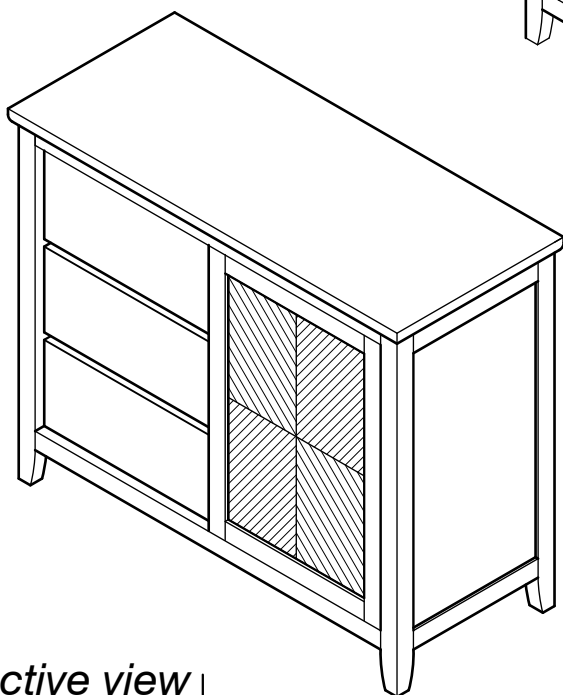
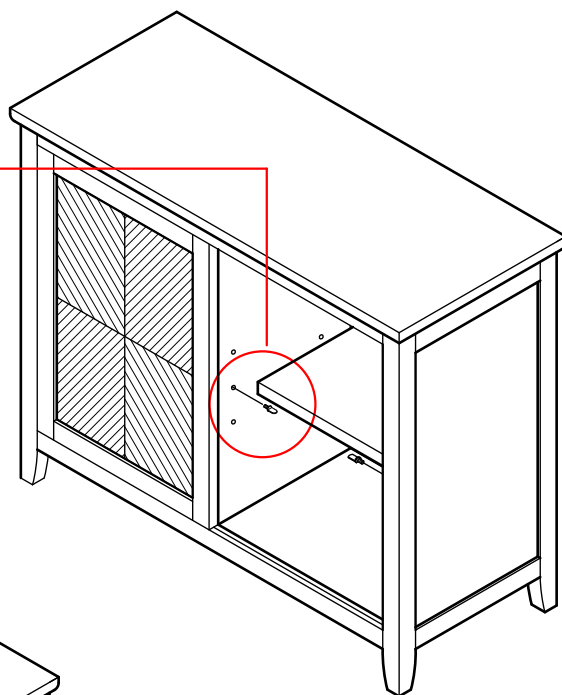
845-42P51	Storage Box
845-42P05	Drawer
845-42P06	Drawer Glide
845-42P07	Door
845-42P07S	Door Pin/Wheel Set
845-42P08	Shelf
845-42P08P	Shelf Pin

STEP : 1

- Carefully turn Server Unit upright (2 people recommended to do so).
Insert Shelf Pins into locations of desired shelf height using 4 pins
per shelf. Set Shelf upon secured Shelf Pins.



DETAIL : A



Perspective view