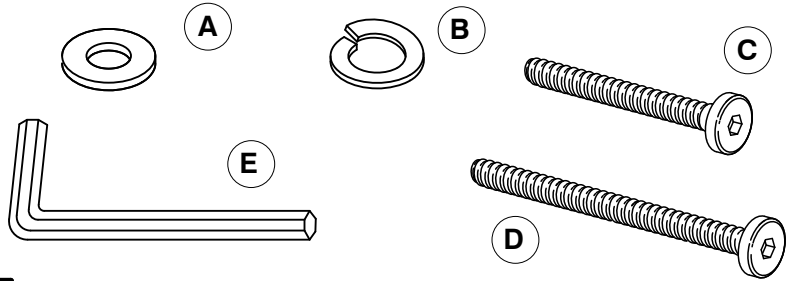
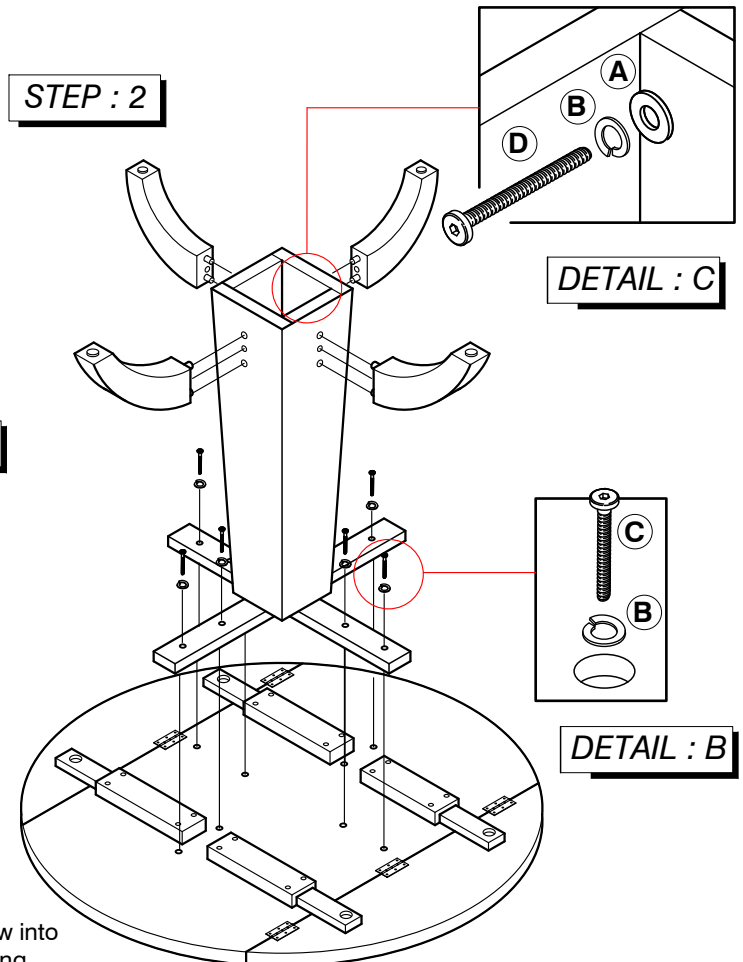
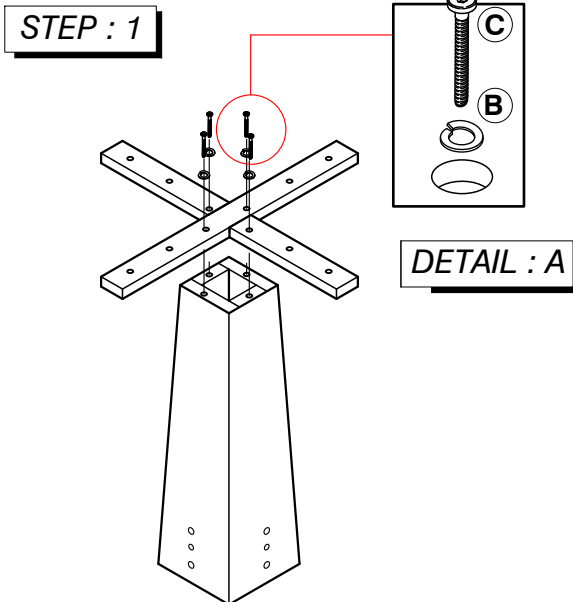


Hardware Kit (845-40P01)		
NO.	Q.TY	DESCRIPTION
A	4 PCS.	FLAT WASHER
B	16 PCS.	LOCK WASHER
C	12 PCS.	SHORT KD.SCREW
D	4 PCS.	LONG KD.SCREW
E	1 PC.	ALLEN WRENCH



Parts Key	
845-40P01H	Drop Leaf Hinge
845-40P14	Pedestal Drum
845-40P15	Pedestal Foot
845-40P24	Replacement Table Top
845-40P28	Drop Leaf
845-40P29	Mounting Plate Cross
845-40P36	Drop Leaf Support



STEP : 1

- Affix Wood cross into bottom of the Post as shown in illustration. Screw a Lock Washer and Short KD.Screw into the hole on Wood Cross, fully tighten screws by turning clockwise using provided Allen Wrench until secure (see Detail A).

STEP : 2

- Carefully lay Table Top upside down on a smooth flat surface to prevent scratches. Affix Post assembled to the Table Top as shown in illustration. Screw a Lock Washer and Short KD.Screw into the hole of Wood cross, fully tighten screws by turning clockwise using provided Allen Wrench until secure (see Detail B). Affix each Leg to each side of the Post as shown in illustration. Screw a Flat Washer, Lock Washer and Long KD.Screw into the hole of each Leg. Once all Legs are in place, fully tighten nuts by turning clockwise using provided Allen Wrench until secure (see Detail C).