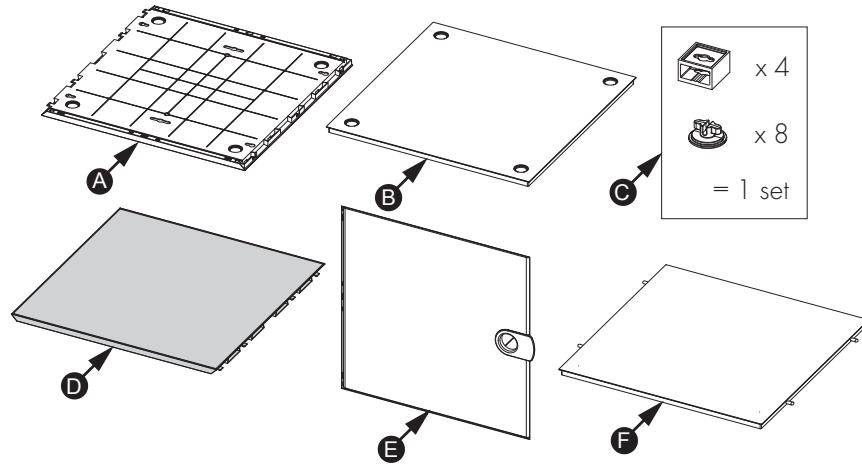


Contents:

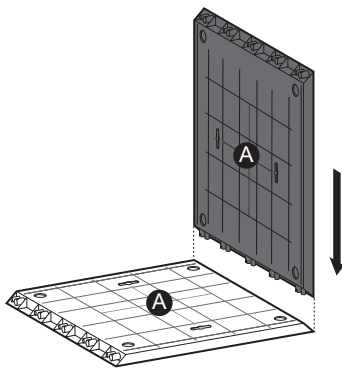
4 Cube Kit

- A** 10 x panels
(for interior of cube)
- B** 4 x back panels
- C** 4 x connector sets
1 x spare connector set
- D** 6 x décor panels
(for exterior of cube)
- E** 1 x door
- F** 1 x shelf

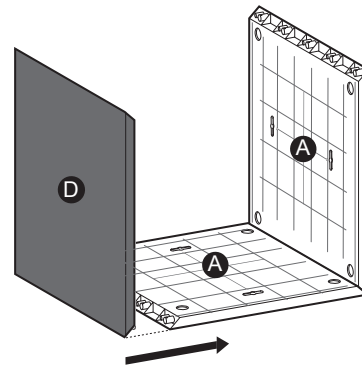


NOTE: Coin or similar is advised to turn screws to lock in
Refer to www.icubeconcepts.com for more detailed assembly instructions

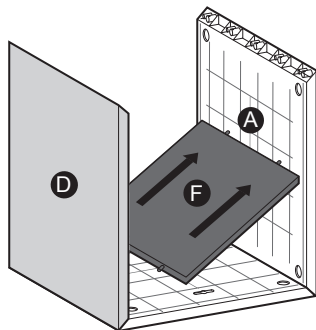
1



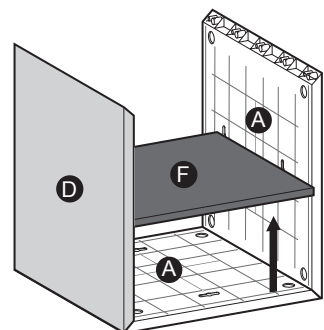
2



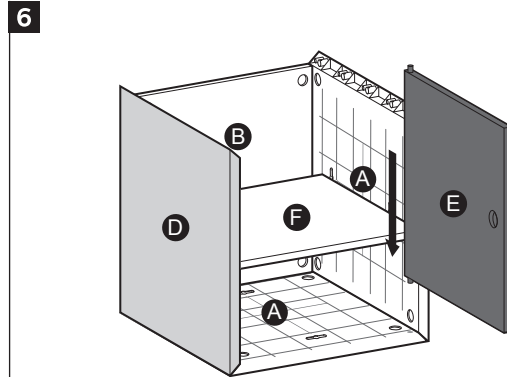
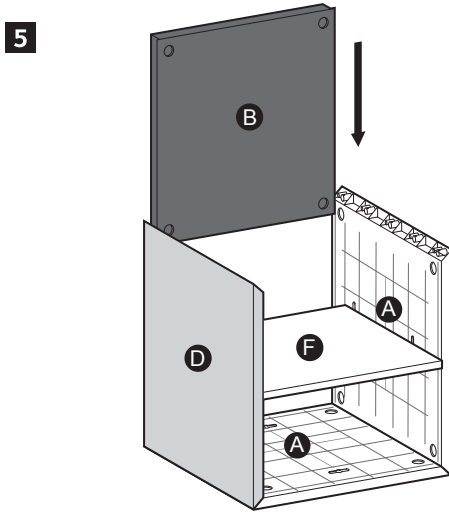
3



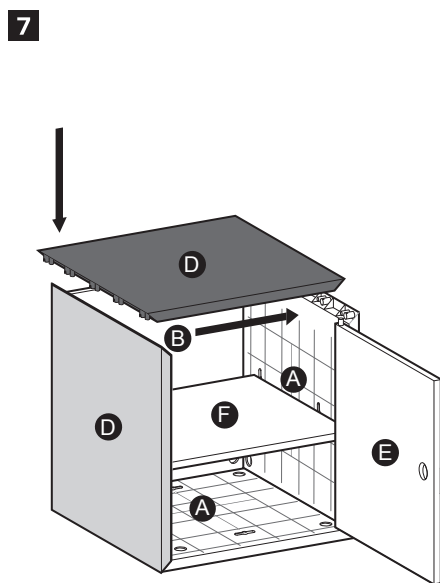
4



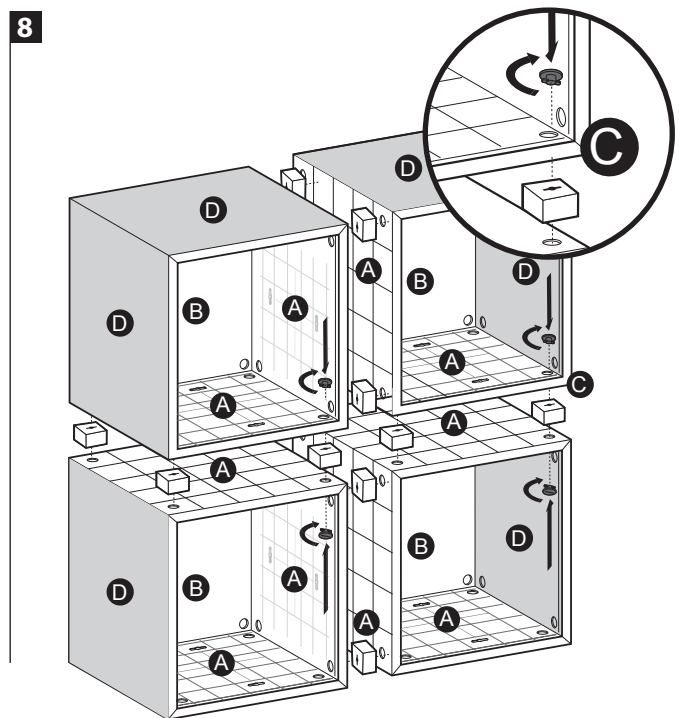
NOTE:
shelf to be inserted prior
to top panel being fitted



NOTE:
door to be inserted prior
to top panel being fitted



This constructs the **top left cube**
of the 4 cube kit (as shown in #8)



All **iCube®** accessories - door, shelf, crate, fabric drawers (1/4, 1/2 and full)
can be purchased separately, see stockist or visit our website for details.

www.icubeconcepts.com

