

installation instructions:

# APPLIQUES & ONLAYS

## SAFETY INSTRUCTIONS

Make sure to use the correct tools recommended.

Wear safety goggles.

Follow fixture, power tools, and paint manufacturers' instructions and users manuals.

Use common sense and follow good construction practices.

Medallions are not load bearing. Do not use them to support electrical fixtures or ceiling fans.

## TOOL & MATERIAL CHECKLIST

- construction adhesive
- elastomeric adhesive caulk
- caulking gun
- nail gun
- finishing nails
- extra fine sandpaper
- putty knife

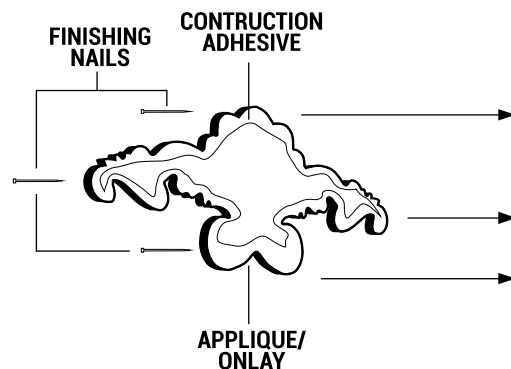
## IMPORTANT INFO

- It is highly recommended that you paint/finish our appliques before you install them. Once installed, you can apply any necessary touchup paint/finish.
- Clean installation surface and back of appliques of all dirt and dust with a clean cloth or sponge.
- Make sure that the surface and the back of the applique are completely dry before attempting installation.
- Measure and mark the location where the applique is going to be installed.

## INSTALL INSTRUCTIONS:

1. Lay the applique face down on a soft surface that will not scratch/dent the applique detail.
2. Apply a 1/2" bead of adhesive caulk all the way around the back edge of the applique.
3. When pressing the applique up against the surface, some adhesive caulk will seep out. Smooth excess caulk around the applique with a finger or the putty knife and apply extra caulk that is needed to fill in any gaps.
4. Wipe off any excess adhesive caulk with a sponge or damp rag.
5. Larger appliques will need to be installed with nails in addition to the adhesive.

## EXAMPLE DIAGRAM:



installation instructions:

# BRACKETS & CORBELS

## SAFETY INSTRUCTIONS

Make sure to use the correct tools recommended.

Wear safety goggles.

Follow fixture, power tools, and paint manufacturers' instructions and users manuals.

Use common sense and follow good construction practices.

Medallions are not load bearing. Do not use them to support electrical fixtures or ceiling fans.

## TOOL & MATERIAL CHECKLIST

- construction adhesive
- elastomeric adhesive caulk
- caulking gun
- nail gun
- finishing nails
- extra fine sandpaper
- putty knife

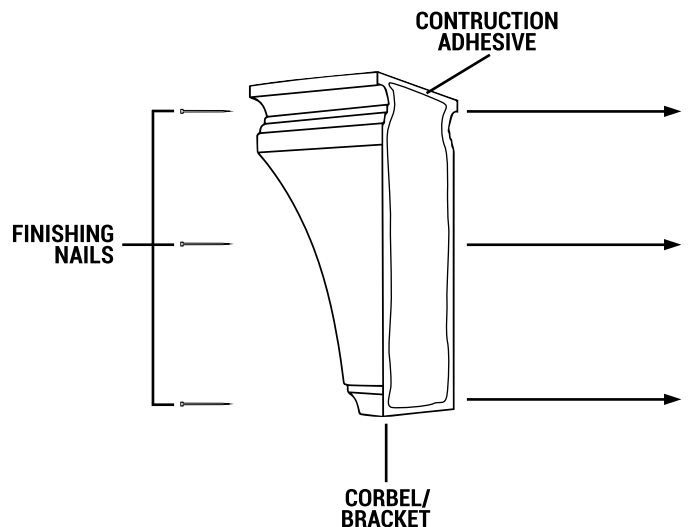
## IMPORTANT INFO

- It is highly recommended that you paint/finish our brackets or corbels before you install them.
- Once installed, you can apply any necessary touchup paint/finish.
- Clean installation surface and back of bracket of all dirt and dust with a clean cloth or sponge.
- Make sure that the surface and the back of the bracket are completely dry before attempting installation.
- Measure and mark the location where the bracket is going to be installed.

## INSTALL INSTRUCTIONS:

1. Lay the bracket or corbel face down on a soft surface that will not scratch/dent the bracket detail.
2. Apply a 1/2" bead of adhesive caulk all the way around the back edge of the bracket.
3. When pressing the bracket up against the surface, some adhesive caulk will seep out. Smooth excess caulk around the bracket with a finger or the putty knife and apply extra caulk that is needed to fill in any gaps.
4. Wipe off any excess adhesive caulk with a sponge or damp rag.
5. Finishing nails may be used for added support. If used, fill in any nail holes with caulk and smooth the surface with a finger. Let any excess caulk dry. Once dry, lightly sand with extra fine sandpaper.
6. Touchup bracket with touchup paint as needed

## EXAMPLE DIAGRAM:



# CEILING MEDALLION

## SAFETY INSTRUCTIONS

Make sure to use the correct tools recommended.

Wear safety goggles.

Follow fixture, power tools, and paint manufacturers' instructions and users manuals.

Use common sense and follow good construction practices.

Medallions are not load bearing. Do not use them to support electrical fixtures or ceiling fans.

### TOOL & MATERIAL CHECKLIST

- construction adhesive
- elastomeric adhesive caulk
- caulking gun
- power drill or screw driver
- wood or drywall screws
- extra fine sandpaper
- putty knife

### IMPORTANT INFO

- It is highly recommended that you paint or finish your medallion before you install it.
- Once installed, you can apply any necessary touchup paint or finish.
- Clean the installation surface and back of medallion of any debris with a clean cloth or sponge.
- Make sure that the surface and the back of the medallion are completely dry before attempting installation.
- Measure and mark the location where the medallion is going to be installed.

### IMPORTANT NOTE:

When installing medallions with a light fixture or ceiling fan turn the power off at the breaker before installation. Medallions are solely decorative. Do not use medallions to support the light fixture or fan. Do not use the fixture or fixture canopy to support the medallion. To ensure all electrical codes are met, make sure to consult with a licensed electrician.

#### Permanent Medallion Installation with a Light Fixture or Ceiling Fan

1. Disconnect and remove current fixture before installing the medallion (if a current fixture is already installed).
2. Measure the fixture canopy. Drill/cut a hole, smaller than the canopy size, in the center of the medallion that is no larger than the canopy size.
3. Lay the medallion face down on a soft surface that will not scratch/dent the medallion detail and apply a 1/2" bead of adhesive caulk all the way around the back edge of the medallion.
4. Feed the electrical wiring through the medallion's center hole and gently press the medallion up against the ceiling.
5. When pressing the medallion up against the ceiling, some adhesive caulk will seep out. Smooth excess caulk around the medallion with a finger or the putty knife and apply extra caulk as needed to fill in any gaps.
6. Wipe off any excess adhesive caulk with a sponge or damp rag.
7. Larger medallions will need to be installed with screws or finishing nails in addition to the adhesive.
8. Fill any screw or nail holes with caulk and smooth the surface with a finger or the putty knife. If any excess caulk is left, let it dry, and then lightly sand it down with extra fine sand paper.
9. Reconnect the ceiling fixture or ceiling fan following the manufacturer's guidelines.
10. Slide fixture canopy up to medallion and tighten. Make sure it fits snugly against the medallion.
11. Touch up the medallion with any paint that is needed.

#### Removable Medallion Installation with a Light Fixture or Ceiling Fan

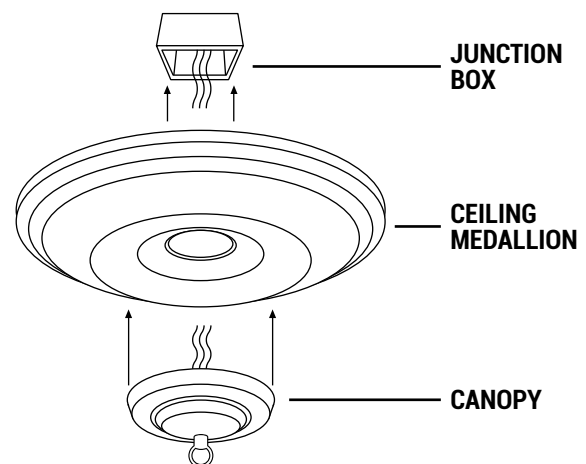
(This process allows for easy removal of the medallion for electrical wiring access)

1. Follow steps 1 and 2 from "Permanent Medallion Installation"
2. Feed the electrical wiring through the medallion's center hole.
3. Install using finishing nails.
4. Countersink nails using nail set and fill any holes with caulking. Smooth the caulk with your finger or putty knife. Once the caulk is dry, lightly sand it smooth if needed.
5. OPTIONAL: Apply latex caulk around the edge of the medallion, blending the medallion into the ceiling (this will make removal slightly more difficult).
6. Reconnect the light fixture or fan according to the manufacturer's guidelines.
7. Slide fixture canopy up to medallion and tighten. Make sure it fits snugly against the medallion.
8. Touch up the medallion with any paint that is needed.

#### Medallion Installation without a Light Fixture or Ceiling Fan

1. Lay the medallion face down on a soft surface that will not scratch/dent the medallion detail.
2. Apply a 1/2" bead of adhesive caulk all the way around the back edge of the medallion.
3. Gently press the medallion up against the ceiling or wall.
4. When pressing the medallion up against the ceiling or wall, some adhesive caulk will seep out.
5. Smooth excess caulk around the medallion with a finger or the putty knife and apply extra caulk that is needed to fill in any gaps.
6. Wipe off any excess adhesive caulk with a sponge or damp rag.
7. Larger medallions will need to be installed with screws or nails in addition to the adhesive.

## EXAMPLE DIAGRAM:



installation instructions:

# CEILING RINGS

## SAFETY INSTRUCTIONS

Make sure to use the correct tools recommended.

Wear safety goggles.

Follow fixture, power tools, and paint manufacturers' instructions and users manuals.

Use common sense and follow good construction practices.

Medallions are not load bearing. Do not use them to support electrical fixtures or ceiling fans.

## TOOL & MATERIAL CHECKLIST

- Loctite Power Grab
- elastomeric adhesive caulk
- caulking gun
- nail gun
- finishing nails
- extra fine sandpaper
- putty knife

## IMPORTANT INFO

- It is highly recommended that you paint/finish our appliques before you install them. Once installed, you can apply any necessary touchup paint/finish.
- Clean installation surface and back of appliques of all dirt and dust with a clean cloth or sponge.
- Make sure that the surface and the back of the applique are completely dry before attempting installation.
- Measure and mark the location where the applique is going to be installed.

## INSTALL INSTRUCTIONS:

### WHOLE INSTALLATION

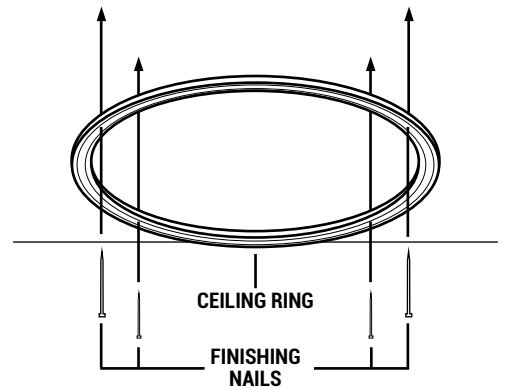
1. Lay the ring face down on a soft surface that will not scratch/dent the medallion detail.
2. Apply a 1/2" bead of adhesive caulk (we strongly recommend Loctite Power Grab) all the way around the back edge of the ring.
3. Gently press the ring up against the ceiling or wall.
4. When pressing the ring up against the ceiling or wall, some adhesive caulk will seep out. Smooth excess caulk around the ring with a finger or the putty knife and apply extra caulk that is needed to fill in any gaps.
5. Wipe off any excess adhesive caulk with a sponge or damp rag.
6. Larger rings will need to be installed with nails in addition to the adhesive.  
Note: If you would like to remove the nails after the adhesive sets, leave at least 1/2" of the nail sticking out from the ring, so you can easily pull it out.

### QUARTER INSTALLATION

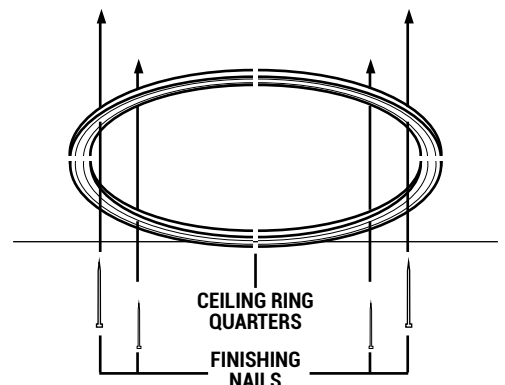
1. Lay the pieces of the ring face down on a soft surface that will not scratch/dent the medallion detail.
2. Miter the ends of the pieces so that they form a circle and the details match up.
3. Apply a 1/2" bead of adhesive caulk (we strongly recommend Loctite Power Grab) all the way around the back edge of the ring.
4. Gently press the ring up against the ceiling or wall.
5. When pressing the ring up against the ceiling or wall, some adhesive caulk will seep out. Smooth excess caulk around the ring with a finger or the putty knife and apply extra caulk that is needed to fill in any gaps.
6. Wipe off any excess adhesive caulk with a sponge or damp rag.
7. Larger rings will need to be installed with nails in addition to the adhesive.  
Note: If you would like to remove the nails after the adhesive sets, leave at least 1/2" of the nail sticking out from the ring, so you can easily pull it out.

## EXAMPLE DIAGRAM:

### WHOLE INSTALLATION



### QUARTER INSTALLATION



installation instructions:

# CROSSHEAD/PEDIMENT

## SAFETY INSTRUCTIONS

Make sure to use the correct tools recommended.

Wear safety goggles.

Follow fixture, power tools, and paint manufacturers' instructions and users manuals.

Use common sense and follow good construction practices.

Medallions are not load bearing. Do not use them to support electrical fixtures or ceiling fans.

## TOOL & MATERIAL CHECKLIST

- construction adhesive
- elastomeric adhesive caulk
- caulking gun
- finishing nails
- hammer
- putty knife
- extra fine sandpaper
- tape measure
- jigsaw or keyhole saw

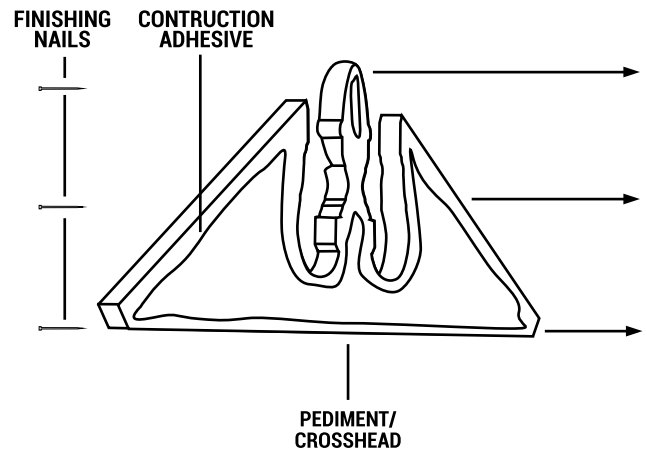
## IMPORTANT INFO

- It is highly recommended that you paint/finish our crossheads before you install them. Once installed, you can apply any necessary touchup paint/finish.
- Clean installation surface and back of crosshead of all dirt and dust with a clean cloth or sponge.
- Make sure that the surface and the back of the crosshead are completely dry before attempting installation.

## INSTALL INSTRUCTIONS:

1. Lay the crosshead face down on a soft surface that will not scratch/dent the medallion detail.
2. Apply a continuous 1/2" bead of adhesive caulk along the back of the crosshead.
3. Place the crosshead on top of the entrance opening.
4. Align crosshead with the outer edges of the opening or pilasters. (Note: The crosshead can be slightly larger than the opening as long as the overhang is equal on both sides.)
5. Fasten the crosshead using PL Premium Construction Adhesive and any necessary fasteners.
6. Use a finger or putty knife to smooth any excess adhesive around the crosshead.
7. Use latex caulk to seal edges around crosshead. Use a finger or putty knife to smooth caulk.
8. Touch up crosshead using a high quality latex paint.

## EXAMPLE DIAGRAM:



installation instructions:

# CEILING DOMES

## SAFETY INSTRUCTIONS

Make sure to use the correct tools recommended.

Wear safety goggles.

Follow fixture, power tools, and paint manufacturers' instructions and users manuals.

Use common sense and follow good construction practices.

Medallions are not load bearing. Do not use them to support electrical fixtures or ceiling fans.

## TOOL & MATERIAL CHECKLIST

- |   |   |
|---|---|
| <input type="checkbox"/> construction adhesive      | <input type="checkbox"/> tape measure           |
| <input type="checkbox"/> elastomeric adhesive caulk | <input type="checkbox"/> framing square         |
| <input type="checkbox"/> caulking gun               | <input type="checkbox"/> utility knife          |
| <input type="checkbox"/> drywall screws             | <input type="checkbox"/> power drill            |
| <input type="checkbox"/> hammer                     | <input type="checkbox"/> 2x4 and/or 2x6 framing |
| <input type="checkbox"/> miter saw                  | <input type="checkbox"/> reciprocating saw      |
| <input type="checkbox"/> construction hanging wire  |   |

## IMPORTANT INFO

- It is highly recommended that you paint/finish our domes before you install them.
- Once installed, you can apply any necessary touchup paint/finish.
- Clean installation surface and back of dome of all dirt and dust with a clean cloth or sponge.
- Make sure that the surface and the back of the dome are completely dry before attempting installation.

## INSTALL INSTRUCTIONS:

### Recess Mount

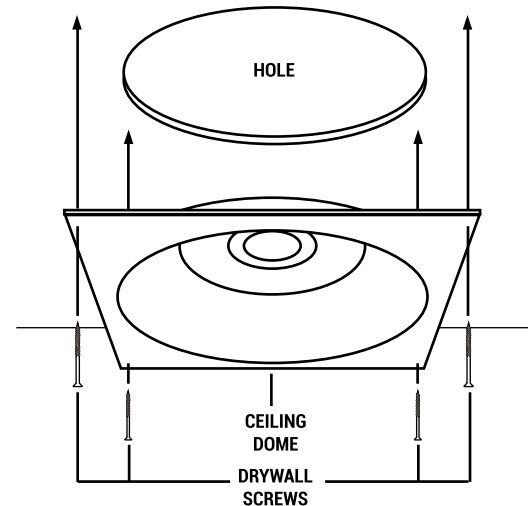
1. Create a rough opening template. Lay the dome on a flattened piece of cardboard. Trace the outline of the dome on the cardboard. Next, draw an inside outline about 1 1/2" inside the outer outline. Using heavy duty scissors or a knife, cut along the inside outline.
2. Screw the template into the ceiling at the desired location.
3. Cut through the drywall along the edge of the template. Remove any drywall in the way. Reinforce existing framing by adding additional framing to support the edges of the Dome.
4. Apply an 1/2" continuous bead of polyurethane construction adhesive on the inside of the dome rim. Lift the dome into the rough opening. Drive drywall screws through the rim of the dome and into the framing. Countersink screws (countersinking allows the screw heads to be covered by spackle after installation).
5. Fill any chips or scrapes with lightweight spackle. Sand spackle after it has dried. Use a high quality latex paint to touch up dome.

### Surface Mount

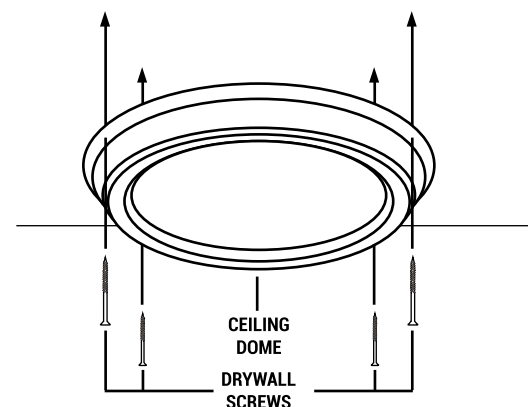
1. Lay the dome face down on a soft surface that will not scratch/dent the dome detail.
2. Apply a 1/2" bead of adhesive caulk all the way around the back edge of the dome.
3. Gently press the dome up against the ceiling.
4. When pressing the dome up against the ceiling some adhesive caulk will seep out. Smooth excess caulk around the dome with a finger or the putty knife and apply extra caulk that is needed to fill in any gaps.
5. Wipe off any excess adhesive caulk with a sponge or damp rag.
6. Drywall screws can be used for added support. Countersink screws through the rim of the dome into the ceiling.
7. Cover screw heads and any imperfections on dome with lightweight spackle.
8. Once dry, lightly sand spackle.
9. Touch up the dome using high quality latex paint as needed.

## EXAMPLE DIAGRAM:

### Recess Mount



### Surface Mount



installation instructions:

# GABLE VENT

## SAFETY INSTRUCTIONS

Make sure to use the correct tools recommended.

Wear safety goggles.

Follow fixture, power tools, and paint manufacturers' instructions and users manuals.

Use common sense and follow good construction practices.

Medallions are not load bearing. Do not use them to support electrical fixtures or ceiling fans.

## TOOL & MATERIAL CHECKLIST

- construction adhesive
- elastomeric adhesive caulk
- caulking gun
- finishing nails
- hammer
- putty knife
- chalk line box & pencil

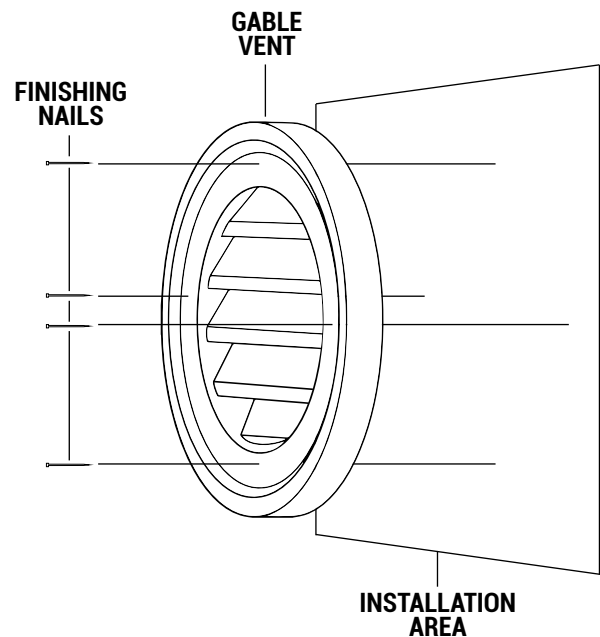
## IMPORTANT INFO

- It is highly recommended that you paint/finish our gable vents before you install them. Once installed, you can apply any necessary touchup paint/finish.
- Clean installation surface and back of vent of all dirt and dust with a clean cloth or sponge.
- Make sure that the surface and the back of the vent are completely dry before attempting installation.
- Measure and mark the location where the vent is going to be installed.

## INSTALL INSTRUCTIONS:

1. Lay the vent face down on a soft surface that will not scratch/dent the medallion detail.
2. Apply a 1/2" bead of adhesive caulk all the way around the back edge of the vent.
3. Gently press the vent up against the wall.
4. When pressing the vent up against the wall, some adhesive caulk will seep out. Smooth excess caulk around the vent with a finger or the putty knife and apply extra caulk that is needed to fill in any gaps.
5. Wipe off any excess adhesive caulk with a sponge or damp rag.
6. Noncorrosive fasteners can be used for additional support.
7. Fill any nail holes with caulk and smooth the surface with a finger or the putty knife. If any excess caulk is left, let it dry, and then lightly sand it down with extra fine sand paper.
8. Touch up the vent with any paint that is needed.

## EXAMPLE DIAGRAM:



installation instructions:

# MOULDING

## SAFETY INSTRUCTIONS

Make sure to use the correct tools recommended.

Wear safety goggles.

Follow fixture, power tools, and paint manufacturers' instructions and users manuals.

Use common sense and follow good construction practices.

Medallions are not load bearing. Do not use them to support electrical fixtures or ceiling fans.

## TOOL & MATERIAL CHECKLIST

- construction adhesive
- elastomeric adhesive caulk
- caulking gun
- finishing nails
- miter saw
- putty knife
- chalk line box & pencil

## IMPORTANT INFO

- It is highly recommended that you paint or finish moulding before you install it.
- Once installed, you can apply any necessary touchup paint or finish. Note: A high quality exterior grade latex paint is recommended.
- Place moulding in room 2 to 3 days prior to installation. This allows the moulding to adjust to the temperature of the room.
- Clean installation surface and back of moulding of all dirt and dust with a clean cloth or sponge. Make sure that the surface and the back of the moulding are completely dry before attempting installation.

## INSTALL INSTRUCTIONS:

### Mitering Corners

1. Place moulding in the miter box with the wall side against the side of the miter box opposite you and the ceiling touching side against the bottom of the box.
2. Cut miters and butt joints prior to installation.

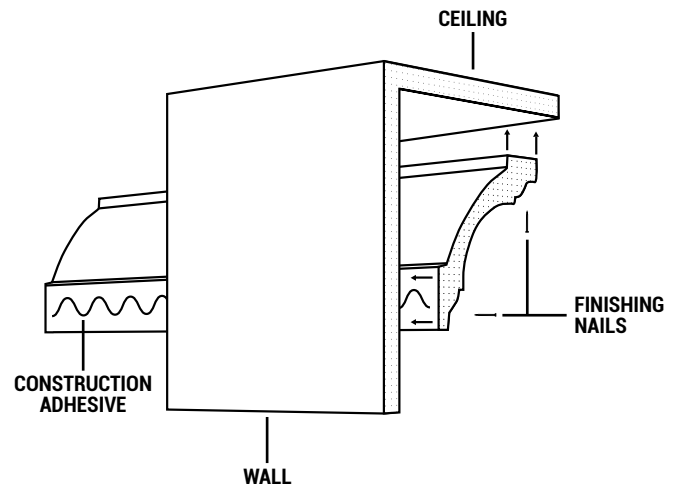
### Crown Moulding Installation

1. Apply a continuous 1/2" bead of construction adhesive along the top and back of moulding lengths and butt joints. Adhesive should be used to fill any gaps. Press moulding into place. Finishing nails should be used to secure moulding.
2. Apply caulk in remaining gaps and smooth with finger or putty knife.
3. Touchup moulding as needed.

### Casing, Chair Rail, Panel & Moulding Installation

1. Apply a continuous 1/2" bead of construction adhesive along the back of moulding lengths. Press moulding against wall at the desired location. Use finishing nails to secure moulding into place.
2. Apply caulk in remaining gaps and smooth with finger or putty knife. Use caulk or lightweight spackle to fill in holes left from finishing nails.
3. Touchup moulding as needed using high quality latex paint.

## EXAMPLE DIAGRAM:





installation instructions:

# WALL NICHE

## SAFETY INSTRUCTIONS

Make sure to use the correct tools recommended.

Wear safety goggles.

Follow fixture, power tools, and paint manufacturers' instructions and users manuals.

Use common sense and follow good construction practices.

Medallions are not load bearing. Do not use them to support electrical fixtures or ceiling fans.

## TOOL & MATERIAL CHECKLIST

- |   |  |  |
|---|--|--|
| <input type="checkbox"/> construction adhesive      | <input type="checkbox"/> putty knife           | <input type="checkbox"/> flat head wood screws |
| <input type="checkbox"/> elastomeric adhesive caulk | <input type="checkbox"/> shims                 | <input type="checkbox"/> screw driver          |
| <input type="checkbox"/> caulking gun               | <input type="checkbox"/> caulking gun          | <input type="checkbox"/> sponge or cloth       |
| <input type="checkbox"/> hammer & finishing nails   | <input type="checkbox"/> framing nails         |  |
| <input type="checkbox"/> extra fine sandpaper       | <input type="checkbox"/> drywall knife         |  |
| <input type="checkbox"/> 2x4 & 1x1 lumber           | <input type="checkbox"/> jigsaw & circular saw |  |
| <input type="checkbox"/> mineral spirits            | <input type="checkbox"/> power drill           |  |

## IMPORTANT INFO

- Clean installation surface and back of niche of all dirt and dust with a clean cloth or sponge.
- Make sure that the surface and the back of the niche are completely dry before attempting installation.
- It is highly recommended that you paint/finish our appliques before you install them. Once installed, you can apply any necessary touchup paint/finish.

## INSTALL INSTRUCTIONS:

### RECESS MOUNT

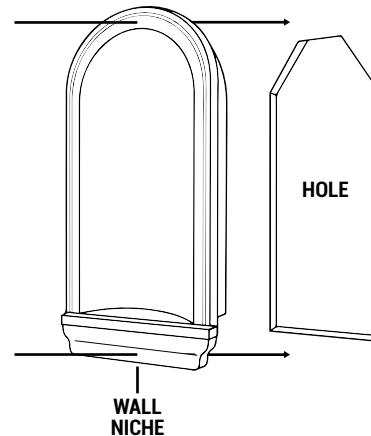
1. Using a paper template, trace the outline of the niche onto the template.
2. Trace the template onto wall and remove template.
3. Using a drywall knife, cut the opening as traced by the template and remove drywall.
4. Use 2 x4's to frame the area with vertical supports on each side and top and bottom cross braces.
5. Cut 56 pieces of 1x2 lumber in 6" pieces. Use construction adhesive to attach the blocks onto the niche walls on the back of the niche. Allow 24 hours for the adhesive to set.
6. Apply adhesive to the blocks.
7. While placing niche into opening, make sure that the niche is level. Smooth any excess adhesive around the niche edge. Clean excess adhesive with mineral spirits.
8. Touch up niche using latex paint as needed.

### SURFACE MOUNT

1. Place niche on wall and outline position on wall.
2. Apply a 1/2" bead of polyurethane adhesive to the back of the niche.
3. Use a level before pressing the niche into place.
4. Use latex caulk around the edges of the niche.
5. Wipe off any excess caulk or adhesive using a damp sponge or cloth.
6. Touch up niche as necessary.

## EXAMPLE DIAGRAM:

### RECESS MOUNT



### SURFACE MOUNT

