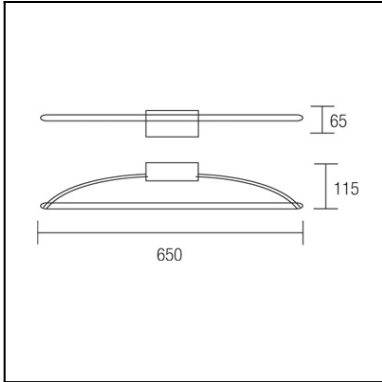
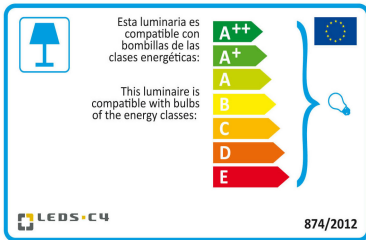


The photograph may not match the reference exactly. Please read the product description to identify the finish.



[Download photometric file .ldt /.ies](#)



[Click on image to download energy label](#)

TECHNICAL CHARACTERISTICS

Type:	Ceiling fixture
IP Protection degrees:	IP20
Light source 1:	1 x G5 13W
Voltage / Frequency:	220-240V/50-60Hz
Warranty (Years):	2
Units per box:	2
Net Weight (Kg):	0.78
EAN:	8435111028070



MATERIALS / FINISHES

Structure material: Steel
Structure finish: Satin nickel

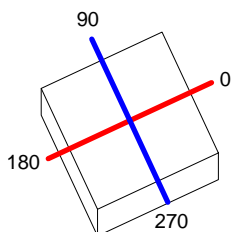
GEAR

Gear included: Yes, electronic

Luminaire		Measur.		Lamp		
Code	280	Code	280	Code	LED	
Name	WALL LIGHT	Name	WALL LIGHT	Number	1	
Line	Eulumdat	Date	16-11-2013	Position		
Efficiency	30.25%	Coordinate system	CG	Total Flux	1200.00 lm	
Maximum value	115.71 cd	Position	C=180.00 G=77.00	Asymmetrical		
Rectangular Luminaire	Length	1 mm	Width	1 mm	Height	1 mm
Rectangular Luminous Area	Length	1 mm	Width	1 mm	Height	0 mm
Horizontal Luminous Area	0.000001 m2	Emitting area on Plane 180°		0.000000 m2		
Emitting area on Plane 0°	0.000000 m2	Emitting area on Plane 270°		0.000000 m2		
Emitting area on Plane 90°	0.000000 m2	Glare area at 76°		0.000000 m2		
Symmetry Type	Asymmetrical	Maximum Gamma Angle		180		
Measurement Distance	0.00	Measurement Flux		1200.00 lm		
Operator		Source voltage				
Temperature	25.00 °C	Source current				
Humidity	60.00 %	Photocell				
Notes						

Line		Code		Luminaire Lamps		Flux [lm]	Pow. [W]	Q.ty
Eulumdat		LED		Name				
				LED - 11.70 W		1200.00	11.70	1
C.I.E.	27 53 77 65 30			D DIN 5040		B11		
F UTE	0.20 J + 0.11 T			B NBN		BZ 8 / 0.8 / BZ 7		

1mm x 1mm



C Halfplanes

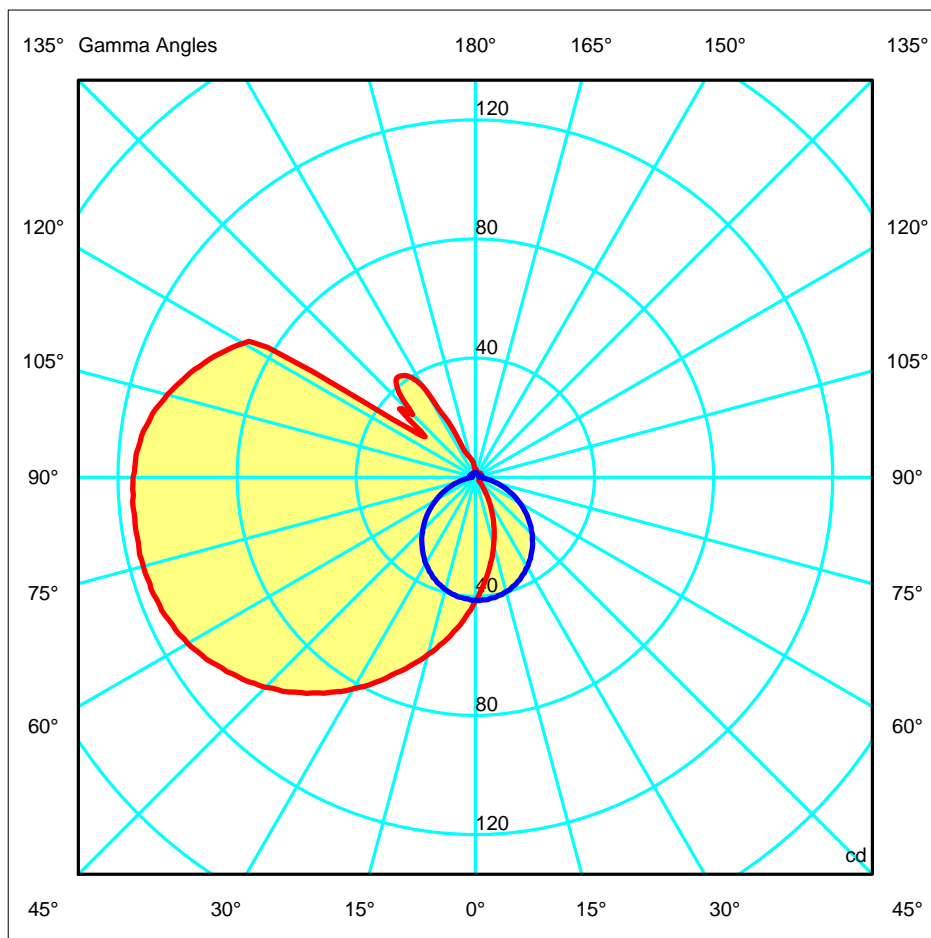
180.0 — 0.0

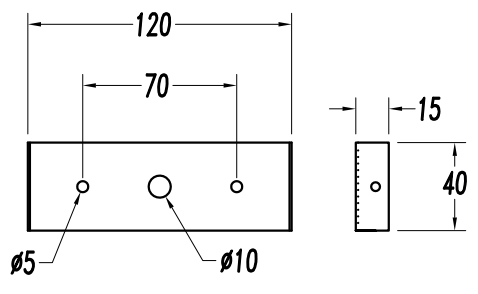
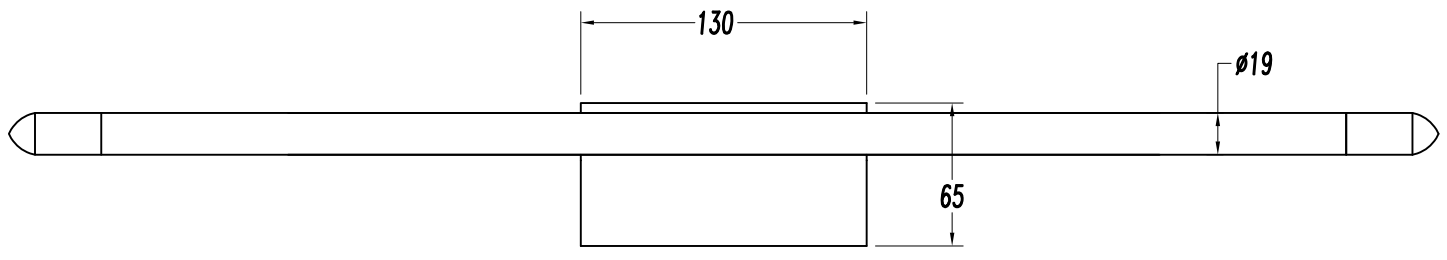
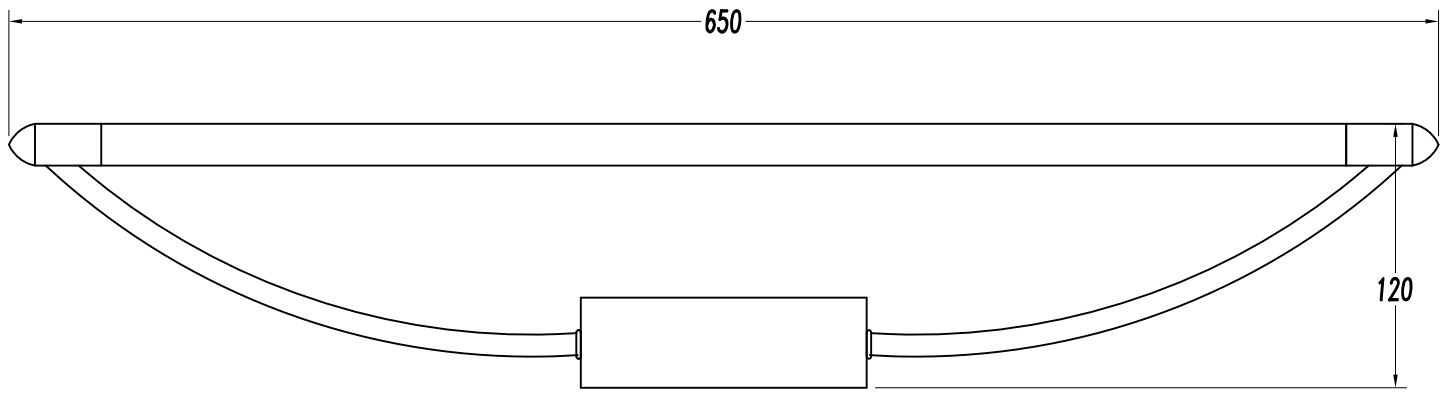
270.0 — 90.0

ULOR 10.66 %

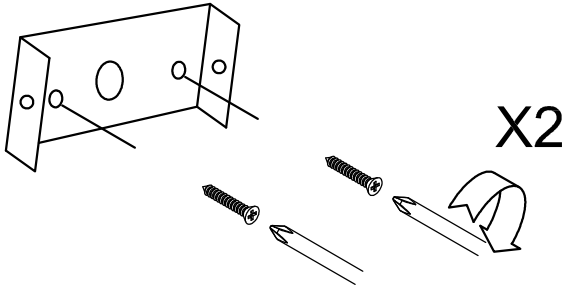
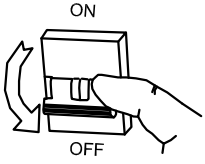
DLOR 19.59 %

RN 35.24 %

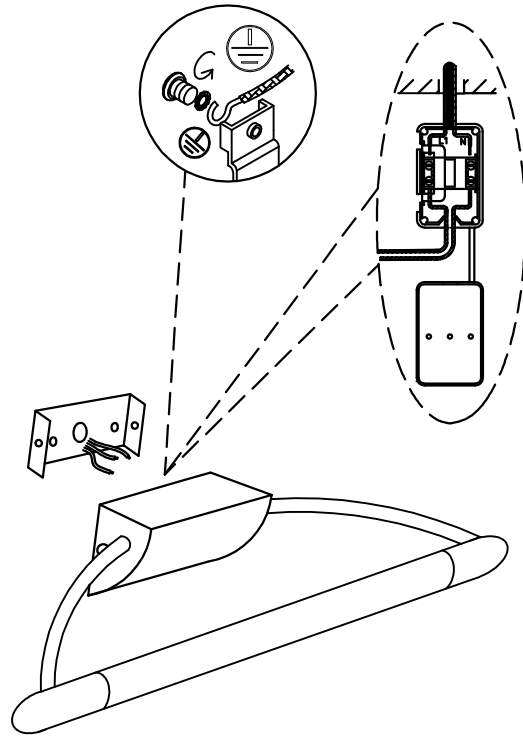




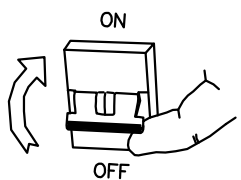
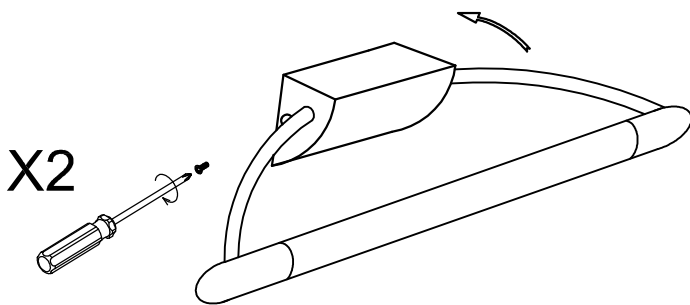
1



2



3



4

