

Artemide®

Logico suspension
Logico mini suspension
Logico micro suspension
Logico nano suspension
Logico nano track

Michele De Lucchi, Gerhard Reichert

Suspension mounted luminaires for diffused incandescent or fluorescent lighting for applications with a single diffuser unit or with an assembly of three, four, or five diffuser units in a linear or nested configuration. Logico nano track mounted suspension luminaire for diffused incandescent lighting. Custom configurations available.

- diffuser(s) in handblown glass with satined finish
- diffuser(s) supporting frame in die-cast aluminum with pale grey matte lacquered finish
- frame supporting cables in stainless steel
- ceiling canopy in steel with pale grey thermoplastic cover
- mounting to standard electrical junction boxes and with provision for additional concealed ceiling fastening for triple configurations
- mounting to Lightolier or Halo track for Logico nano track
- newly redesigned to incorporate compact fluorescent option utilizing GU24 base with integrated ballast and lamp holder

eco♥design





Logico suspension single



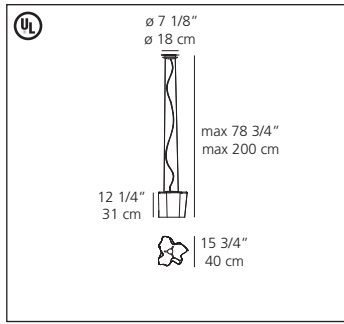
Logico micro suspension quadruple nested



Logico suspension triple nested



Logico mini suspension triple linear



Logico suspension single

incandescent source

- 1 x 150W (E26/A21).....

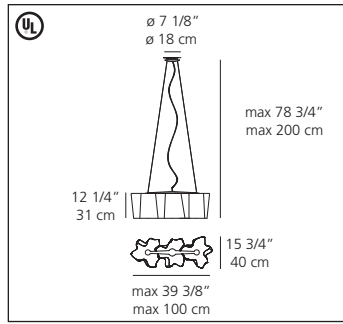
or

- 1 x 150W (E26/G40).....

or

fluorescent source

- 1 x 26W (GX24q-3/T4).....



Logico suspension triple linear

incandescent source

- 3 x 150W (E26/A21).....

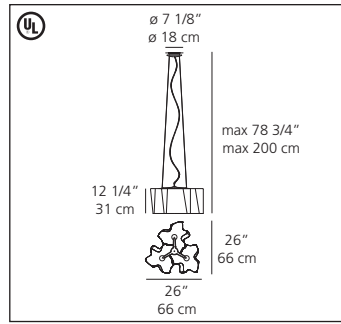
or

- 3 x 150W (E26/G40).....

or

fluorescent source

- 3 x 26W (GX24q-3/T4).....



Logico suspension triple nested

incandescent source

- 3 x 150W (E26/A21).....

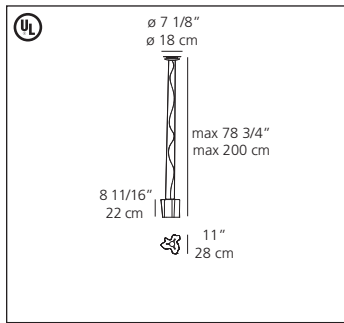
or

- 3 x 150W (E26/G40).....

or

fluorescent source

- 3 x 26W (GX24q-3/T4).....



Logico mini suspension single

incandescent source

- 1 x 100W (E26/A19).....

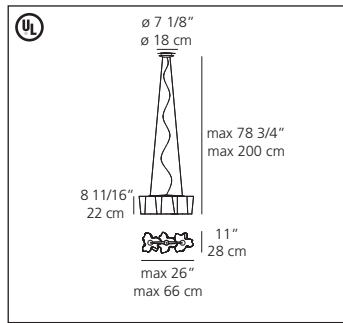
or

- 1 x 100W (E26/G25).....

or

fluorescent source

- 1 x 18W (GX24q-2/T4).....



Logico mini suspension triple linear

incandescent source

- 3 x 100W (E26/A19).....

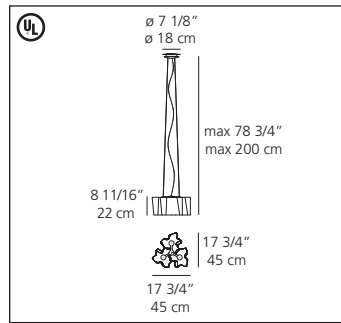
or

- 3 x 100W (E26/G25).....

or

fluorescent source

- 3 x 18W (GX24q-2/T4).....



Logico mini suspension triple nested

incandescent source

- 3 x 100W (E26/A19).....

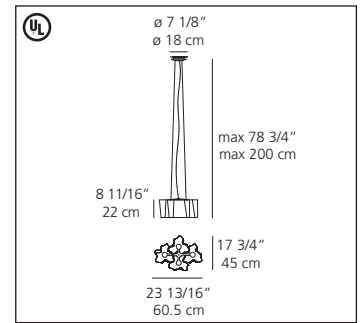
or

- 3 x 100W (E26/G25).....

or

fluorescent source

- 3 x 18W (GX24q-2/T4).....



Logico mini susp. quadruple nested

incandescent source

- 4 x 100W (E26/A19).....

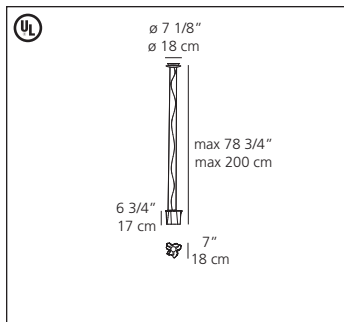
or

- 4 x 100W (E26/G25).....

or

fluorescent source

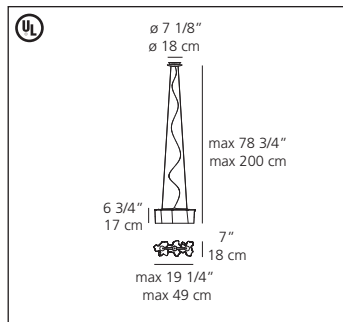
- 4 x 18W (GX24q-2/T4).....



Logico micro suspension single

incandescent source

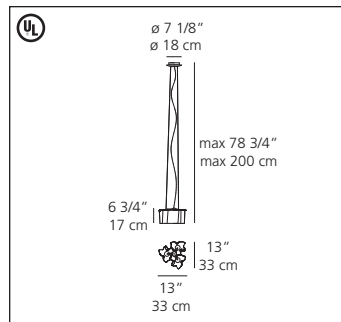
- 1 x 60W (E12/G16 1/2).....



Logico micro suspension triple linear

incandescent source

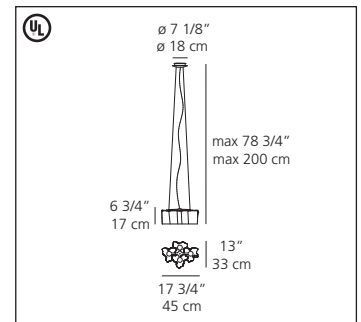
- 3 x 60W (E12/G16 1/2).....



Logico micro suspension triple nested

incandescent source

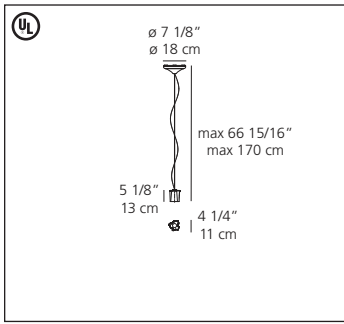
- 3 x 60W (E12/G16 1/2).....



Logico micro susp. quadruple nested

incandescent source

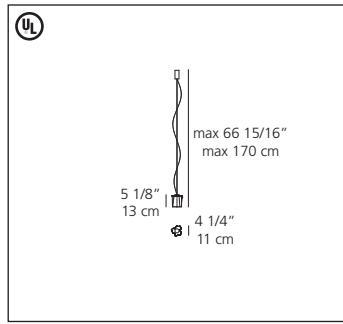
- 4 x 60W (E12/G16 1/2).....



Logico nano suspension single with ceiling canopy

incandescent source

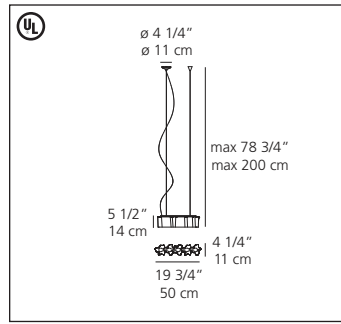
- 1 x 60W (E12/G16 1/2)



Logico nano suspension single with track adaptor

incandescent source

- 1 x 60W (E12/G16 1/2)



Logico nano susp. quintuple linear

incandescent source

- 5 x 60W (E12/G16 1/2)



Logico nano susp. single with ceiling canopy



Logico nano susp. quintuple linear



Logico nano susp. single with track adaptor



