

BOANN

Specialized Stainless Steel Kitchen and Bath Hardware

Model: Helena (BNYKF-C21S) Full Swivel Rotating Pull-Out Kitchen Faucet



For easy installation of your Boann Faucet, please conduct the following:

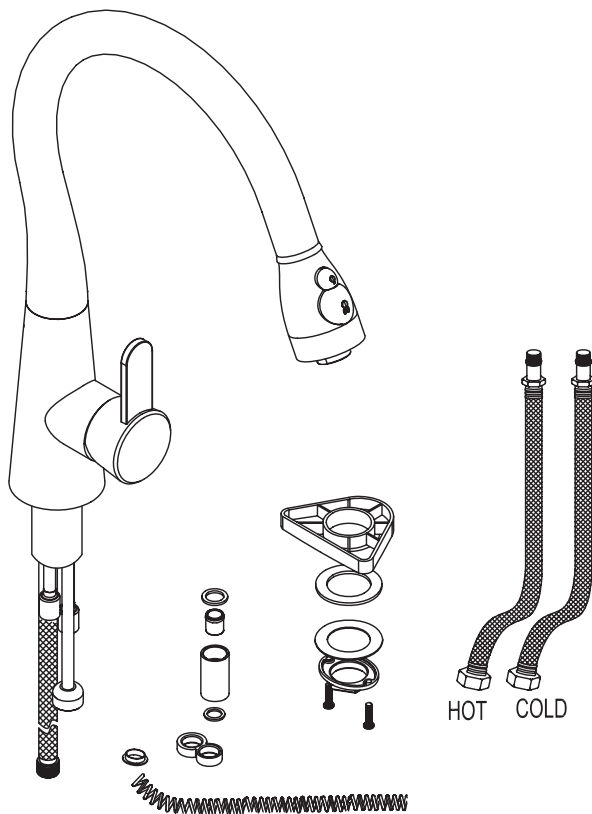
- Thoroughly **read all** instructions before installing the enclosed faucet
- **Read and understand** all warnings, care and maintenance information

Product Features:

- Solid 304 Stainless Steel Construction
- Discrete Pull-Out Handle Design
- Full 360° Swivel Rotation
- Sleek Stainless Steel Finish
- 5-Year Manufacturer Warranty

Faucet Parts & Accessories

IMPORTANT: Before installing your new faucet, make certain you have all working parts, as indicated below in the diagram.



You may need the following tools/materials



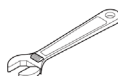
Pliers



Screw Driver



Silicone



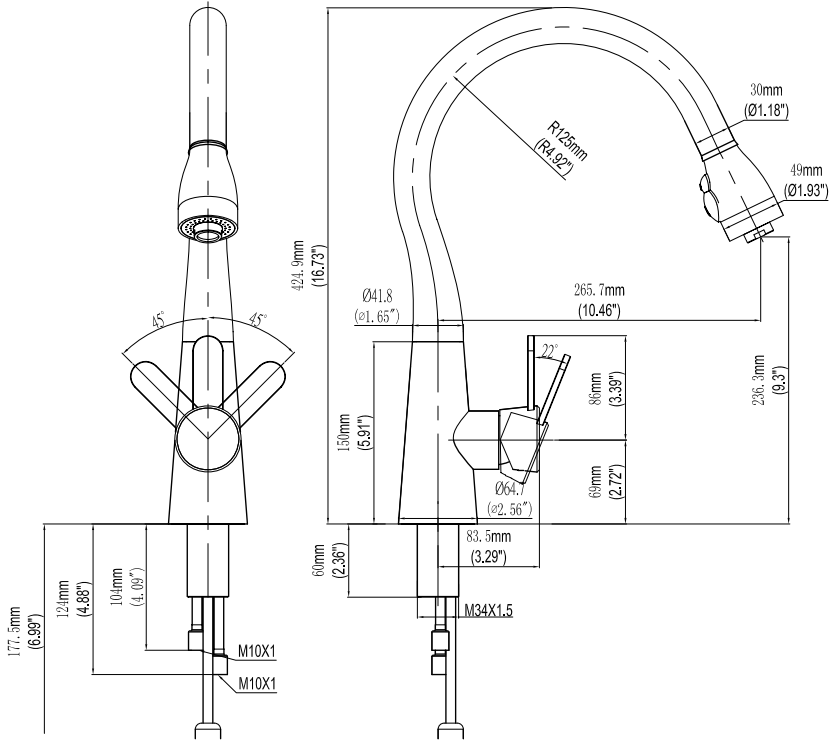
Wrench



Plumbers Tape

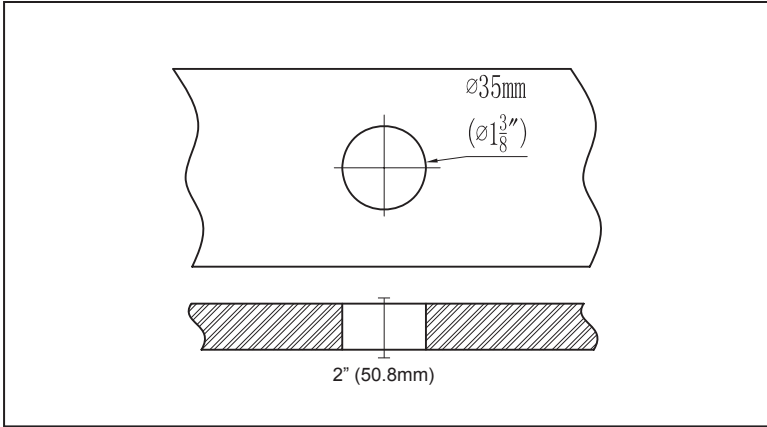
Product Information

Product Dimensions



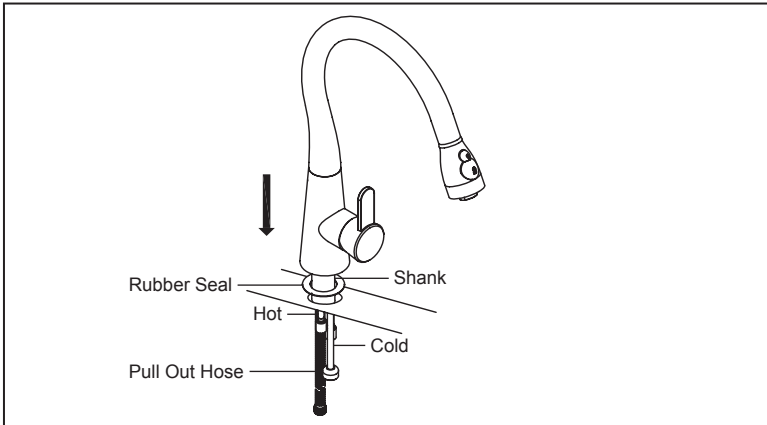
Installation Instructions

Step 1



The deck hole should be $1\frac{3}{8}''$ (35mm) and the deck thickness should be no more than $2''$ (50.8mm).

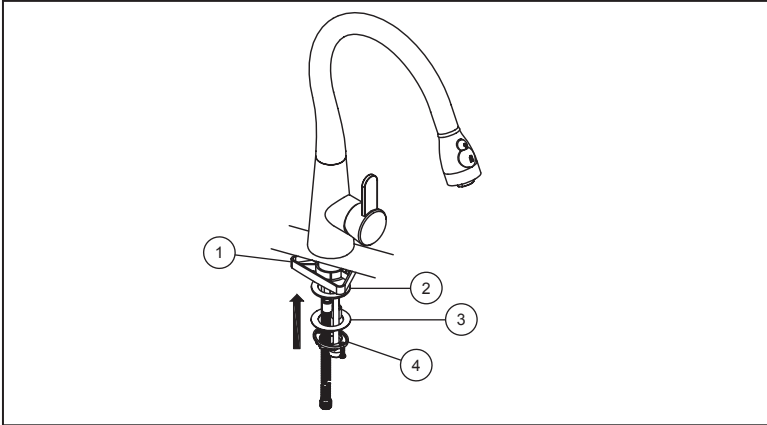
Step 2



Install the faucet through the deck mounting hole. Be sure to align the faucet in the direction desired. Please note the rubber seal is pre-attached to the faucet.

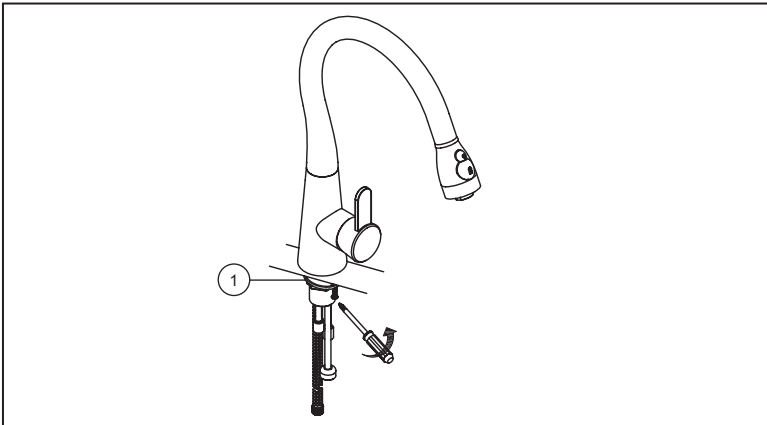
Installation Instructions

Step 3



Install the plastic base (1), gasket (2) and washer (3). Make sure the plastic base is installed with the flat side facing the deck. Next, install the metal base clamp (4).

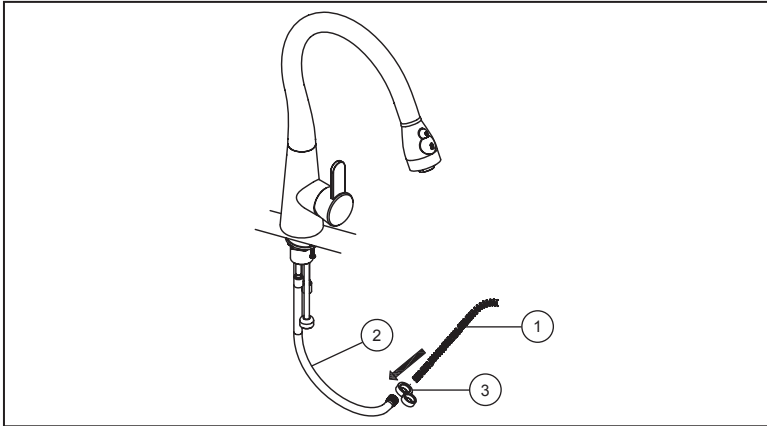
Step 4



Use the provided screws by screwing them into the metal base clamp (1). Screw them tightly without stripping the screw heads.

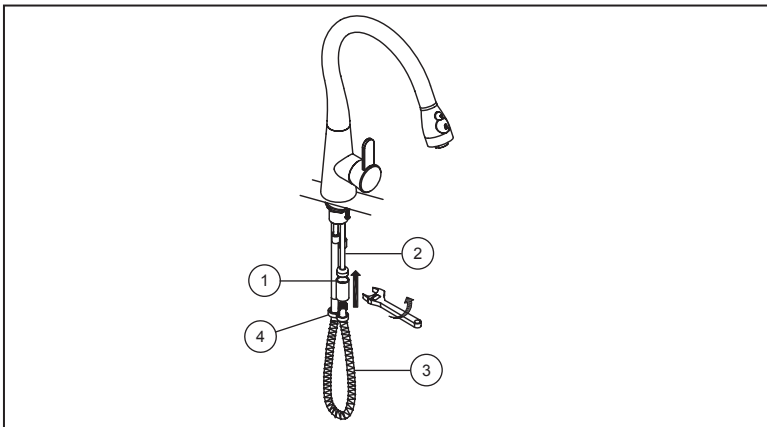
Installation Instructions

Step 5



Remove the spring (1) from the plastic tube. Insert pull out hose (2) into one hole of the hose holder (3). Attach one end cap with the flat side facing the holder. Insert the pull out hose (2) through the spring (1). Place the second end cap between the spring (1) and the second hole of the hose holder (3).

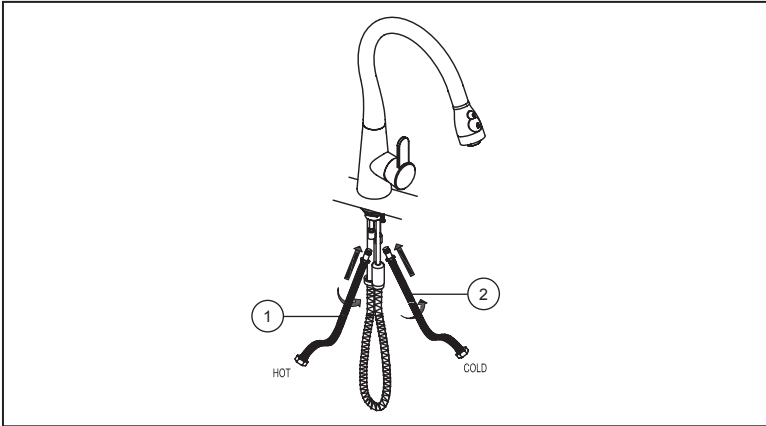
Step 6



Connect the line converter extension (1) to the line converter (2). As you insert the pull out hose (3) through the hose holder (4), connect it to the line converter extension (1).

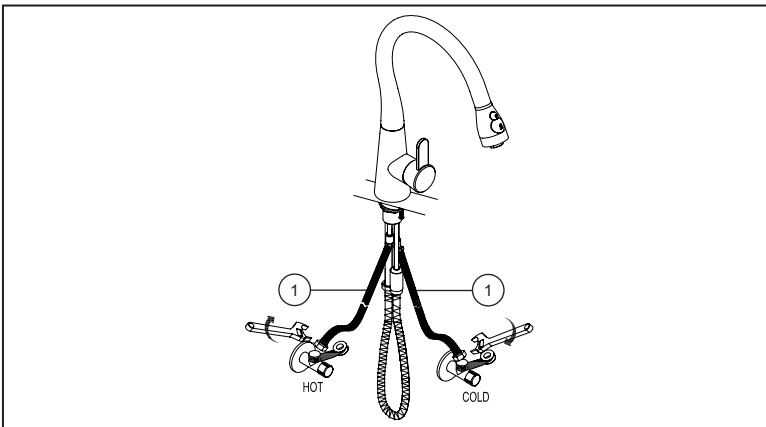
Installation Instructions

Step 7



The short water line is HOT water, while the longer water line is COLD. Securely attach both HOT (Red - 1) and COLD (Blue - 2) water hoses to the faucet.

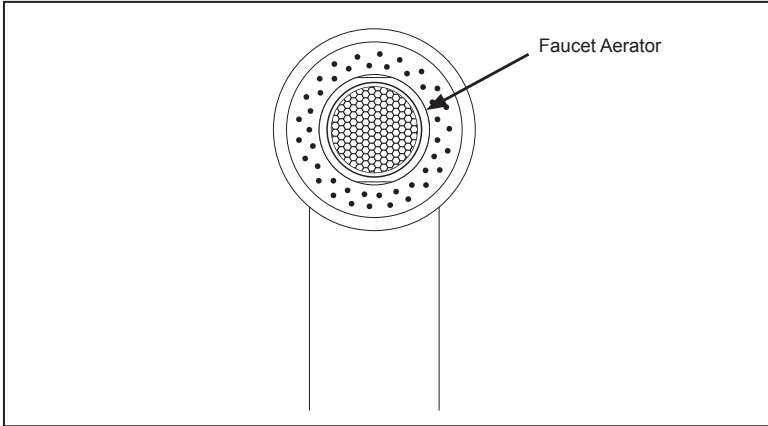
Step 8



Connect the water hoses (1) onto the water valves (we recommend using plumbers tape to prevent leakage). Turn on water valves.

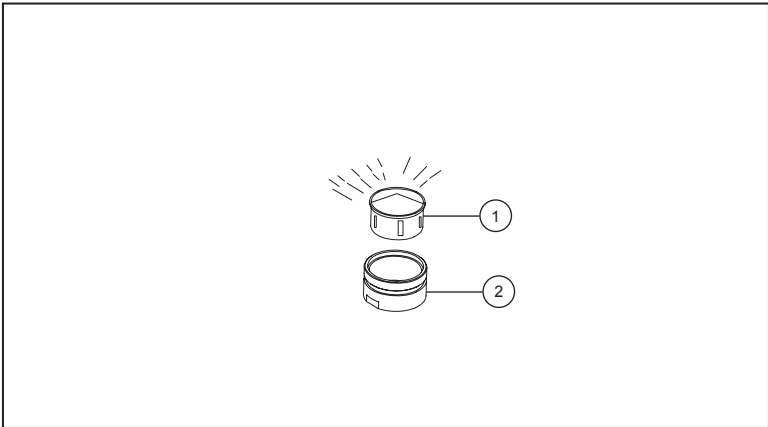
Filter Cleaning

Step 1



Remove the aerator by unscrewing it.

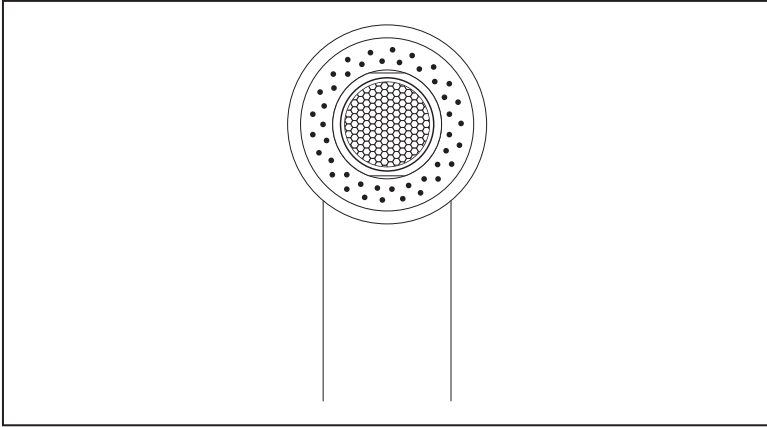
Step 2



Separate the filter (1) from the holder (2) and turn on the faucet. Let the water run for 30 seconds to ensure all excess debris flushes out of the faucet. Also, check all faucet connections to ensure there are no leaks.

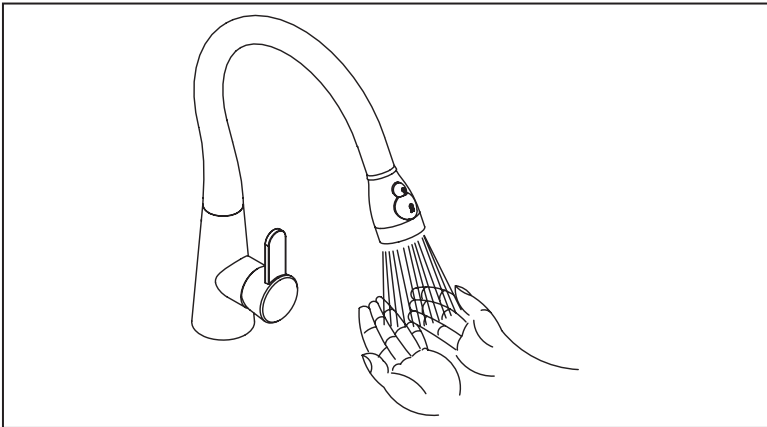
Filter Cleaning

Step 3



Reassemble the aerator and reattach onto faucet head.

Step 4



Enjoy the use of your faucet!

Note: A small amount of water may run from the spout or drip for a very short period after the faucet is shut off. This is a natural occurrence caused by long, flexible hoses.

Boann Manufacturer Warranty

All Boann products are manufactured and tested with the highest quality standards and rigorous quality control process. This warranty is limited to the non-commercial use of Boann products purchased and installed in the United States and Canada.

Boann Brand Limited Five Year Warranty on Faucets and Kitchen/Bath Accessories

Boann warrants its products to be free from manufacturing defects in material and workmanship during the normal non-commercial use for a period of five (5) years from the initial purchase date by the original owner/end-user for personal household use. This warranty is non-transferable between homes or owners and only applicable for residential use. Any commercial or industrial use of Boann products automatically voids the warranty. Any warranty claim must include the original sales receipt as proof of purchase from an Authorized Dealer or Distributor of Boann products. (Authorized Dealers can be found on the BoannStyle website).

Boann recommends installation of all Boann products by a licensed professional plumber. Boann will not be responsible for any damage or product failure due to improper installation, misuse or the failure to adequately utilize a licensed professional. Proper care and maintenance for all products is standard, like any other household appliance and fixtures to ensure proper function and a lasting product. Instructions are provided in your manual on proper care and maintenance of Boann products.

This warranty will not cover any damages that might be caused by the product. (In some instances States do not allow for such limitations, so this may not apply to all owners).

Any product reported to Boann as defective will be repaired or replaced (with a product of equal value) at the option of Boann. If Boann is not able to replace or repair the product, Boann may elect to refund the original purchase price to the original purchaser in exchange for the return of product. Boann has the full rights to inspect any Boann product reported as defective prior to repair or replacement. Any repair and replacement costs EXCLUDE shipping, labor for removal or re-installation and any consequential or special damages associated with return, replacement and installation of your product. Replacement parts may be obtained by calling **1-855-239-2666** (in the U.S. and Canada), by emailing us at **info@boannstyle.com** or writing to:

Boann
382 N. Lemon Avenue #122
Walnut, CA 91789

Boann reserves the rights to modify the warranty at any time, it being understood that any such modifications will not supersede warranty conditions that are applicable at the time of the original sale of products in question.

Though Boann products are certified by various agencies, Boann makes no implication that products comply with any or all local building or plumbing codes. It is the consumer's responsibility to determine any code compliances when installing and using Boann products.

Limitations of Warranty:

The warranty shall be not apply and be void for incorrect operating procedures, breakages and/or damages caused by fault through improper installation, carelessness, abuse, misuse, misapplication, improper maintenance and alteration of product; damages caused by chemicals, natural corrosion, accident, fire, flood, an act of God, or any casualty. Avoid abrasive cleaners, materials, steel wools and harsh chemicals as these will scratch, damage, and/or dull the products and/or finish of the products and void the warranty. The proper installation of product covered is the responsibility of the original owner/purchaser of the product. Boann neither installs nor supervises the installation nor hires contractors for this purpose; consequently Boann cannot be held

Boann Manufacturer Warranty

responsible for any default breakage, or damages caused thereby or resulting thereof, either directly or indirectly.

This warranty does not apply to Products that have not been installed or operated in accordance with instructions supplied by Boann and all applicable rules, regulations, and legislation pertaining to such installations.

This warranty does not apply to Commercial or Industrial applications of Boann products.

Boann is not responsible or liable for personal injuries or deaths to any person for any direct, special, incidental, or consequential damage, loss of time, loss of profits, inconvenience, incidental expenses, labor or material charges, or any other cost resulting from the use of the product or equipment or pertaining to the application of the present warranty, or resulting from the removal or replacement of any product or element or part covered by this warranty.

In any case, Boann is not liable for any amount over and above the purchase price paid for the Product by the original owner/end-user.

Cleaning and Care

Care should be exercised when cleaning this product. Although its finish is extremely durable, it can be damaged by harsh abrasives and cleaning pads. To clean, use a light, non-abrasive cleaning solution or suitable stainless steel polish.

