

ELECTRIC FIREPLACE HEATER
ASSEMBLY AND OPERATION MANUAL



IMPORTANT SAFETY INSTRUCTIONS

CAUTION / ATTENTION -- DO NOT PLUG THE HEATER INTO ANY POWER OUTLET OR OPERATE BEFORE READING ALL INSTRUCTIONS!

SAVE THESE INSTRUCTIONS FOR FUTURE REFERENCE

When using electrical appliances, basic precautions should always be followed to reduce the risk of fire, electric shock, and injury to persons, including the following:

1. Read all instructions before using this fireplace. Failure to follow these important safety instructions may cause fire, electric shock or damage. Following proper safety and operating instructions is the responsibility of the owner.

2. **WARNING:** This fireplace heater is hot when in use. To avoid burns, do not let bare skin touch hot surfaces. The grill directly in front of the heater outlet becomes hot during heater operation.
3. **CAUTION – High Temperature.** Keep any materials, such as upholstered furniture, pillows, bedding, papers, plastic, clothes, curtains and other furnishings at least 3 feet away from the front, sides and rear of the heater element.
4. **WARNING:** This appliance gets hot and it contains internal parts that could arc or spark. Do not use it in areas where gasoline, paint, or flammable liquids are used or stored or where the unit will be exposed to flammable vapors. Do not use near propane tanks.
5. **WARNING:** This fireplace should not be used as a drying rack for clothing. Do not hang Christmas stocking or any decoration on the fireplace heater or mantle.
6. Extreme caution is necessary when any heater is used by or near children or those with disabilities.
7. Do not operate the heater unattended or while sleeping. Stay alert and monitor operation at all times.
8. Always unplug fireplace when not in use.
9. Do not operate any fireplace heater with a damaged cord or plug, or if the heater has malfunctioned, or if the fireplace has been dropped or damaged in any manner. Take fireplace to authorized service facility for examination, electrical or mechanical adjustment or repair.
10. Check your heater cord and plug connections. A loose fitting outlet can cause the plug to overheat and/or cause a fire. Be sure plug fits tight in the outlet. Check frequently during use to make sure plug and outlet are not hot. If so, discontinue using heater immediately and have outlet replaced by a qualified electrician. **CAUTION:** Heaters draw more current than small appliances, overheating of the outlet may occur even if it has not occurred with the other appliances.
11. Under no circumstance should this electric fireplace be modified. Parts having to be removed for servicing must be replaced by a certified repair center prior to operating this electric fireplace again.
12. Do not use outdoors or anywhere that it can get wet.
13. This fireplace is not intended for use in bathrooms, laundry areas and similar indoor locations. Never use this appliance near a bathtub or in the vicinity of water.
14. Do not place or operate the fireplace insert directly on carpet or a similar surface, which may restrict air circulation beneath the unit. The fireplace insert must be installed in the mantle before use.
15. To prevent a possible fire, do not block air intake or exhaust in any manner. Do not use on soft surfaces, like a bed, where openings may become blocked.
16. Do not run cord under carpeting, furniture or appliances. Do not cover cord with carpeting, throw rugs, runners, or the like. Arrange cord away from traffic area and where it will not be tripped over.
17. To disconnect fireplace, turn all controls to off, then remove plug from outlet.
18. **Grounding –** this heater is for use on 120 volts. The cord has a plug with three blades for proper grounding. **DO NOT** attempt to modify the plug in any way or use adaptors to defeat the purpose of the grounding feature. Plug **ONLY** into a receptacle that accepts three-blade plugs. **CAUTION:** To Prevent Electric Shock Match Wide Blade of Plug to Wide Slot of Outlet, Fully Inserted.
19. When this appliance is installed, it must be electrically grounded in accordance with local codes with the current CSA C22.1 Canadian local codes for USA installation. Follow local codes and National Electrical Code, ANSI/NFPA NO. 70 and Canadian Code, CZ 22.2 No. 0.
20. Do not insert or allow foreign objects to enter any ventilation or exhaust opening as this may cause an electric shock or fire, or damage the heater.

21. Do not modify this fireplace. Use it only as described in this manual. Any other use not recommended by the manufacturer may cause fire, electric shock or injury to persons.
22. **WARNING: NEVER USE WITH AN EXTENSION CORD OR RE-LOCATABLE POWER STRIP.**
An extension cord may overheat and cause a risk of fire.
23. Do not burn wood or other materials in this fireplace.
24. Do not strike fireplace glass.
25. If the heater unit has been dropped or damaged, do not operate unless fully checked out by a certified repair center.
26. Always use a certified electrician should new circuits or outlets be required.
27. Always use properly grounded, fused and polarized outlets.
28. Always use ground fault protection where required by electrical code.
29. **WARNING** – Always disconnect the unit from the power supply before performing any cleaning, light bulb replacement, maintenance or relocation of the electric fireplace.
30. When transporting or storing the fireplace and cord, keep in a dry place, free from excessive vibration and store so as to avoid damage.

NOTE: Procedures and techniques that are considered important enough to emphasize.

CAUTION: Procedures and techniques, which, if not carefully followed, will result in damage to the equipment or personal property or may cause personal injury.

WARNING: Procedures and techniques, which, if not carefully followed, will expose the user to the risk of serious injury, illness or death.

WARNING:

This heater and parts become hot when in use. The area directly around and under the heater element must be clear and free of any obstructions.

DO NOT ALLOW CHILDREN TO OPERATE. KEEP CHILDREN AND PETS AWAY FROM HEATER AND CONTROLS.










CHOOSING LOCATION FOR YOUR FIREPLACE:

When choosing a location in your home, ensure that the general safety instructions are followed. For best results, install out of direct sunlight.

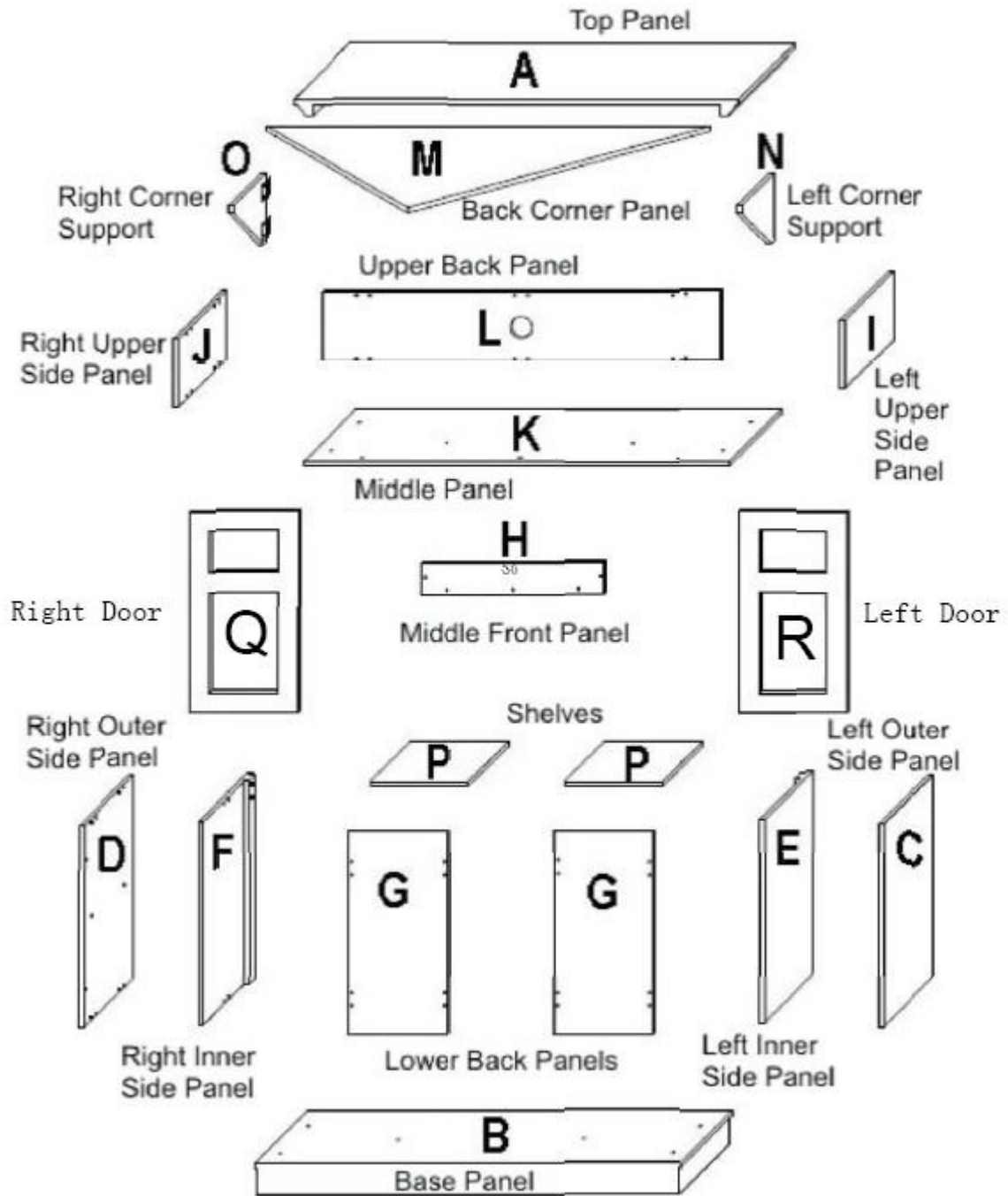
NOTE: A complete electric fireplace heater may consist of two parts, the wooden mantle and the fireplace heater insert. **DO NOT** use the fireplace heater insert without first installing it in the wooden mantle. Unpack the fireplace heater and mantle. Remove all packing materials.

PARTS LIST:

- A) Top panel 1pc
- B) Base panel 1pc
- C) Left outer side panel 1pc
- D) Right outer side panel 1pc
- E) Left inner side panel 1pc
- F) Right inner side panel 1pc
- G) Lower back panel 2pcs
- H) Middle front panel 1pc
- I) Left upper side panel 1pc
- J) Right upper side panel 1pc
- K) Middle panel 1pc
- L) Upper back panel 1pc
- M) Back Corner panel 1pc
- N) Left corner support 1pc
- O) Right corner support 1pc
- P) Shelves 2pcs
- Q) Left door 1pc
- R) Right door 1pc

HARDWARE LIST			
1	Door hinges		4 pcs
2	Door handles		2 pcs
3	Door screws		2 pcs
4	Shelf Pegs		8 pcs
5	Mounting screws		30 pcs
6	Short KD Bolt		5 pcs
7	“L” Mounting brackets		2 Sets
8	KD Bolts		111 pcs
9	Plastic Connectors		37 pcs

MANTEL ASSEMBLY:



NOTE: You are viewing the Back of the Mantle Panels. The assembly instructions will walk you through the process of putting together your fireplace while looking at the Back of your Fireplace Mantle.

Step 1: Attach 14 Plastic Connectors (9) to Left Outer Side Panel (C), Right Outer Side Panel (D), Left Inner Side Panel (E) and Right Inner Side Panel (F) with 28 KD screws (8). Attach the 8 Shelf Pegs (4) to Left Outer Side Panel (C), Right Outer Side Panel (D), Left Inner Side Panel (E) and Right Inner Side Panel (F). See Fig. A.

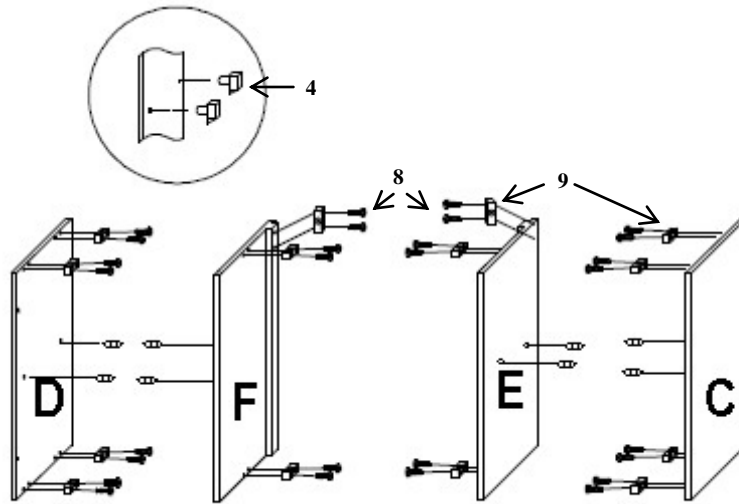


Fig. A

Step 2: Attach 23 Plastic Connectors (9) to Lower Back Panel (G), Left Upper Side Panel (I), Right Upper Side Panel (J) and Upper Back Panel (L) with 46 KD screws (8). See Fig. B.

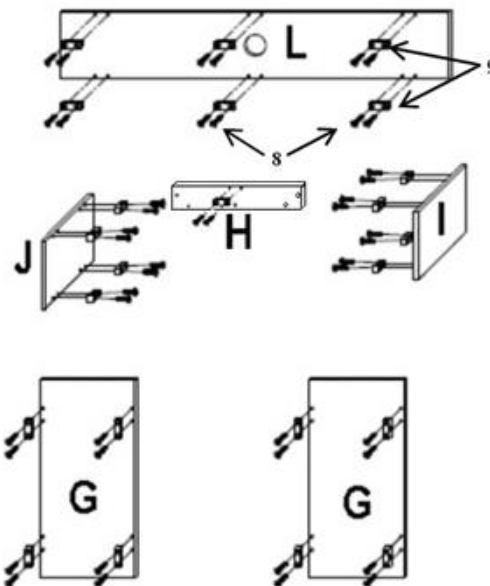


Fig. B

Step 3: Attach Outer Side Panels (C and D) to the Base Panel (B) with 4 KD screws (8). Attach Inner Side panels (E and F) to Base Panel (B) with 2 KD screws (8). See Fig. C.

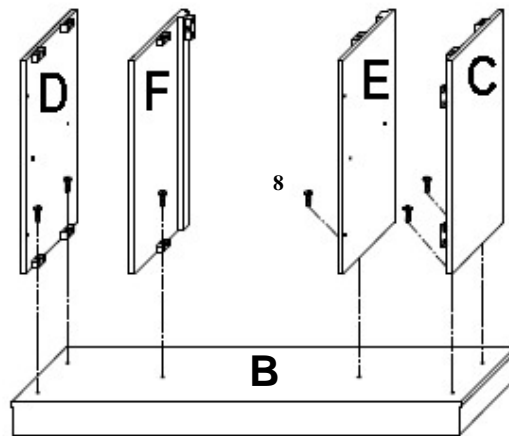


Fig.C

Step 4: Attach Lower Back Panels (G) to Right Outer Side Panel (D) and Right Inner Side Panel (F) and to Left Inner Side Panel (E) and Left Outer Side Panel (C) with 8 KD screws (8). Ensure the connectors are on the outside of the lower back panels. See Fig. D.

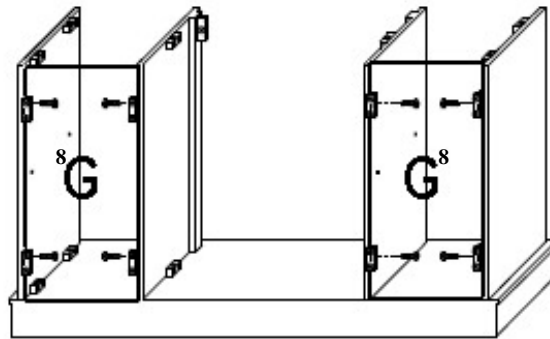


Fig.D

Step 5: Attach the Middle Front Panel (H) to the Inner Side Panels (E and F) with 2 KD screws (8). See fig. E.

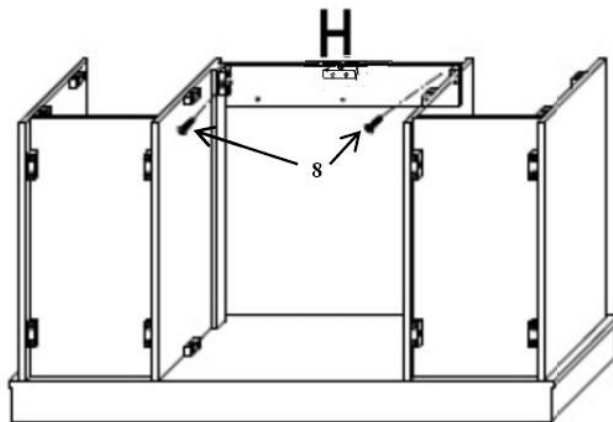


Fig.E

Step 6: Attach the Middle Panel (K) to the tops of Left Outer Side Panel (C), Right Outer Side Panel (D), Left Inner Side Panel (E) and Right Inner Side Panel (F) with 7 KD screws (8). See fig. F.

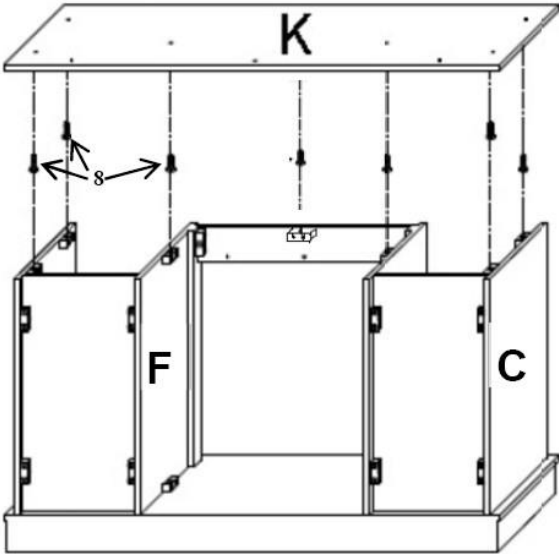


Fig.F

Step 7: Attach the Left Upper Side Panel (I) and the Right Upper Side Panel (J) to Middle Panel (K) with 4 KD screws (8). See fig. G.

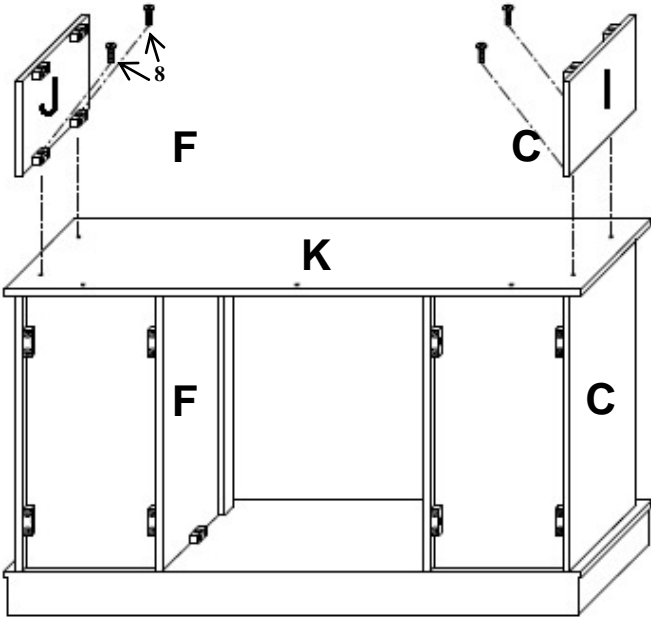


Fig.G

Step 8: Attach the Upper Back Panel (L) to Middle Panel (K) with 3 KD screws (8). Ensure the connectors are facing outward. See fig. H.

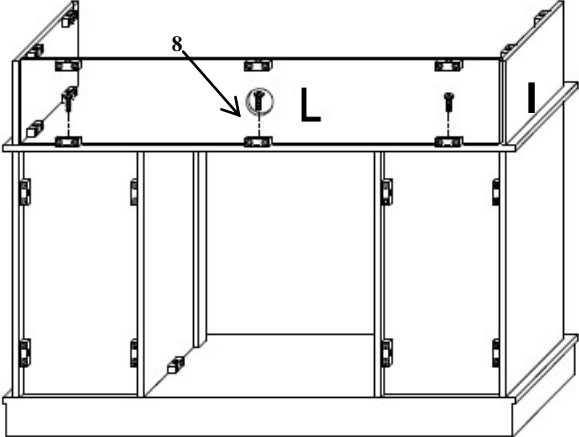


Fig.H

Step 9: Attach Left and Right Corner Panels (N and O) with 8 mounting screws (5). See fig. I.

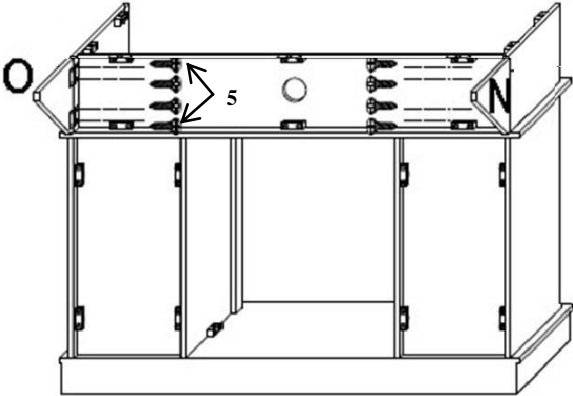


Fig I

Step 10: Attach the Back Corner Panel (M) to the Top Panel (A) with 6 mounting screws (5). See Fig. J.

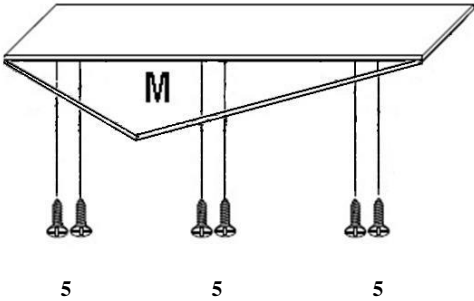


Fig J

Step 11: Attach Top Panel (A) to the Upper Side Panels (I and J) with 7 KD screws (8). See fig. K.

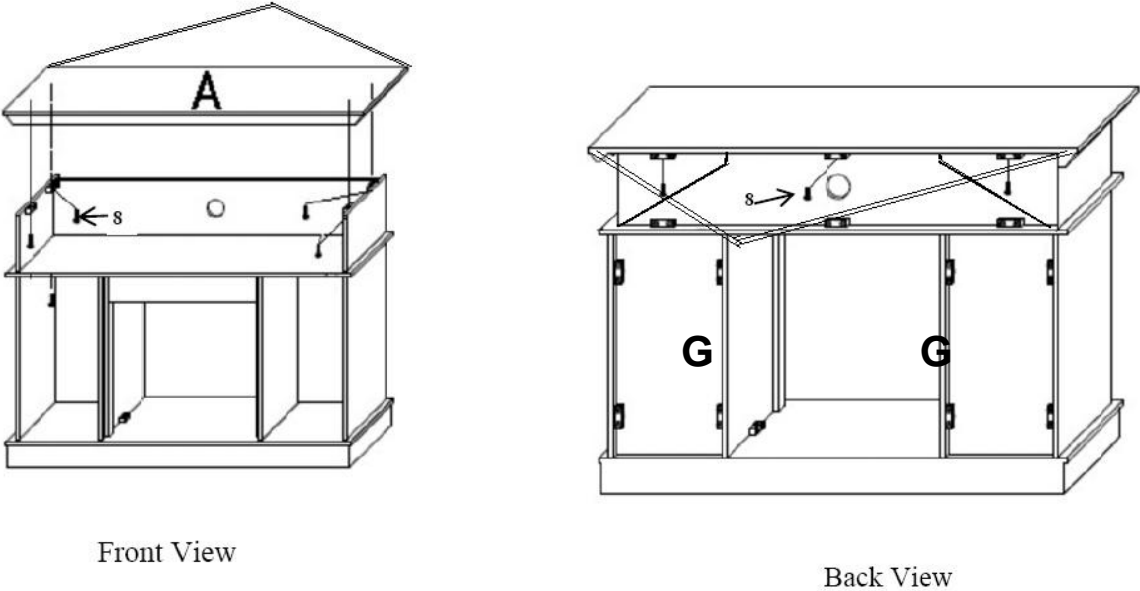


Fig K

Step 12: Slid in the Shelves (P) into the unit as shown in Fig L.

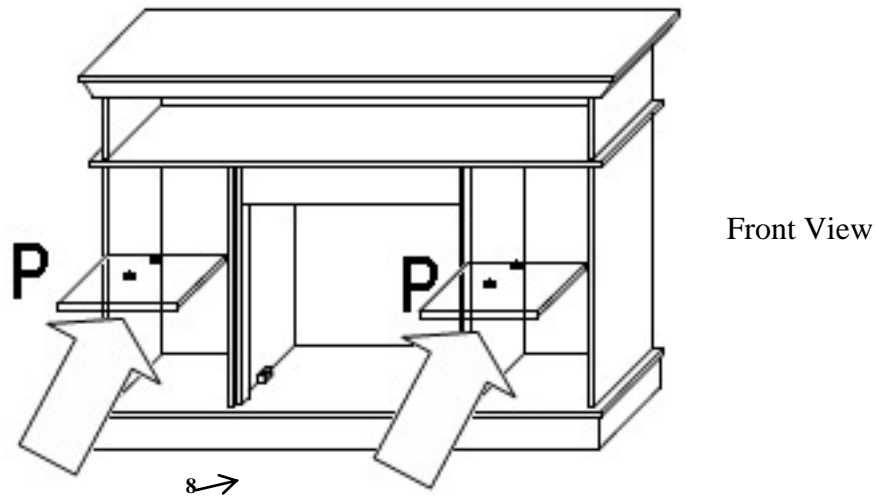


Fig.L

Step 13: Attach the 4 Door Hinges (1) to the Left and Right Door (Q and R) with 8 mounting screws (5) [2 screws for each hinge] as shown in Fig M. Attach the Door (Q) to the Outer Side Panel (D) and Attach the Door (R) to the Outer Side Panel (C) with 8 mounting screws (5) [2 screws for each hinge]. See Fig. M. Attach Door Handles (2) to the Left and Right Doors with 2 Door Screws (3).

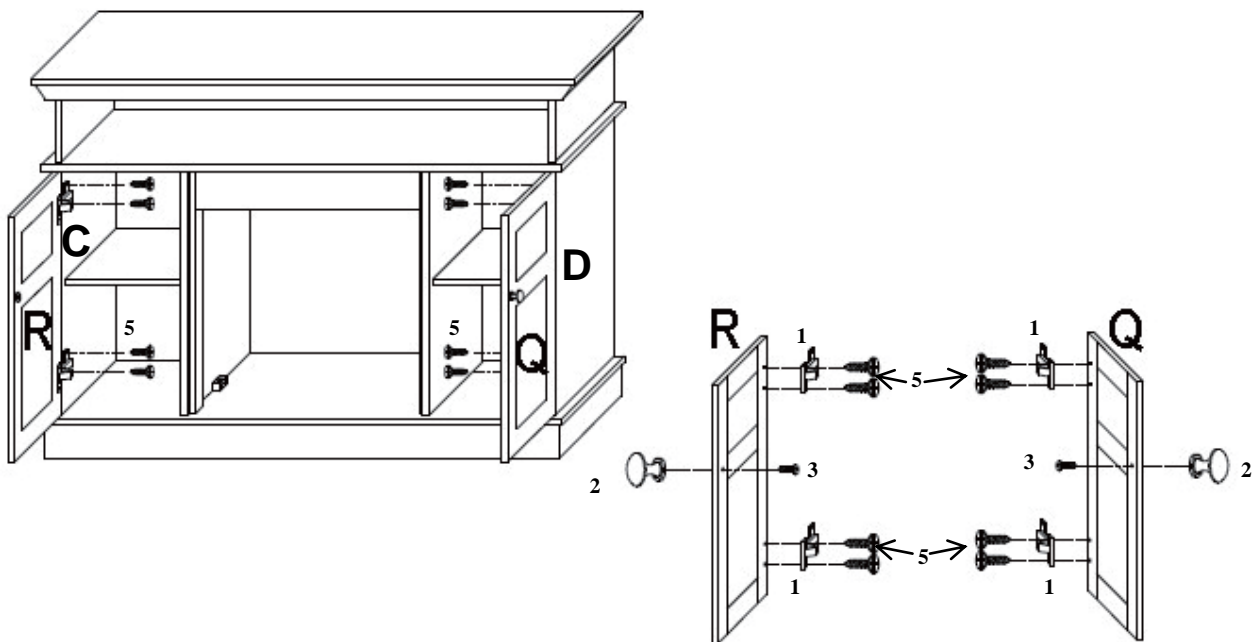


Fig M

Step 14: Place the Electric Fireplace Heater Insert through the back of the Mantle with Front of the Heater facing the opening in the Mantle. Once the Insert is in place, Attach the top with 3 Short KD screws (6) and attach the 2 L-mounting Brackets (7) to Base Panel with 2 Short KD screws (6). See Fig N

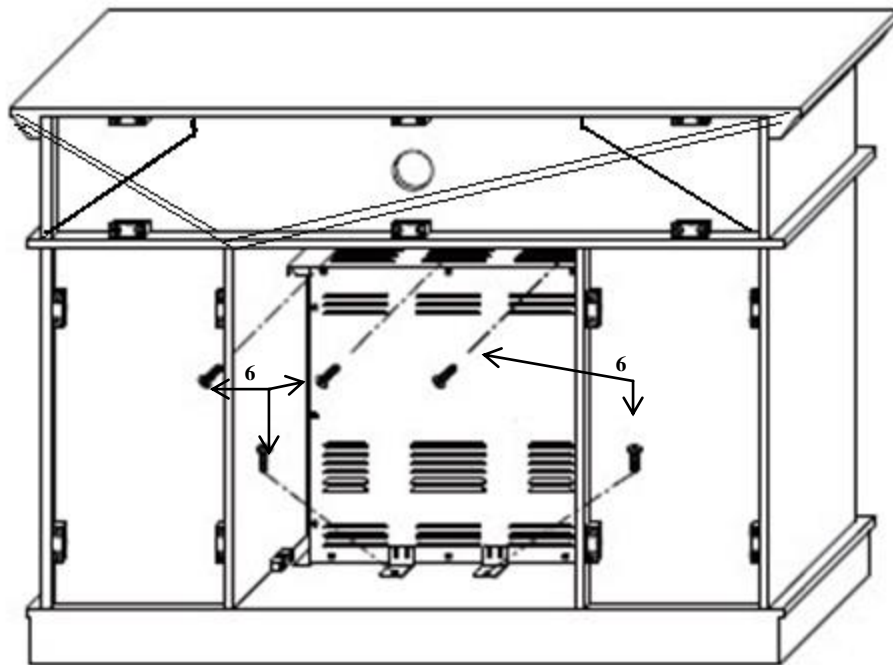


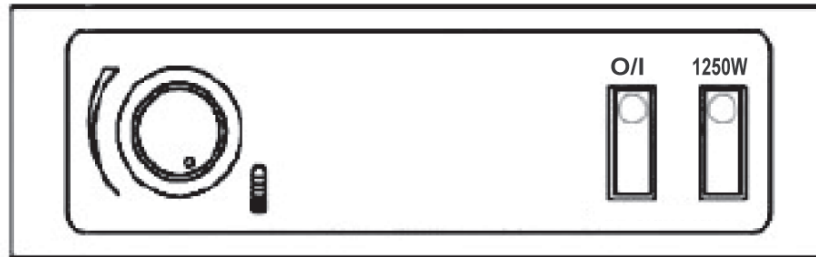
Fig.N

Assembly Complete

After reading through the following instructions completely, confirm all controls on fireplace heater are in the OFF position. Plug the fireplace into a 15AMP/120Volt outlet. If the cord does not reach, you may use an extension cord rated for a minimum of 1875 WATTS. Once the fireplace insert has been properly connected to a grounded, electrical outlet, it is ready to operate.

Operating Instructions

The controls are located behind the grill below the front glass and can be accessed by pulling grill from the top. Pull forward and down.



O/I: Press this button for main power and flame effect. The indicator light will turn on.

1250W: For heat function - Press this switch while the O/I switch is in the ON position. The indicator light will turn on.

Temperature Control: To adjust the temperature to your individual requirements, turn the temperature control dial to the right (clock-wise) to increase the desired temperature and to the left for lower temperature. This temperature control dial can only be used while the O/I switch and 1250W switch are in the ON position.

Note: When the O/I switch is turned off, the heater functions will stop even though the switches may be in the ON position.

Maintenance

WARNING: Disconnect power before attempting any maintenance or cleaning to reduce the risk of fire or electric shock.

Cleaning

Before cleaning any parts of the fireplace make sure to first turn off the controls and then unplug the unit from power source.

CAUTION: Wait until the unit has completely cooled before attempting any cleaning.

Cleaning glass door: Remove dust with clean dry cloth. Remove fingerprints and other marks from glass door by using a clean damp cloth. Do not use abrasive cleaners or spray liquids on glass door surfaces.

Metal and metal painted parts should be cleaned with clean damp cloth only. Do not use abrasive cleaners or spray liquids on this surface.

Replacing the Light Bulb

Step 1: Remove the 12 screws on the back of fireplace insert and open the back cover. There are 2 larger screws and 10 smaller screws

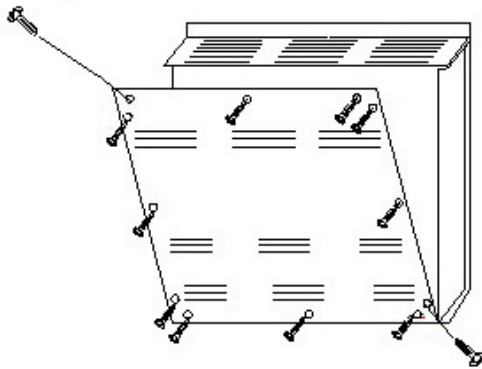
Step 2: You will find 1 X 40W Type B-10 bulbs under log-set bed.

Step 3: Loosen and remove the old bulb and replace with a new bulb.

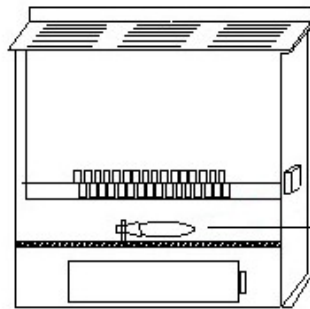
Step 4: Close the back cover. Secure the 2 larger screws into the top left corner hole and bottom right corner holes as shown in the diagram. Secure the 12 smaller screws into the remaining holes. Make sure the screws are in the correct holes and have been tightened.

Step 5: Plug in the unit and resume use.

Larger screw



Larger screw



Bulb