



ITEM	QTY	PART NUMBER	DESCRIPTION
1	1	18071TS5450-3-A	UPH SEAT WITH MECH & ARMS
2	1	16032TS5450-3	TS5450-3 UPH BACK W/BU ATTACHED
3	3	004310373	5/16 X 24 X 5/8 BTN CAP H
4	3	004324560	5/16 INNER. TOOTH WASHER
5	3	004314407-A	.340"IDX.690"ODX.062"THCK
6	1	004602427-B	4"GAS H.DTY REG BTN FORCE
7	1	014041960BLK-A	B5,26"-5 LEG PL SPIDER BASE
8	1	C1SET	CASTER C1 5 DUAL WHEEL BLK

REV.	DATE	DESCRIPTION	CHG'D BY	CHK'D BY	APRV'D BY	ECN

TITLE: **TS5450-3 COLOUR PACK BLACK**

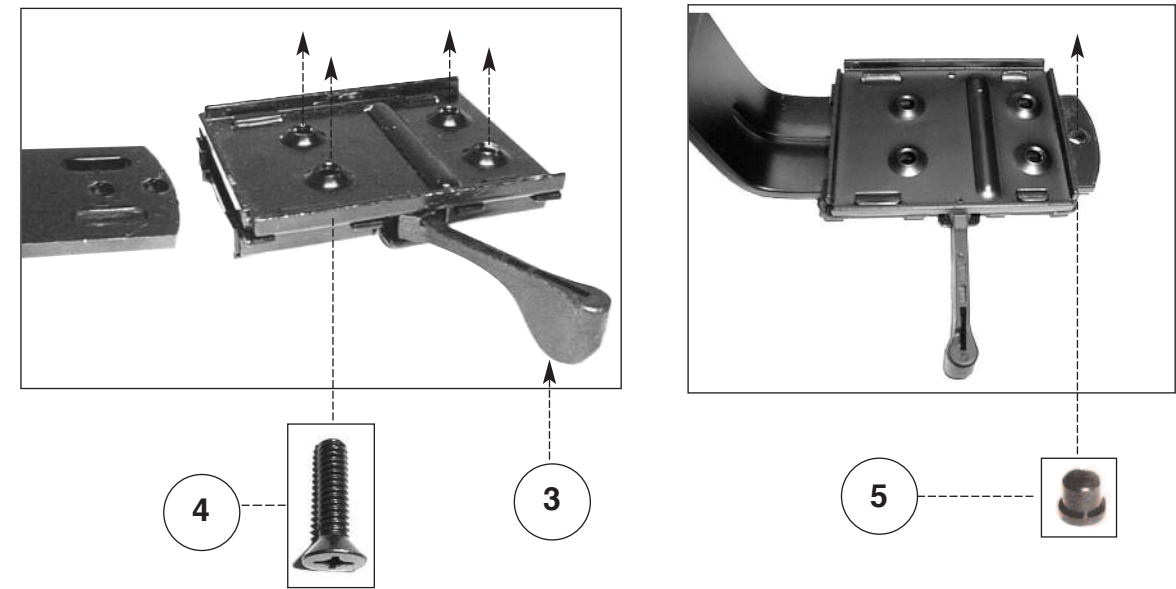
GLOBAL UPHOLSTERY CO. INC. 560 SUPERTEST RD. DOWNSVIEW, ONT. M3J 2M6, CANADA TEL. (416) 661-3660 FAX. (416) 6614300	DWN BY: NELSON DIAS	DESK TOP/EZ DRIVE /EXP DRGS	
	DATE: 11/09/09	DRWG No.	REV.
	APV'D BY:	TS5450-3BLK	
	DATE:	DRWG DATE: 11/09/09	
SCALE: NTS	Sheet _1_ Of _1_		

THIS DRAWING IS FOR INFORMATION ONLY. REFER TO BILL OF MATERIALS FOR CURRENT DATA

THIS INFORMATION IS CONFIDENTIAL AND IS THE EXCLUSIVE PROPERTY OF GLOBAL UPHOLSTERY CO. INC




ITEM	QTY	PART NUMBER	DESCRIPTION
1	1	16071TS5450-A	UPH SEAT ONLY
2	PR	170030001	SC-HT ADJ ARM W/SSU CAP A
2.1	PR	004480001	4690 HT ADJ ARMS BLK
2.2	2	014030001	SC-SSU ARM CAP BLK
2.3	4	004310412	1/4-20X1/2 TRUS QD SER BK
3	PR	004032280-A	WA ADAPTER PLATE ECN 2458
4	8	004310272	1/4-20 X 1" FLAT QUAD MS
5	2	010032280S-A	PLASTIC ARM STOP INS ECN2
6	1	00422TS3140-3MD	MD MULTI-TILTR MECH HEAVY
7	4	004328815	SPACER 1/4"L ID 5/16" OD
8	4	004312440	1/4-20 X 1" L9 HEX HD BOL
9	4	004320003	1/4 SPLIT WASHER
10	4	004310621BLK	9/32IDX5/8ODX1/16TH BLK W



THIS DRAWING IS FOR INFORMATION ONLY.
REFER TO BILL OF MATERIALS FOR CURRENT
DATA

THIS INFORMATION IS CONFIDENTIAL
AND IS THE EXCLUSIVE PROPERTY OF
GLOBAL UPHOLSTERY CO. INC

REV.	DATE	DESCRIPTION	CHG'D BY	CHK'D BY	APRV'D BY	ECN
TITLE: UPH SEAT W/MECH & ARMS						
 GLOBAL UPHOLSTERY CO. INC. 560 SUPERTST RD. DOWNSVIEW, ONT. M3J 2M6, CANADA TEL. (416) 661-3660 FAX. (416) 6614300		DWN BY: NELSON DIAS DATE: 11/09/09 APV'D BY:		DESK TOP/EZ DRIVE /EXP DRGS DRWG No. 18071TS5450-3-A REV.		
SCALE: NTS		DRWG DATE: 11/09/09				
		Sheet _1_ Of _1_				