

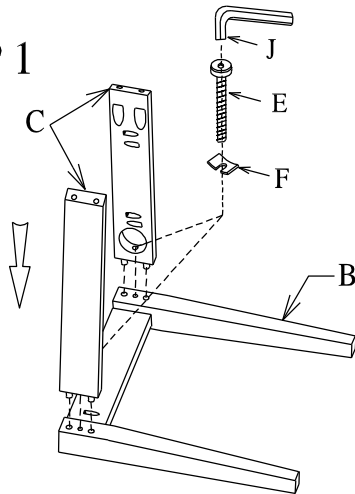
ASSEMBLY INSTRUCTIONS

MODEL # : 5808 CHAIR (08/2009) (V#47VIF1)

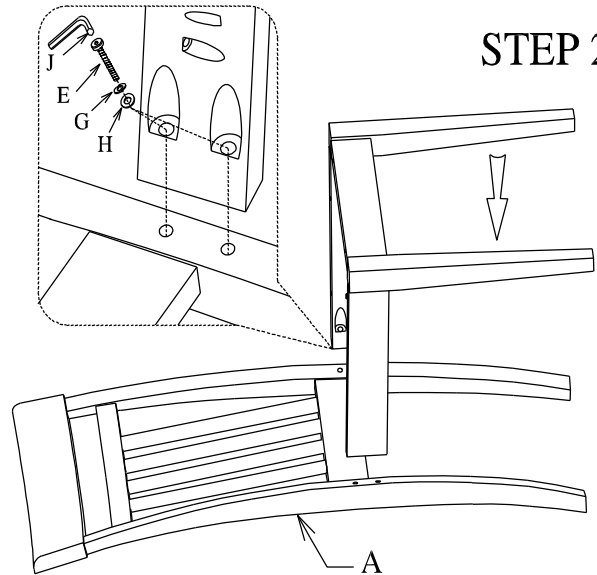
**NOTE: THIS ITEM NOT RECOMMENDED FOR COMMERCIAL USE
KEEP THIS DOCUMENT FOR REFERENCE IN CASE PARTS ARE NEEDED
DO NOT TIGHTEN SCREWS UNTIL COMPLETELY ASSEMBLED! !**

№	DESCRIPTION	Q'TY	
A	CHAIR BACK	38-7/16" x 16-15/16"	1
B	FRONT LEG	16-15/16" x 15-15/16"	1
C	SIDE SEAT FRAME	13-11/16" x 2-3/4"	2
D	CUSHION	16-3/4 x 15-3/4" x 2-3/8"	1
E	BOLT	1-3/4" x 1/4" DIA .	4
F	METAL WASHER	1-13/16" x 9/16"	2
G	LOCK WASHER	1/4" DIA .	4
H	METAL WASHER	5/8" x 1/4" DIA .	4
I	WOOD SCREW	5/32" x 30mm	4
J	ALLEN KEY	4mm	1

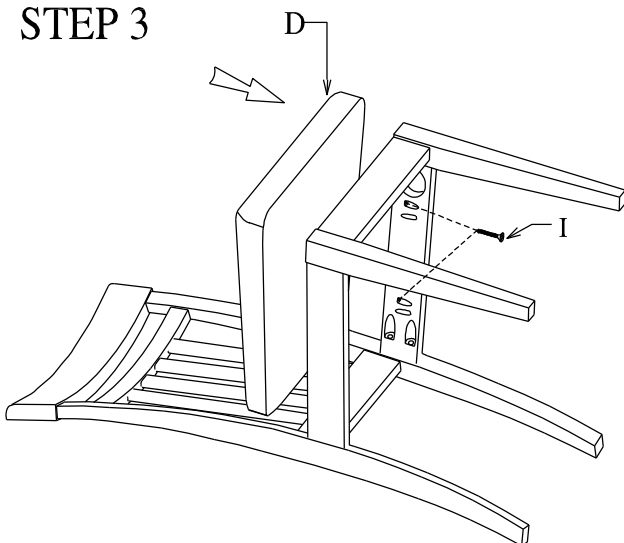
STEP 1



STEP 2



STEP 3



STEP 4

