

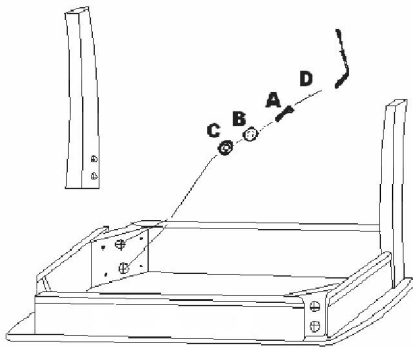
ASSEMBLY INSTRUCTION

MODEL:7007(01/2011) (V#47ZA1)

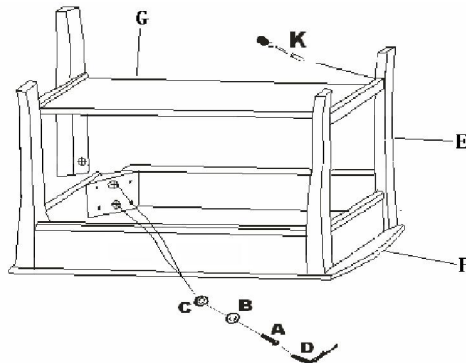
**NOTE: THIS ITEM NOT RECOMMENDED FOR COMMERCIAL USE
KEEP THIS DOCUMENT FOR REFERENCE IN CASE PARTS ARE NEEDED
DO NOT TIGHTEN SCREWS UNTIL COMPLETELY ASSEMBLED!!**

No	DESCRIPTION	Q'TY
A	BOLT 5/16"DIA.X 2	8PCS
B	LOCK WASHER 5/16"DIA.	8PCS
C	FLAT WASHER 5/16"DIA.	84PCS
D	ALLEN KEY 5/16"	1PC
E	LEG 21 1/4" X 2" X 2"	4PCS
F	TOP 24" X 12" X 5 1/2"	2PCS
G	BOTTOM SHELF 19" X 9" X 1 1/2"	2PCS
K	WOOD SCREW 25mm	12PCS

STEP1



STEP2



STEP3

