

ASSEMBLY INSTRUCTIONS

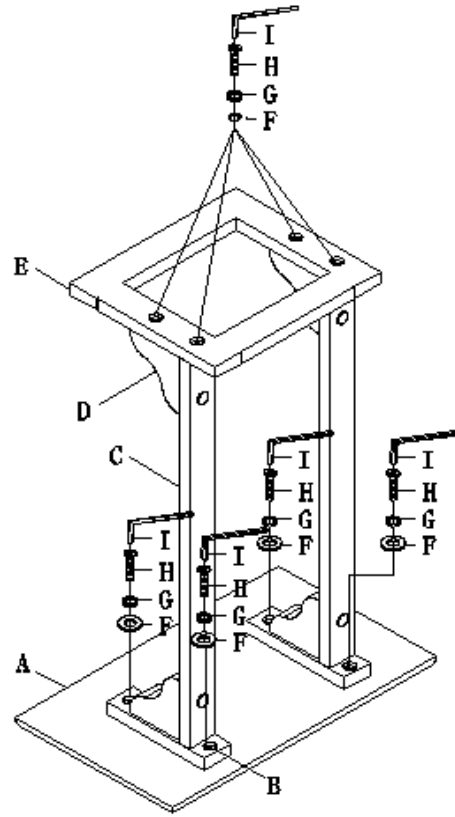
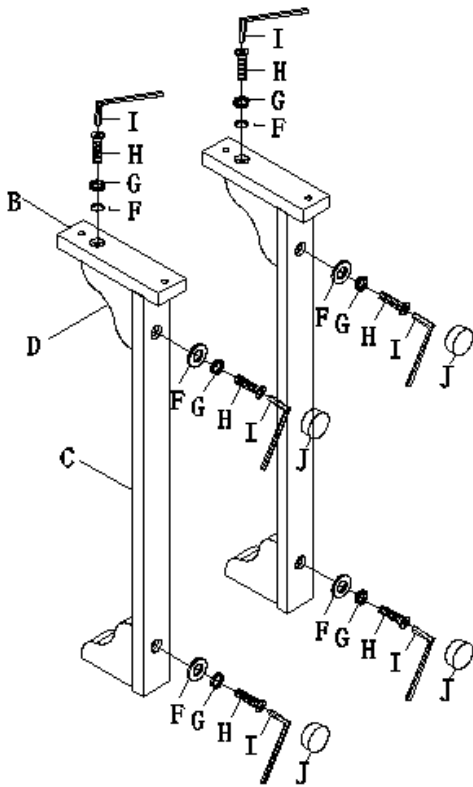
MODEL: 7930 (7/2009)(V#47MY1)

**NOTE: THIS ITEM NOT RECOMMENDED FOR COMMERCIAL USE
KEEP THIS DOCUMENT FOR REFERENCE IN CASE PARTS ARE NEEDED
DO NOT TIGHTEN SCREWS UNTIL COMPLETELY ASSEMBLED! !**

No	DESCRIPTION		Q'TY
A	Table Top	20"X12"X7/8"	1PC
B	Cross bar	"7-1/2"X2"X3/4"	2PCS
C	Post	25-5/8"X2"X3/4"	2PCS
D	Decorative trim	4"X4"X1-5/8"	4PCS
E	Base frame	12-5/8"X11"X3/4"	1PC
F	Spring washer	∅ 1/4"X5/8"	12PCS
G	Washer	∅ 1/4"X1/2"	12PCS
H	Bolt	∅ 1/4"X1-1/4"	12PCS
I	Wrench	4mm	1PC
J	Wood cap	∅ 3/4"	4PCS

STEP 1

STEP 2



STEP 3

