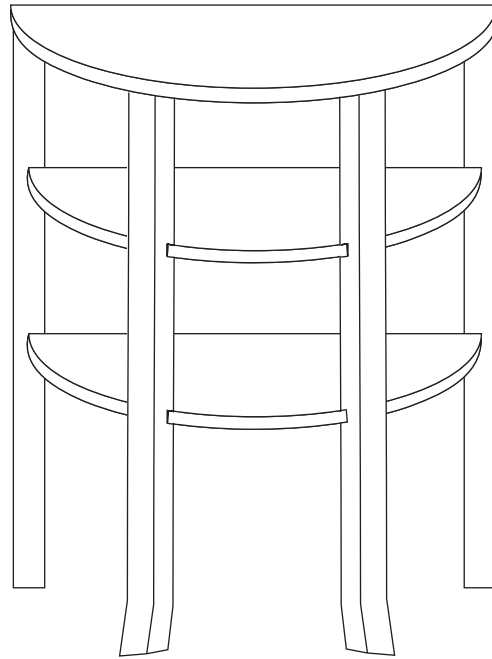
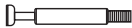


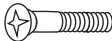

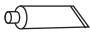
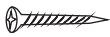


ITEM # 29223

Assembly Instruction  
London 3 Tier Hall Table

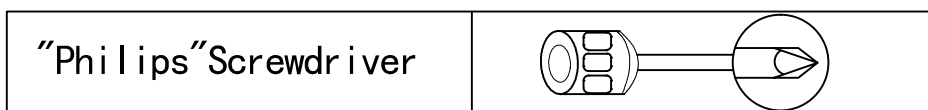


Hardware List

Item	Description	Qty	Figure
A	Camlock Bolt	2	
B	Wood Dowels $\varnothing 8 \times 30\text{mm}$	6	
C	Camlock	2	
D	Wooden Screw $\varnothing 7 \times 38\text{mm}$	18	
E	Screw $\varnothing 4 \times 35\text{mm}$	4	
F	Glue	1	
G	Screw $\varnothing 4 \times 35\text{mm}$	2	

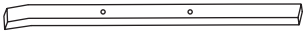
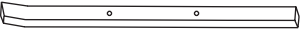
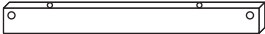


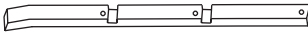
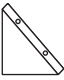
Note:

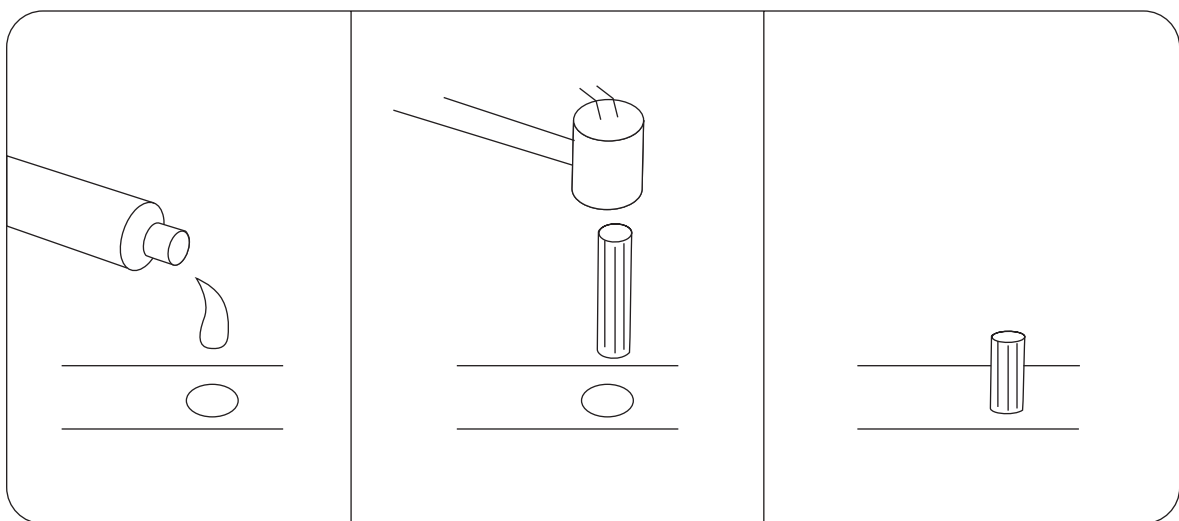
- 1) Please be advised to have at least 2 persons to assemble this unit.
- 2) Tools not included, but essential for assembling this unit :



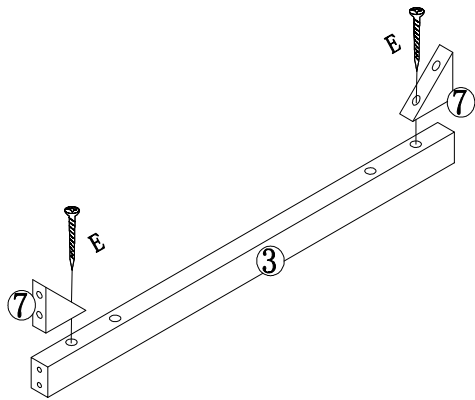
- 3) Place a large cloth or blanket on the floor or flat surface to protect parts from scratching .
- 4) Before assembling this unit , please check that all parts and hardware are present .

## Part List

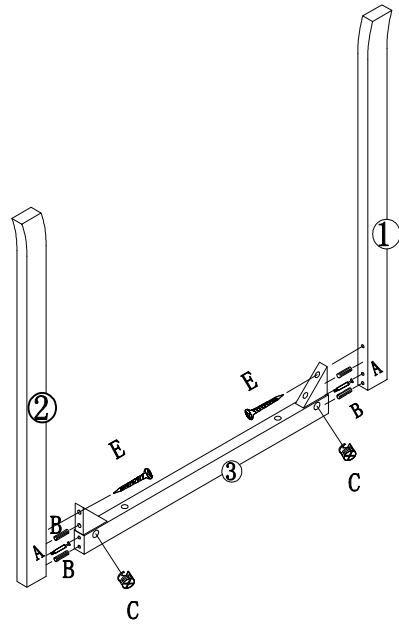
Item	Description	Qty	Figure
1	Left Front Leg	1	
2	Right Front Leg	1	
3	Top front Rail	1	
4	Top panel	1	
5	Shelf	2	
6	Middle Legs	2	
7	Corner Support	2	



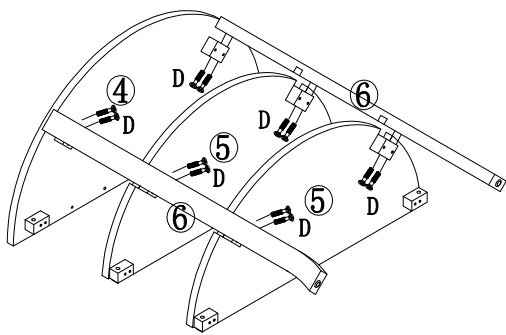
### Step 1



### Step 2



### Step 3



### Step 4

