

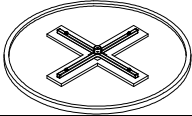

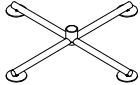
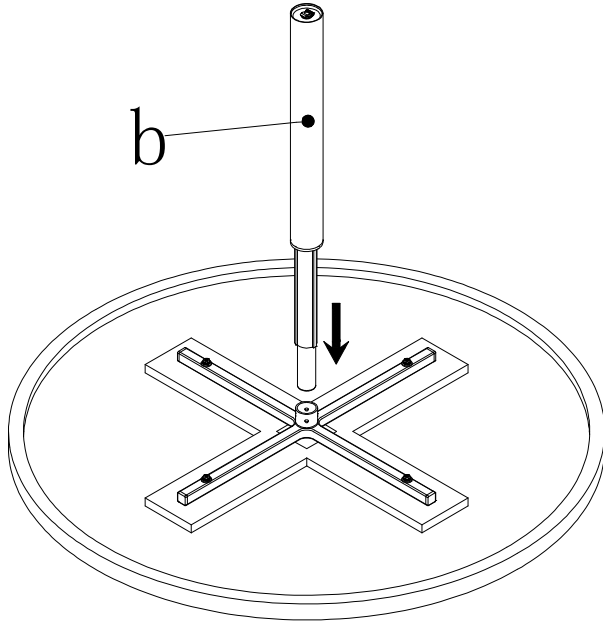


# Assembly Instruction for 3217PUS

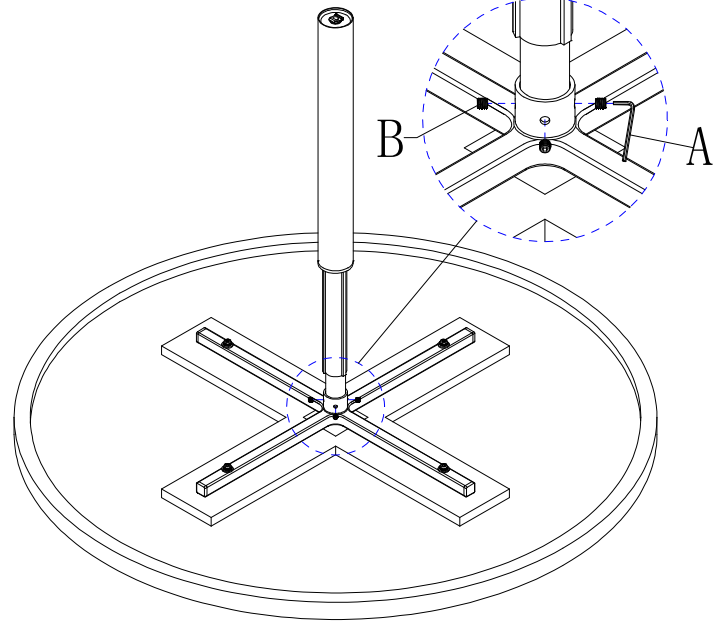
NO.	HARDWARE LIST	QTY
A	 Allen Key	1
B	 Bolt / Boulon	8

NO.	PARTS LIST	QTY
a	 Table Top	1
b	 Gas Lift	1
c	 Table Base	1

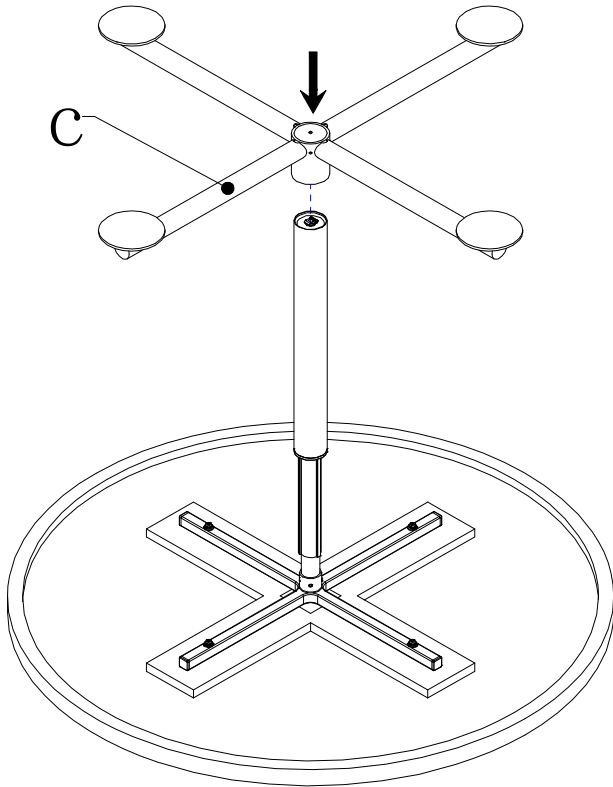
## STEP 1



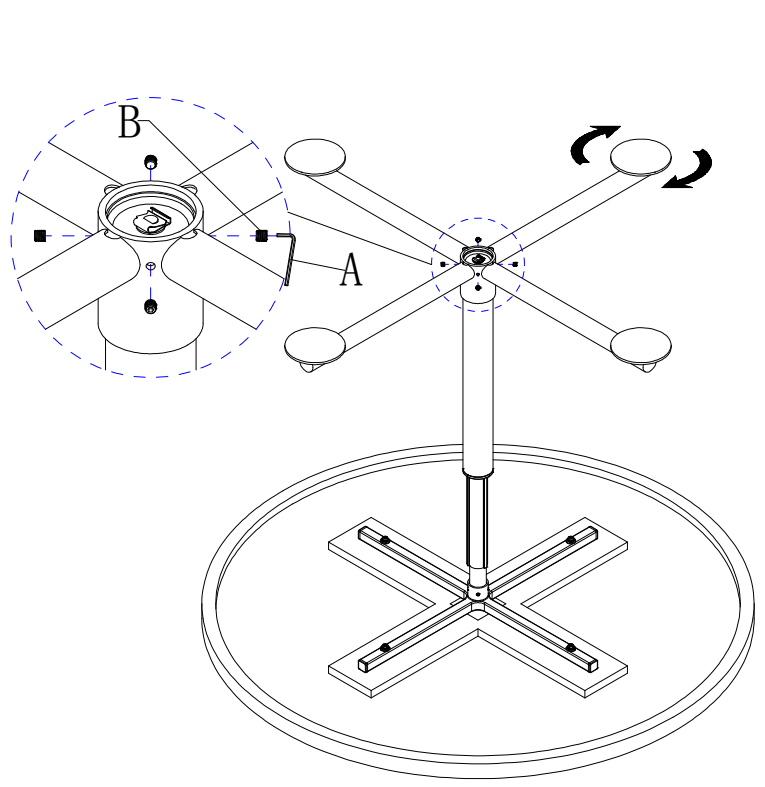
## STEP 2



## STEP 3



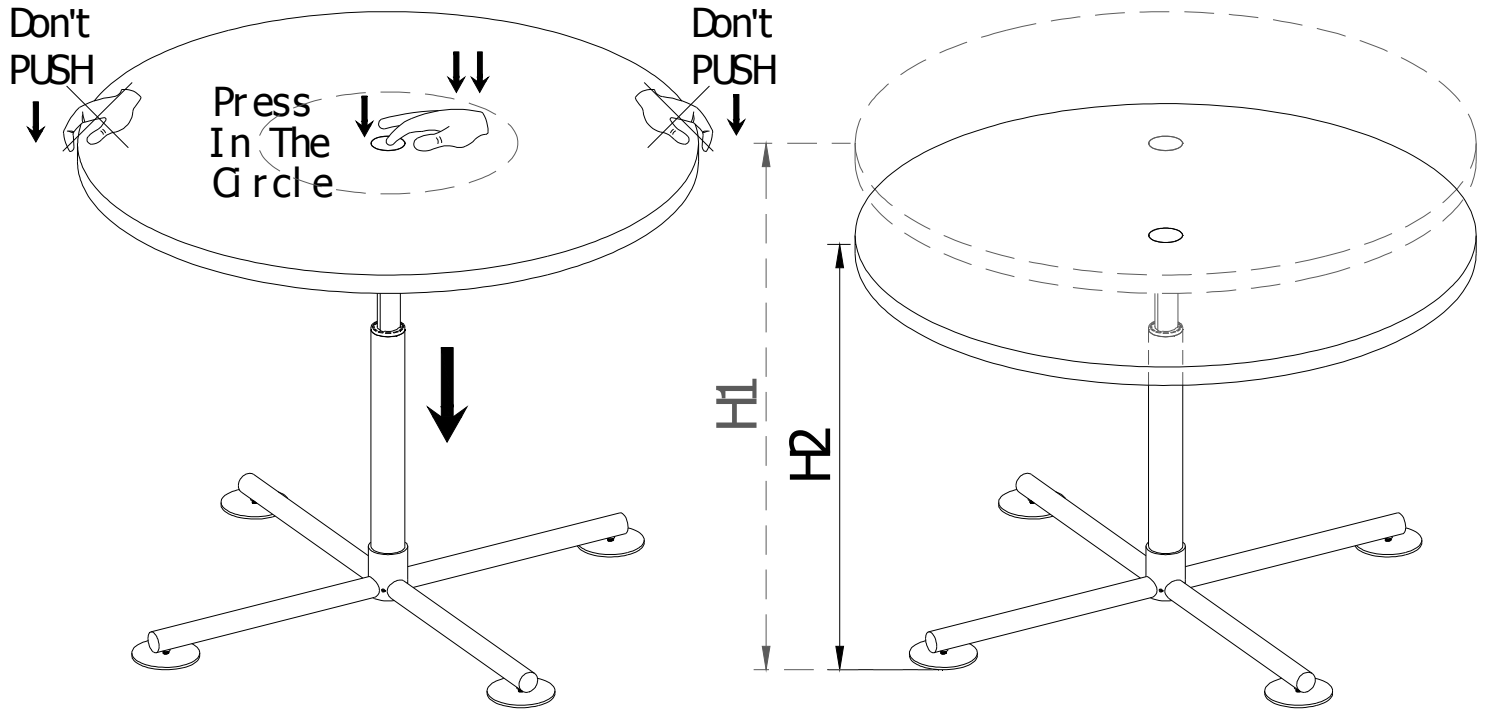
## STEP 4



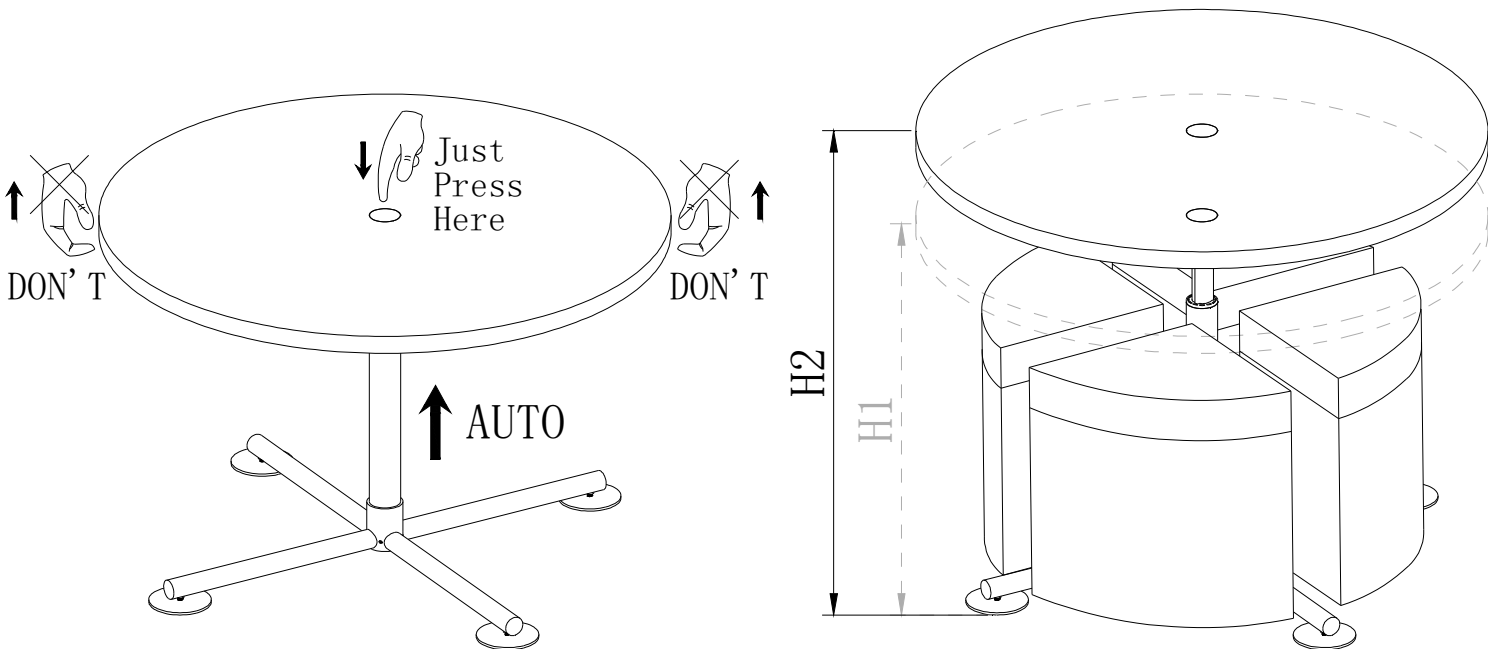
# Assembly Instruction for 3217PUS

## STEP 5

Press the center button to lower the table height. Do not push the table edge to lower the table.



Press the center button to increase the table height. Do not pull the table edge.



## Clean and Care Instructions:

Treat surface with care, please clean the surface with a dry soft cloth. Do not use chemical cleaners or liquids to clean the surface which will cause damages.