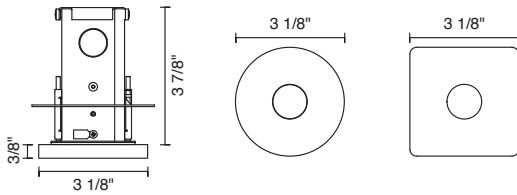


LEDRA® ICE

LEDRA® ICE SQUARE OR ROUND WITH J-BOX



TECHNICAL SPECIFICATIONS

100-240V AC, 50/60Hz input
500mA DC constany current output
5VA, 3W for 1 (2W LED)

~lumen output - 100 source lumens
Suitable for dry location only
2 1/4" hole cutout
Required material thickness - 3/16" - 1 1/16"
not thruwire rated
Short circuit protectoin
Overload protection
Thermal protection

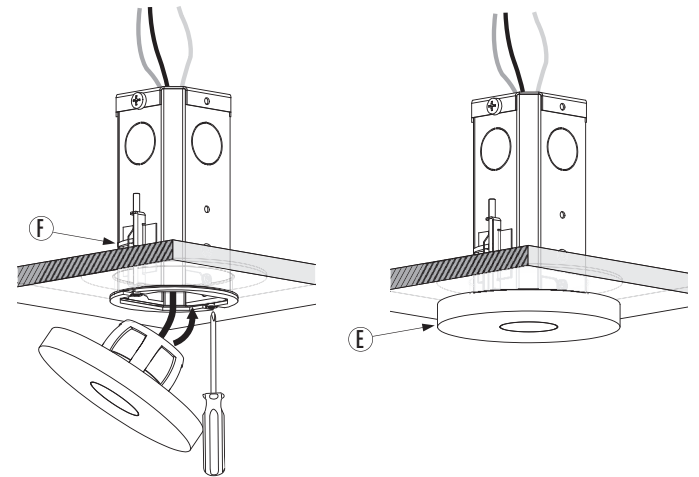
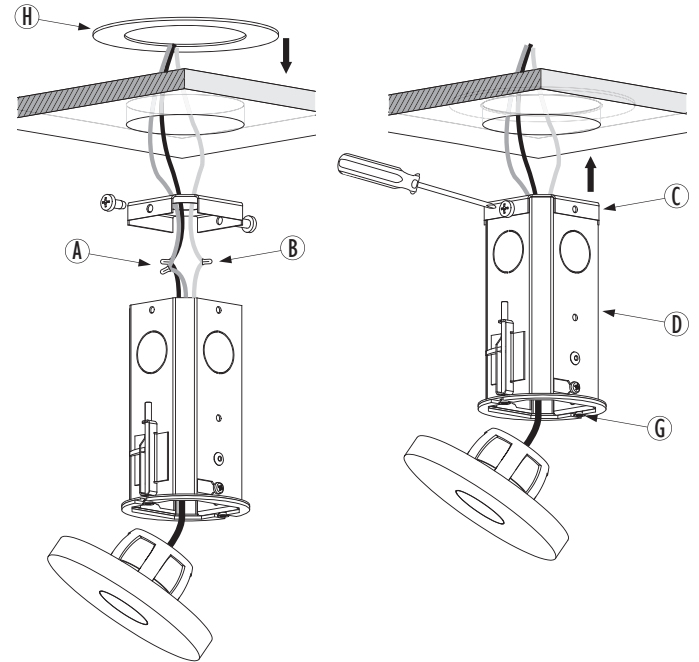
PART NUMBERS

138 006mc	matte chrome, with J-box, square white
138 007mc	matte chrome, with J-box, square blue
138 008mc	matte chrome, with J-box, square red
138 009mc	matte chrome, with J-box, square amber
138 016mc	matte chrome, with J-box, round white
138 017mc	matte chrome, with J-box, round blue
138 018mc	matte chrome, with J-box, round red
138 019mc	matte chrome, with J-box, round amber

IMPORTANT SAFETY INSTRUCTIONS

1. **READ AND FOLLOW THESE WARNINGS AND INSTRUCTIONS BEFORE INSTALLING OR MAINTAINING THIS PRODUCT.**
2. **TURN OFF POWER PRIOR TO ANY WORK ON THE SYSTEM OR PRODUCT.**
3. Do not install damaged product.
4. This product must be installed in accordance with all applicable installation codes and ordinances.
5. Save these instructions and refer to them when additions to changes or services to the fixture or system are made.
6. **THIS PRODUCT MUST BE INSTALLED BY A PERSON FAMILIAR WITH THE CONSTRUCTION AND OPERATION OF THE PRODUCT AND THE HAZARDS INVOLVED, IN ACCORDANCE WITH LOCAL NEC CODE.**
7. This product must be wired in series to a Class 2 LED driver only with 500mA output.
8. **DRY LOCATIONS ONLY.**
9. Turn off power prior to any work on the systems.
Warranty is void in case of unauthorized modifications and/ or improper use.

INSTALLATION INSTRUCTIONS



INSTRUCTIONS FOR USE

- Turn off power prior to any work.
 - Pull the line voltage wires (A) and ground wire (B) through the back plate (C). Use wire nuts to connect the wires to the black, white, and green wires from the driver. Attach the back plate (C) to the j-box (D) with screws.
 - Slide the j-box (D) into the mounting surface (make sure the side brackets (F) are not extended outwards). When possible, place support ring (H) over J-box .Tighten the mounting screws (G) to extend the side brackets and hold the j-box in place.
- DO NOT overtighten the screws; the side brackets may cut through the mounting surface.
- Slide fixture (E) into J-box.



SAVE THESE INSTRUCTIONS

