

Tools Required:

- 3mm hex key
- Standard small slotted screwdriver
- Digging tool

Replacement Parts:

- LED Module (2x) LED-0234/830
- LED Driver 75946
- Cable (6 ft.) 86067

CSA certified to U.S. and Canadian standards. Suitable for wet locations.

Protection Class: IP64

Weight: 5.3 lbs.



Dimensions

- A: 3 1/2"
- B: 27 1/2"
- C: 2"



Luminaire 7266LED:

Housings: Garden bollard housing made of aluminum alloy with matte safety glass. Anchorage base made of hot-dip galvanized steel, made for bolting onto foundation (by others) or other paved surfaces.

Electrical: 7.2W LED luminaire, 9.5 total system watts, -30°C start temperature. Integral 12V AC driver provided. Standard LED color temperature is 3000K with an 85 CRI.

IMPORTANT: For use with magnetic landscape transformers **ONLY**.

Warranty: 3 year manufacturer warranty

Notice to Installer for 7266LED:

WARNING: LEDs are high-quality electrical components. Please avoid opening upper electrical compartment and do NOT touch LED module.

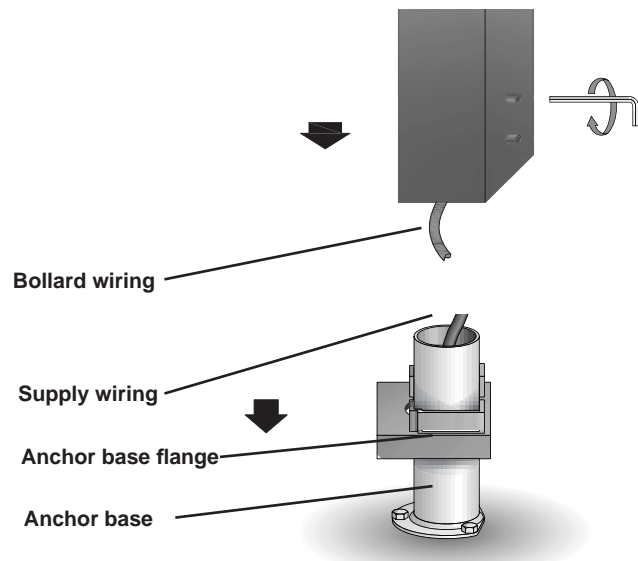
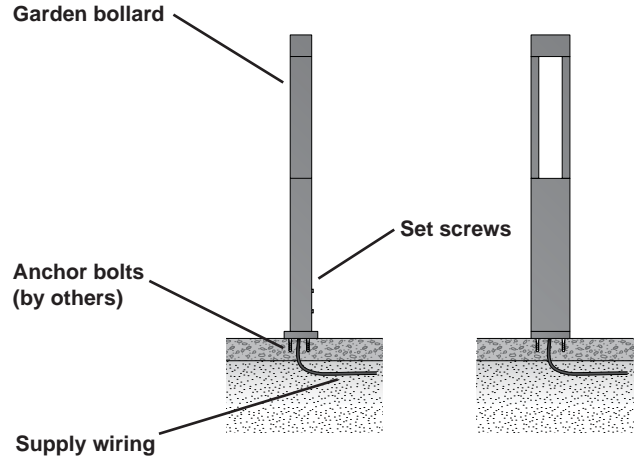
WARNING: RISK OF ELECTRIC SHOCK. Install all luminaires 10 feet or more from pool, spa or fountain.

1. Compatible for use with 12-24V AC input voltage.
2. Voltage must NOT drop below 10V.
3. Turn main power OFF before start of installation.
4. Anchorage hardware provided by others.
5. Low voltage wiring is intended for shallow burial - no more than 6 in.

7266LED installation:

1. Loosen (2) set screws on garden bollard to remove anchor base and anchor base flange.
2. Bring 12V-24V supply wiring into the bottom of the anchor base and feed through to the top until there is 12" of cable coming up through the top of the anchor base.
3. Fix anchor base to existing foundation or surface using sufficient anchor hardware, supplied by others.
4. Slide anchor base flange over anchor base so it covers the anchor bolts.
5. Make wire splices from supply wiring coming out of anchor base to bollard wiring coming down from bollard shaft. For maximum wire run lengths, see table to the right.
6. Push splices into bollard shaft.
7. Mount bollard onto anchor base until the bottom of the bollard hits the anchor base flange. Tighten (2) set screws to secure bollard to anchorage shaft.
8. Connect supply wiring to main power. Turn main power on.

Lamp: Integral 7.2W LED Module
(No replacement necessary)



Connected LED Watts	Max. Run Length (ft) Per Wire Size: 2 Volt drop				
	Wire Size (AWG)				
	18	16	14	12	10
40	46	73	116	185	294
30	61	97	155	246	392
20	92	146	232	369	588
15	122	195	309	492	784
10	183	292	464	738	1176
5	366	585	928	1477	2353

In the interest of product improvement, BEGA reserves the right to make technical changes without notice.