

**COASTER**®  
FINE FURNITURE

**600187**

**ROCKER CHAIR**

---

**ASSEMBLY INSTRUCTIONS**  
**COASTER FINE FURNITURE**



[www.coastercompany.com](http://www.coastercompany.com)

**ASSEMBLY TIPS:**


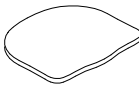




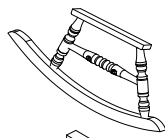
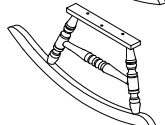
1. Remove hardware from box and sort by size
2. Please check to see that all hardware and parts are present prior to start of assembly.
3. Please follow attached instruction in the same sequence as numbered to assure fast & easy assembly.






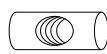




**Warning!**

1. Don't attempt to repair or modify parts that are broken or defective. Please contact the store immediately.
2. This product is for home use only and not intended for commercial establishment.

**PARTS IDENTIFICATION**

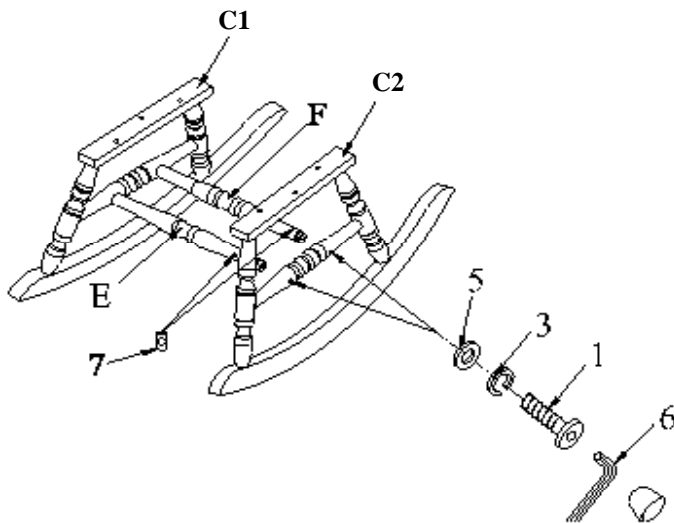
<b>A</b>		<b>CHAIR BACK</b>	<b>1PC</b>	<b>D</b>		<b>WOOD SEAT</b>	<b>1PC</b>
<b>B1</b>		<b>LEFT ARM REST</b>	<b>1PC</b>	<b>E</b>		<b>LONG STRETCHER</b>	<b>1PC</b>
<b>B2</b>		<b>RIGHT ARM REST</b>	<b>1PC</b>	<b>F</b>		<b>SHORT STRETCHER</b>	<b>1PC</b>
<b>C1</b>		<b>LEFT LEG</b>	<b>1PC</b>				
<b>C2</b>		<b>RIGHT LEG</b>	<b>1PC</b>				

**HARDWARE IDENTIFICATION**

<b>1</b>		<b>LONG BOLT</b>	<b>8PCS</b>	<b>6</b>		<b>ALLEN WRENCH</b>	<b>1PC</b>
<b>2</b>		<b>SHORT BOLT</b>	<b>9PCS</b>	<b>7</b>		<b>BARREL NUT</b>	<b>6PCS</b>
<b>3</b>		<b>LOCK WASHER</b>	<b>17PCS</b>	<b>8</b>		<b>WOOD PLUG</b>	<b>9PCS</b>
<b>4</b>		<b>BIG FLAT WASHER</b>	<b>2PCS</b>				
<b>5</b>		<b>SMALL FLAT WASHER</b>	<b>15PCS</b>				

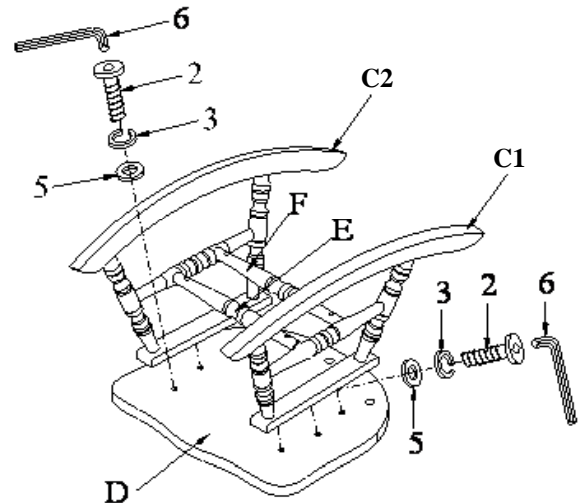
**STEP 1**

Align and fasten short and long stretchers to left and right leg frame using long bolt, lock washer and flat washer, tighten with Allen wrench. Insert wood plug into leg frame stretcher.



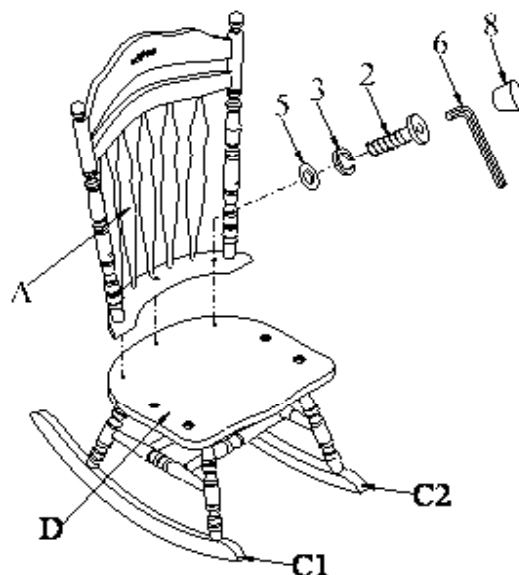
**STEP 2**

Place wood seat upside down on soft surface, align and hand tighten left and right leg frame to wood seat using short bolt, lock washer and flat washer, tighten all bolt with Allen wrench.



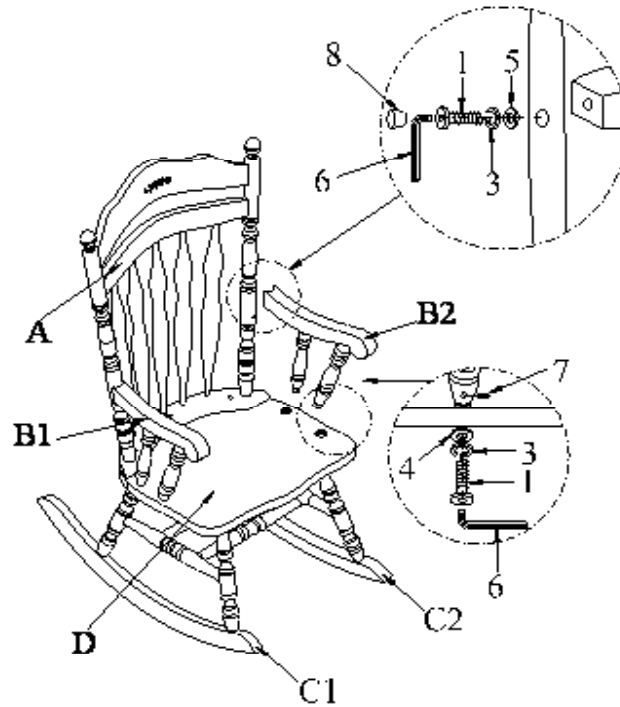
**STEP 3**

Align and fasten chair back to wood seat using short bolt, lock washer and flat washer then tighten with Allen wrench. Insert wood plug into the chair back brace.



**STEP 4**

Align and fasten left and right arm rest to chair back using long bolt, lock washer and small flat washer and tighten with Allen wrench.



**STEP 5**

Complete.

