

**COASTER**<sup>®</sup>  
FINE FURNITURE

**701079**

**DARK WALNUT SOFA TABLE**

---

**ASSEMBLY INSTRUCTION  
COASTER FINE FURNITURE**



**[www.coastercompany.com](http://www.coastercompany.com)**

# Assembly Instruction

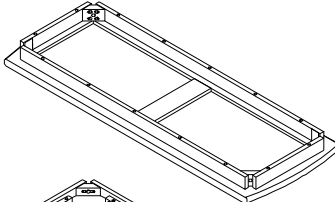
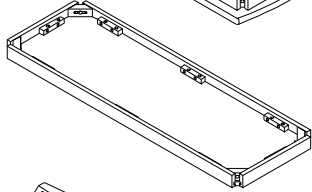
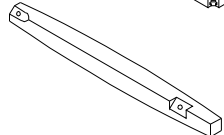
**ASSEMBLY TIPS:**

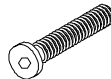


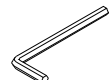
- 1.Remove hardware from box and sort by size.
- 2.Please check to see that all hardware and parts are present prior to start of assembly.
- 3.Please follow attached instructions in the same sequence as numbered to assure fast & easy assembly.

**Warning!**

- 1.Don't attempt to repair or modify parts that are broken or defective.please contact the store immediately.
- 2.This product is for home use only and not intended for commercial establishment.

**PARTS IDENTIFICATION**

(A)	TABLE TOP		1PC
(B)	BOTTOM SHELF		1PC
(C)	LEG		4PCS

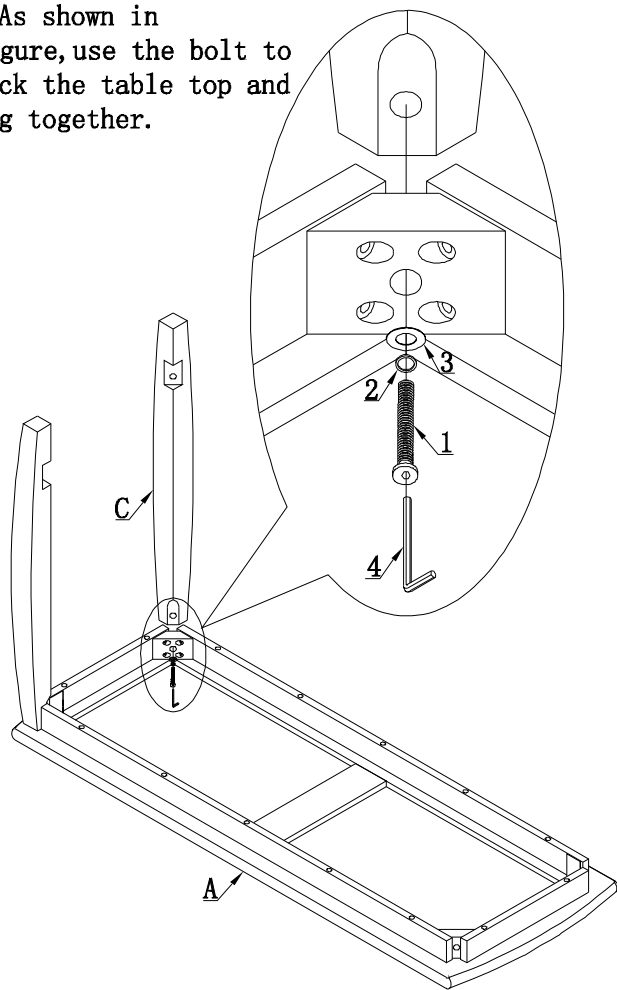
Z	HARDWARE PACKAGE		
	DESCRIPTION	FIGURE	Q' TY
1	Bolt $\varnothing$ 5/16X2"		8PCS
2	Flat Washer $\varnothing$ 5/16		8PCS
3	Spring Wrench $\varnothing$ 19mm		8PCS
4	Allen Wrench 4mm		1PC

# ITEM:701079

## ASSEMBLY INSTRUCTION

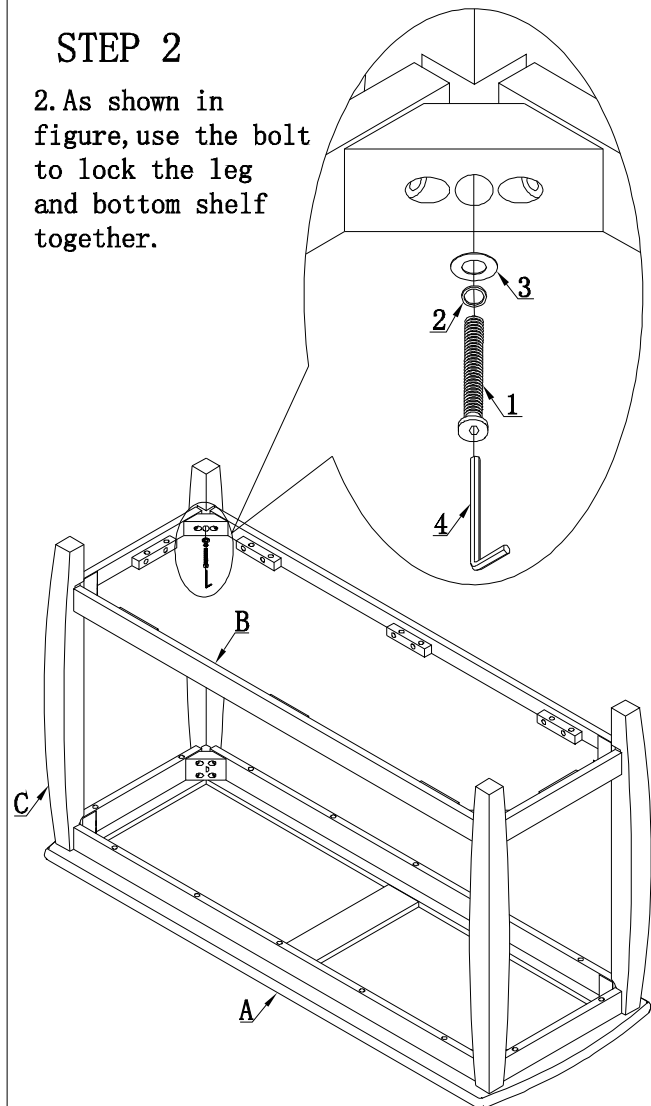
### STEP 1

1. As shown in figure, use the bolt to lock the table top and leg together.

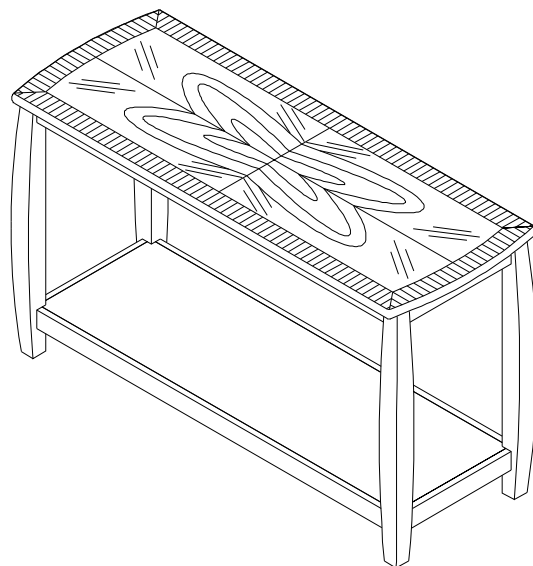


### STEP 2

2. As shown in figure, use the bolt to lock the leg and bottom shelf together.



### STEP 3



3. Assembly Completed.