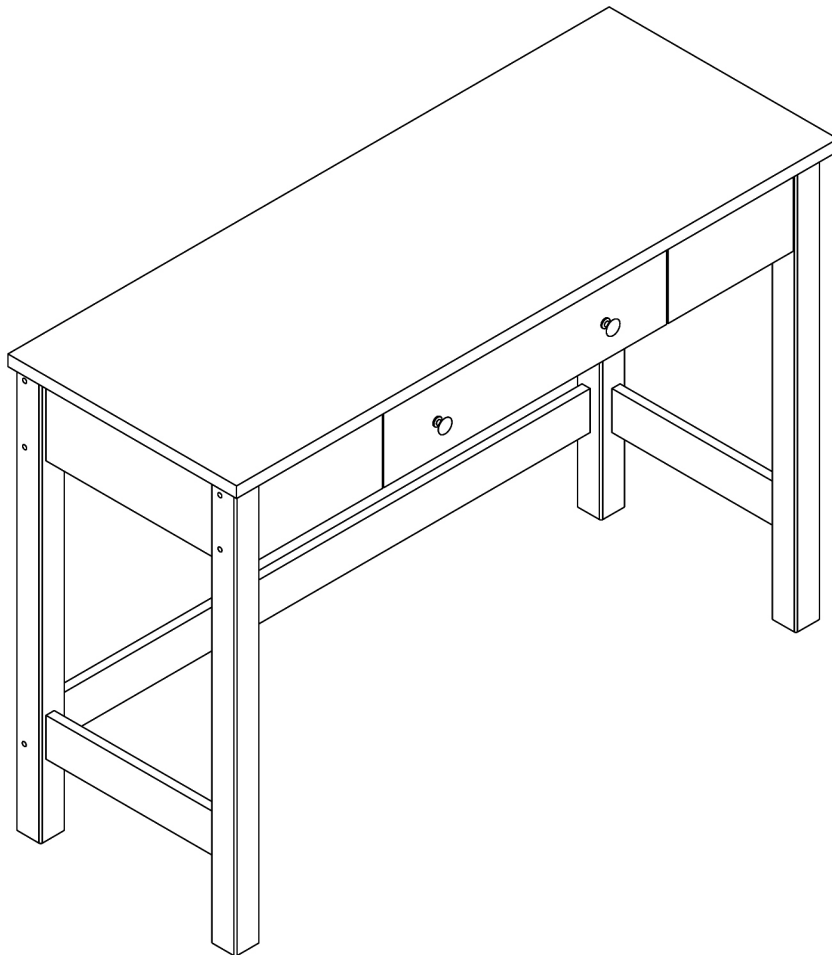


BayShore
C O L L E C T I O N

Sofa/Console Table



F68344

Assembly Instructions

Congratulations for choosing Bay Shore Collection Furniture!

This item has been manufactured from
high quality materials for home use.

Please read this manual and familiarize yourself
with all the parts prior to assembly.

Follow each step as shown

Caring for your Bay Shore Collection Furniture:

Keep your furniture free from dust

Wipe surfaces with a clean, lint free cloth.

Use only a mild furniture polish to retain the
wood's luster and finish.

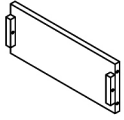
Do not place anything with a rough or wet bottom
directly on the table as scratches and or
"water rings" may occur.

Occasionally check and tighten leg and drawer hardware.

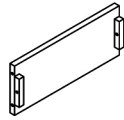
Never "drag" or pull your furniture across the floor,
always (and with the help of another person) lift
your furniture and place it where you want it.

***Take care of your Bay Shore Collection Furniture and
you will enjoy it for years to come!***

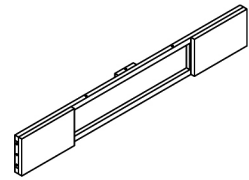
Part List



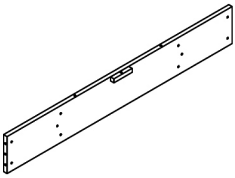
Ⓐ 1PC
Left Partition



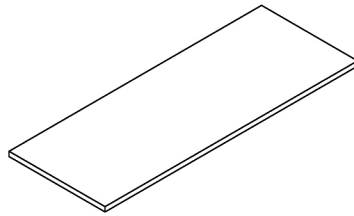
Ⓑ 1PC
Right Partition



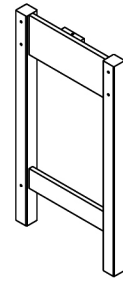
Ⓒ 1PC
Front Panel



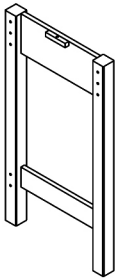
Ⓓ 1PC
Back Panel



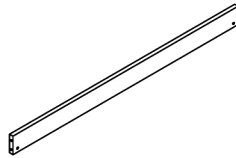
Ⓔ 1PC
Top Shelf



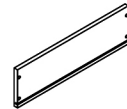
Ⓕ 1PC
Left Side Panel



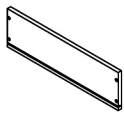
Ⓖ 1PC
Right Side Panel



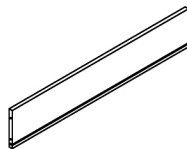
Ⓗ 1PC
Rail



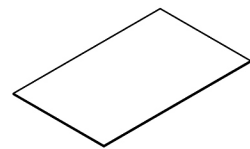
Ⓘ 1PC
Drawer Left
Side Panel



Ⓙ 1PC
Drawer Right
Side Panel

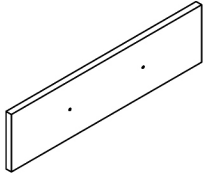


Ⓚ 1PC
Drawer Back Panel



Ⓛ 1PC
Drawer Bottom Shelf

Part List

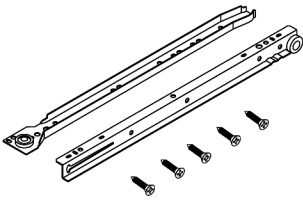


Ⓜ 1PC

Drawer Front Panel

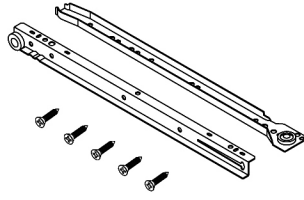
CAUTION : Do not use power tools to tighten the screws and/or bolts. Drills and Power Screwdrivers can provide too much torque and may damage parts unnecessarily. Use only the Allen Wrench provided and your own Phillips Head Screwdriver.

Hardware



① 1SET

Left Runner



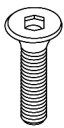
② 1SET

Right Runner



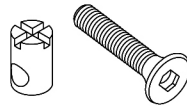
③ 18PCS

Dowels



④ 8SETS

Screws



⑤ 10SETS

Threaded Inserts



⑥ 10PCS

Wooden Screw Caps



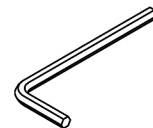
⑦ 8PCS

Drawer Screws



⑧ 2SETS

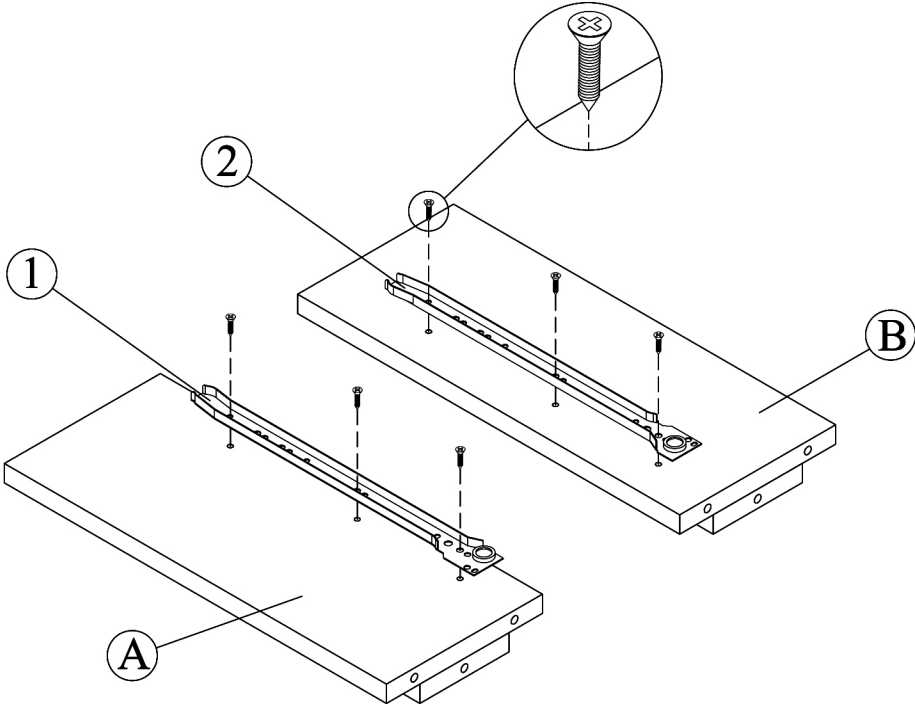
Knobs



⑨ 1PC

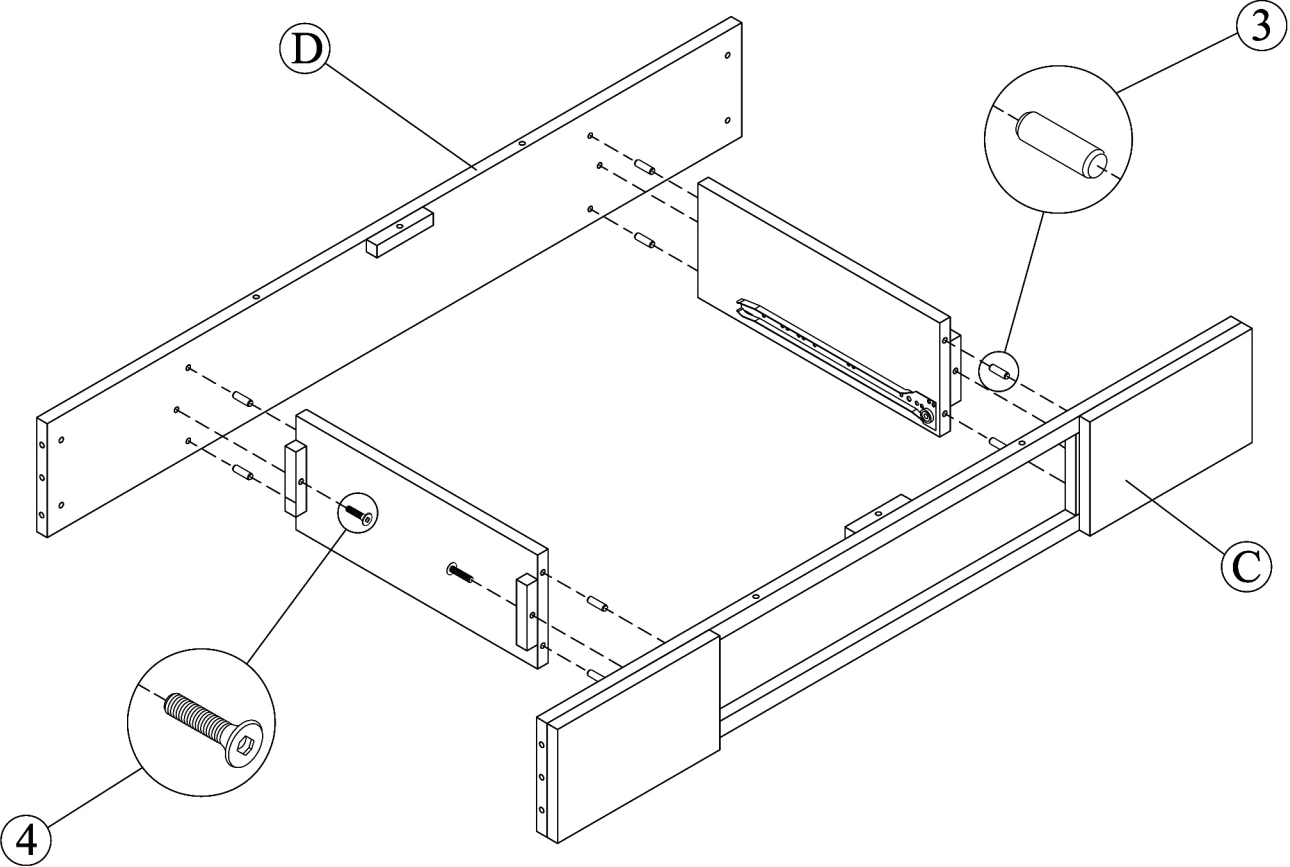
Allen Wrench

Step 1

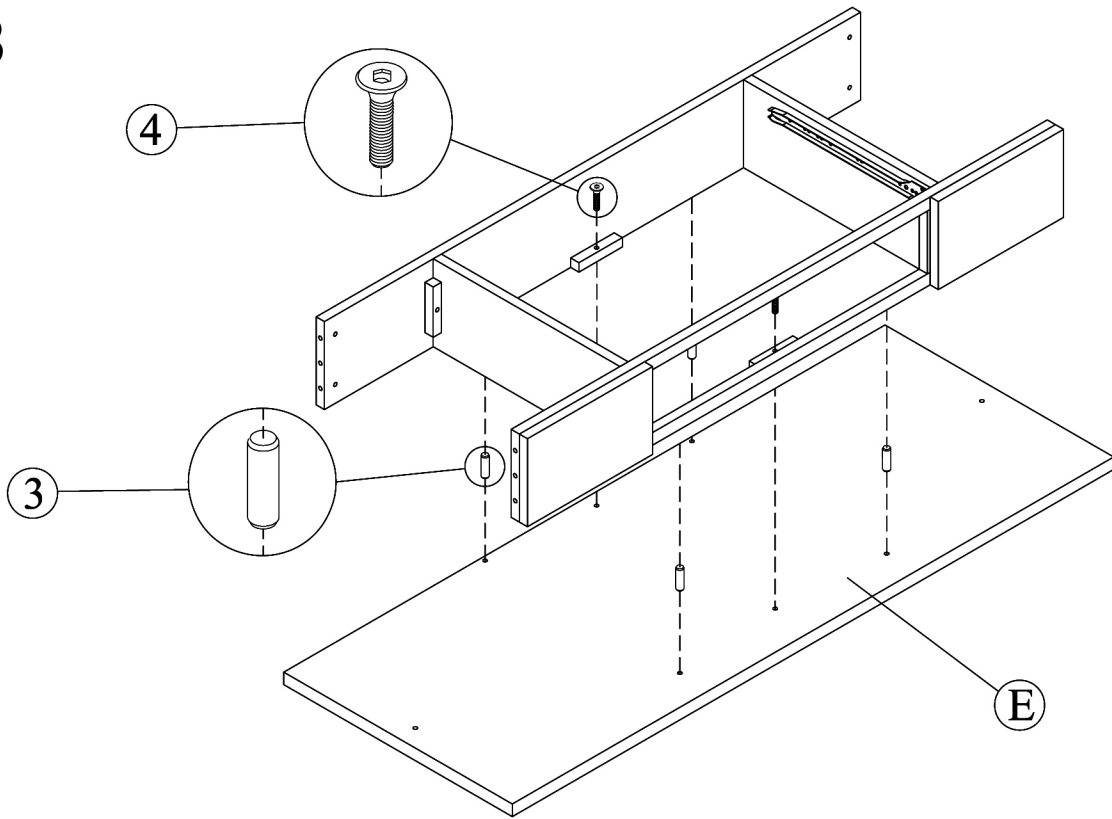


Always be careful not to overtighten!

Step 2

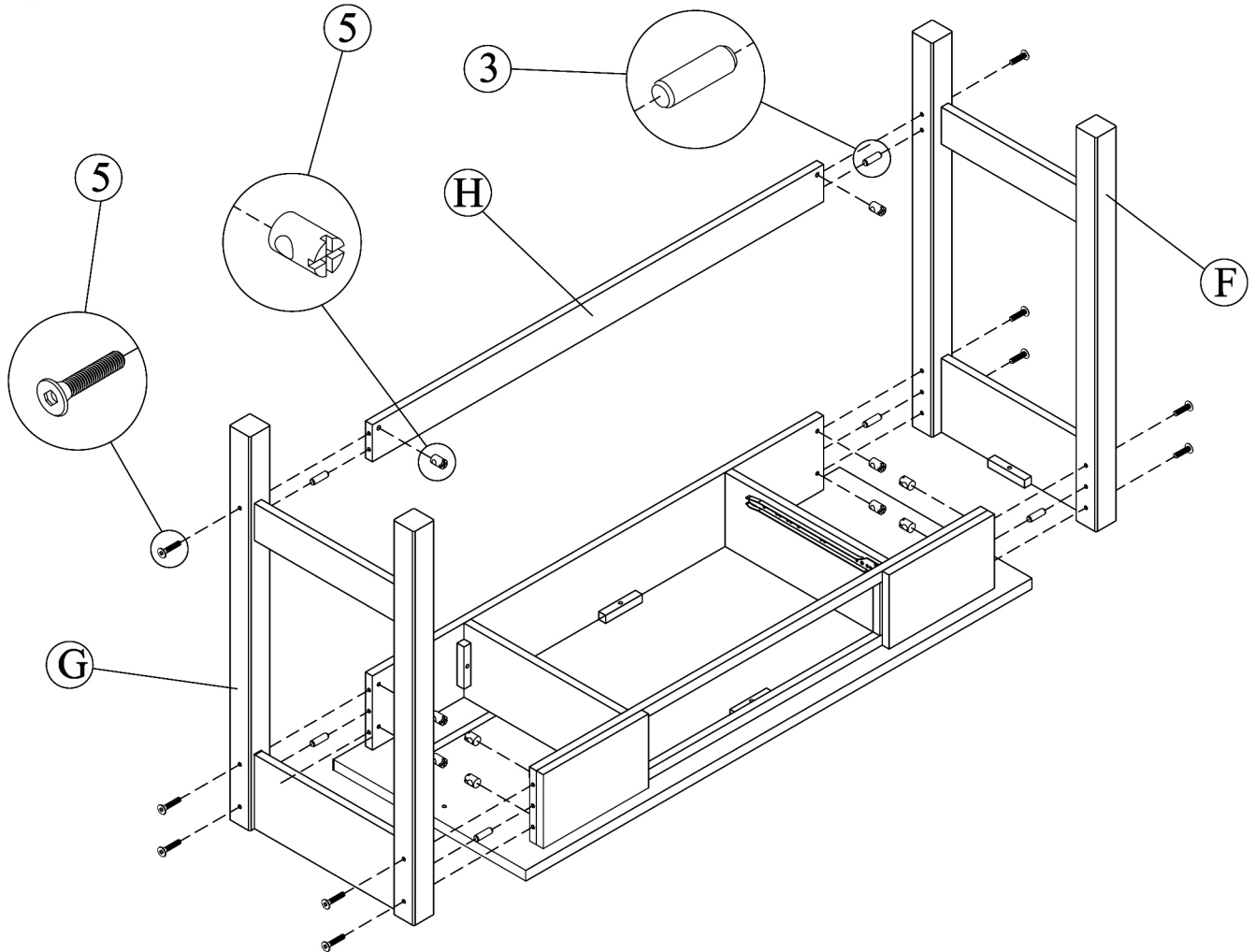


Step 3

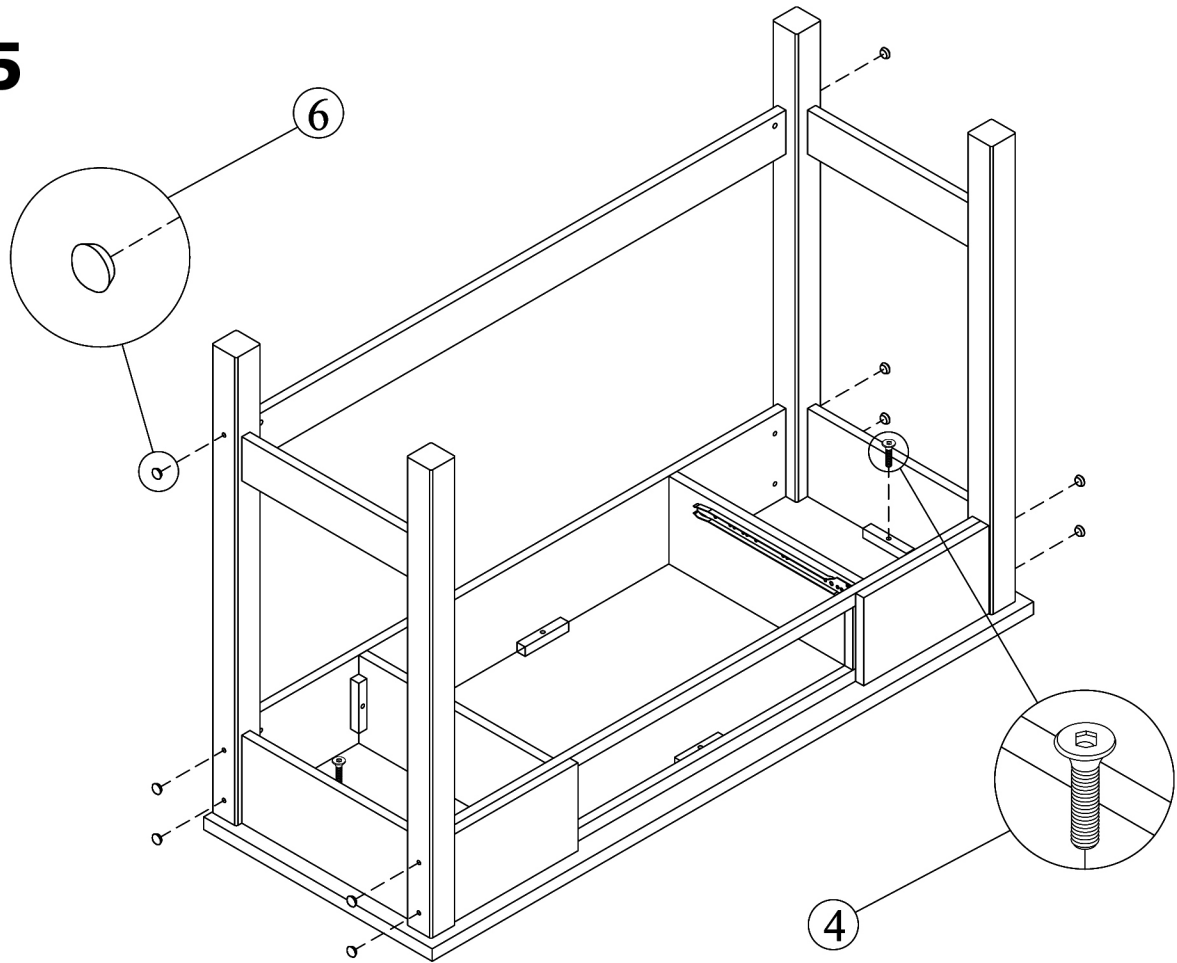


Always be careful not to overtighten!

Step 4

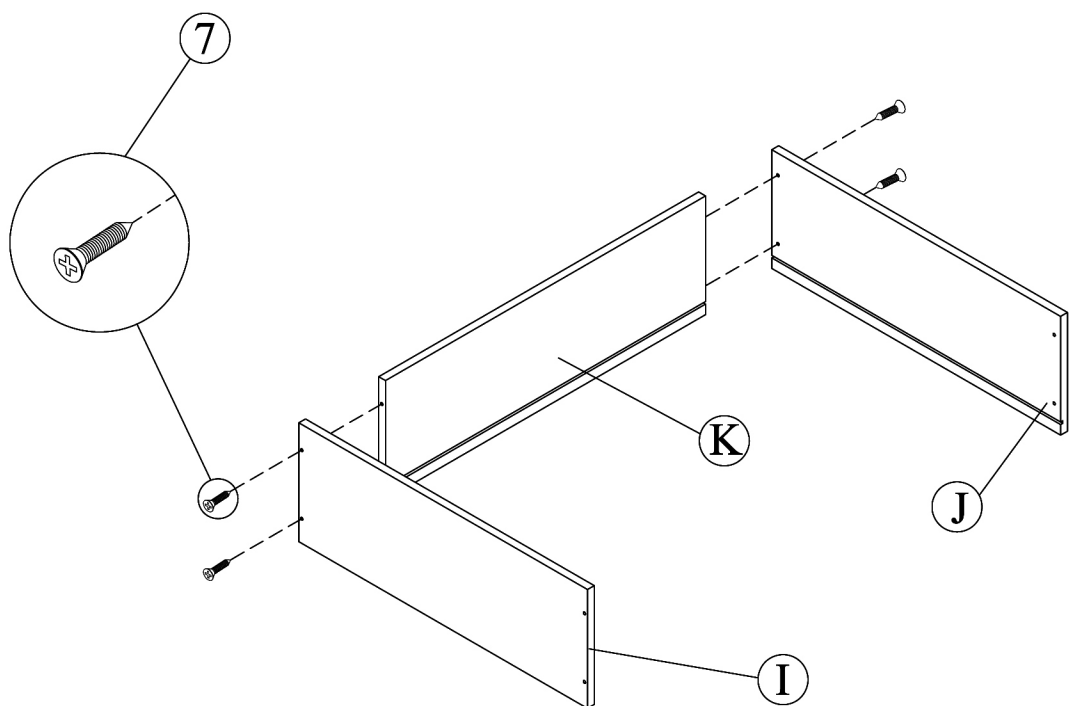


Step 5

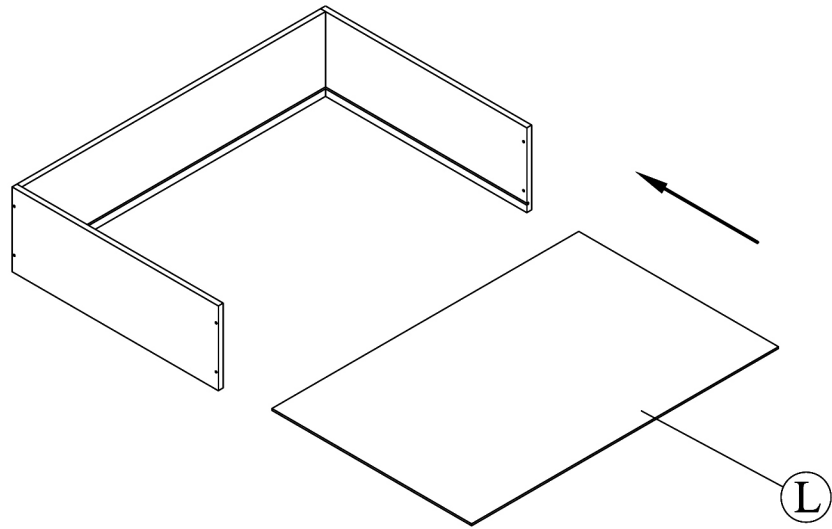


Always be careful not to overtighten!

Step 6

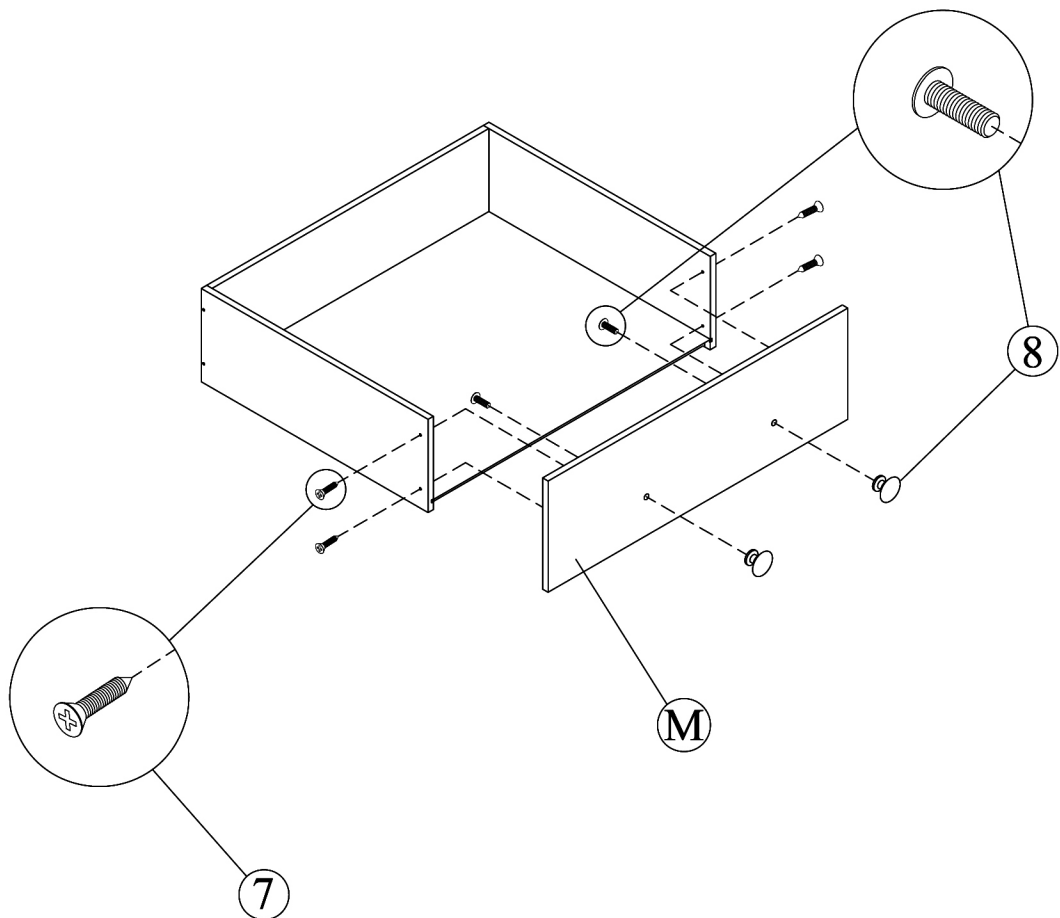


Step 7

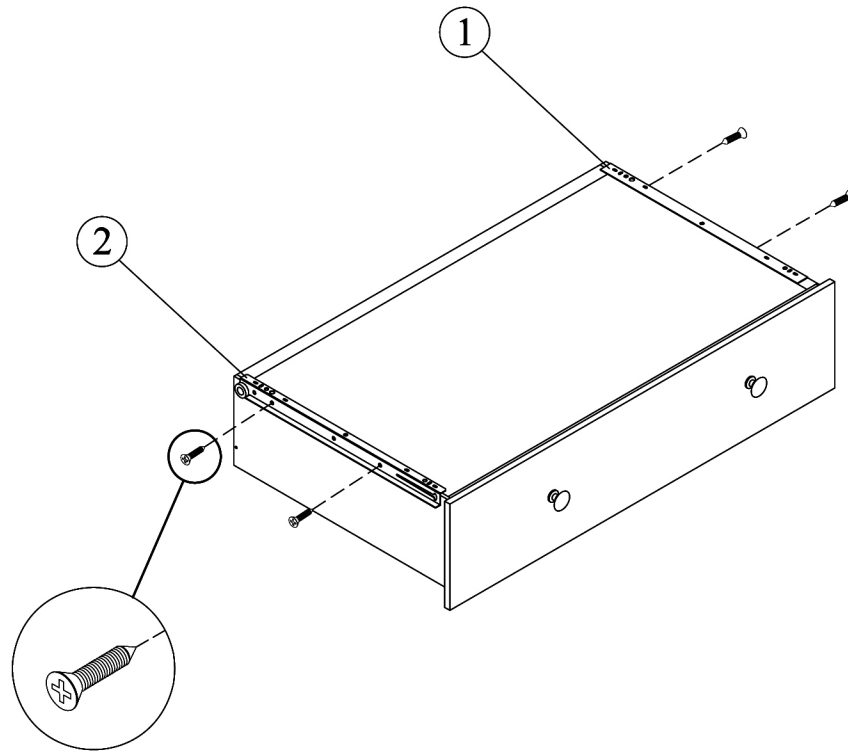


Always be careful not to overtighten!

Step 8

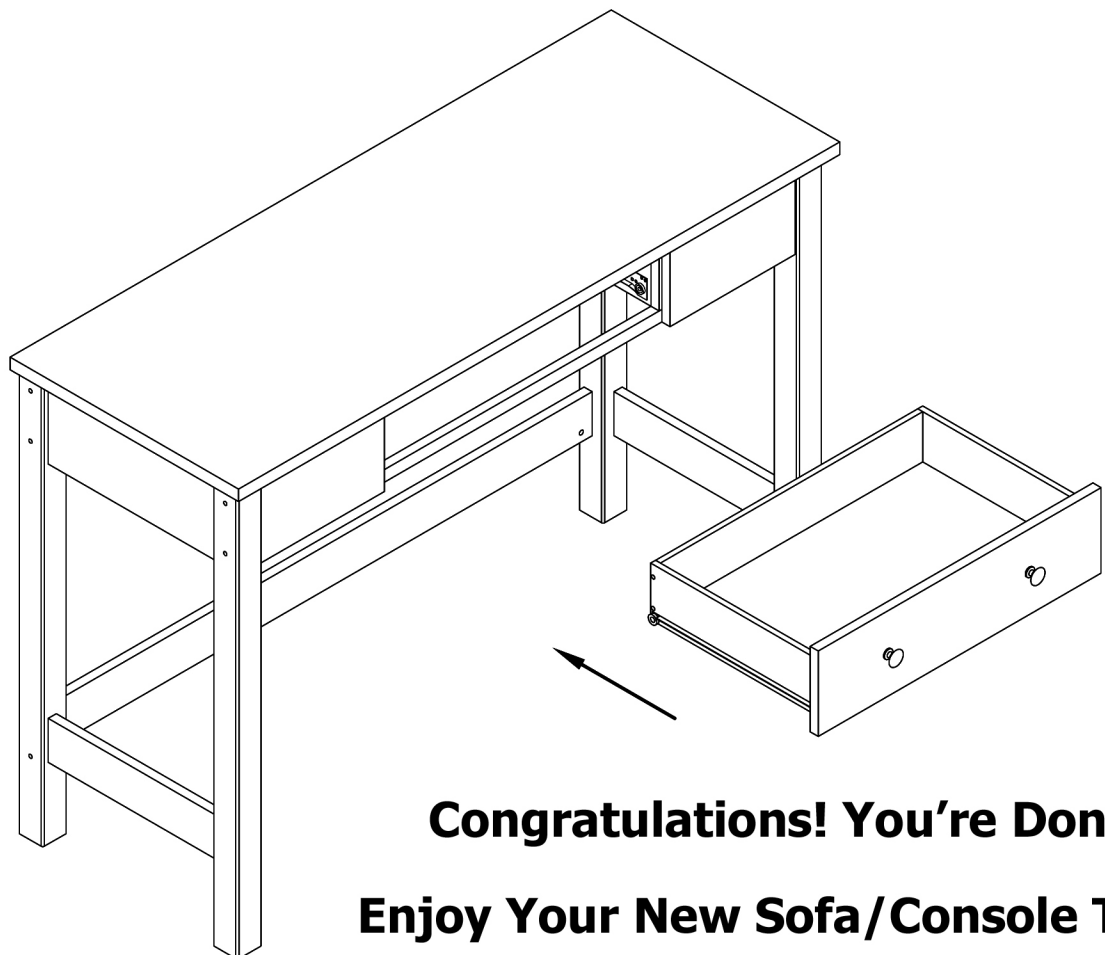


Step 9



Always be careful not to overtighten!

Step 10



Congratulations! You're Done!
Enjoy Your New Sofa/Console Table

BayShore

C O L L E C T I O N

Limited Warranty

This product is warranted to be free of defects in workmanship or materials from the time of purchase for a period of 90 days.

Should evidence of defects in materials or workmanship appear with the 90 day limited warranty period after the date of purchase Lion Sports Inc. will either repair or replace the defective part at its option. This limited warranty covers normal consumer usage. This limited warranty does not cover institutional or commercial use and does not cover failures which result from alterations, accidents, misuse, abuse neglect or acts of God.

Do not return this product to the store or place of purchase they are not equipped to handle warranty requests. All warranty requests require a return authorization number issued by Lion Sports Inc.

Proof of purchase or other proof of the date of purchase is required. Requests for warranty service can be made at 1-877-244-5466 between the hours of 9am and 4pm EST or via the internet at customerservice@lionsportsinc.com

This warranty gives you specific legal right and you may have other rights which vary from state to state.

Thank you for purchasing this quality Bayshore Collection Product.

**Lion Sports Inc.
701 Koehler Ave. Ste 2
Ronkonkoma, NY 11779
Toll Free Customer Service Hotline –
1-877-244-5466
Or customerservice@lionsportsinc.com**

