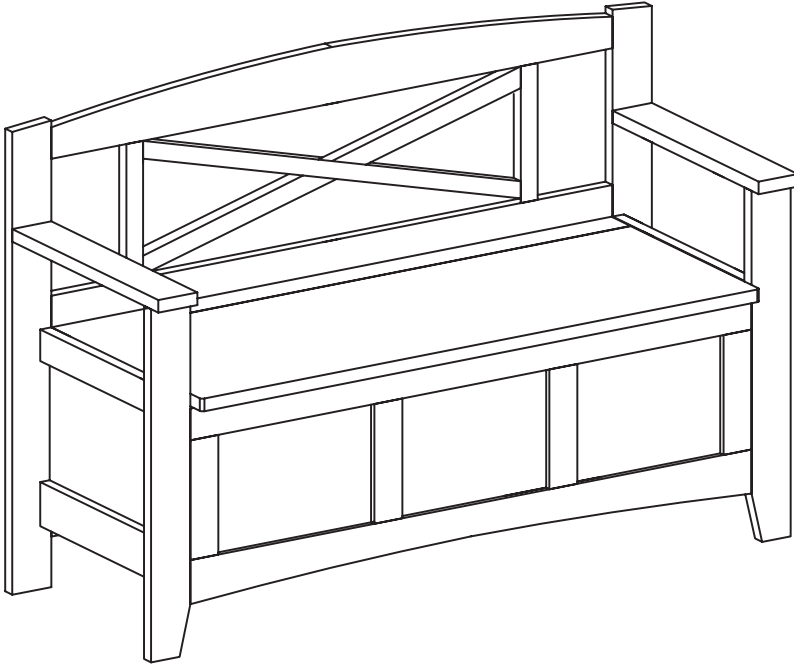




# MET42

## METRO ENTRY WAY BENCH w/ X BACK STYLE

### ASSEMBLY INSTRUCTIONS



#### **WARNING**

1. Do not use this product unless all screws and bolts are securely tightened.
2. Check that all screws and bolts are tight every three months or as needed.
3. Dispose of packing material properly. Do not use plastic cover as head covering. It may cause suffocation.
4. Do not use this product as a stepladder.
5. Use this product for its intended purpose only.
6. **Intended for residential use only**

#### **LIMITED WARRANTY**

OSP Designs Warrants, to the original purchaser its products to be free from defects in material and workmanship for a period of 90 days. Defects and damage from misuse, abuse, negligence, alteration, accident, vandalism, rusting, acts of nature or any other event beyond the control of OSP Designs is not covered. The warranty does not cover cosmetic damage that may result from normal use. Liability for incidental or consequential damages is excluded. The user assumes all risk of injury resulting from use of this product. This warranty gives you specific legal rights, and you may also have other rights which vary from state to state.




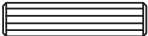






To make a warranty claim, contact Customer Service, provide model number, sales receipt and description of the problem. It is the customer's responsibility to prepay freight on any components returned to the factory. OSP Designs will pay return freight on components covered under terms of warranty.

Our quality standards are among the highest in the industry. Sometimes, no matter how hard we try, there are times when hardware is missing. Our Parts Department will do everything possible to promptly remedy the problem. Contact us via email [parts@officestar.net](mailto:parts@officestar.net), by Fax 1-909-930-5629, or toll free parts number 1-800-950-7262, Monday through Friday 8:00 a.m. - 5:00 p.m. Pacific Time. OSP Designs P.O. Box 3520 Ontario, California 91761 USA

## PARTS LIST

NO	DESCRIPTION	Q'TY
1	Seat Assembly	1
2	Left Side Frame	1
3	Right Side Frame	1
4	Backrest	1
5	Front Panel	1
6	Back Panel	1
7	Bottom Panel	1
8	Support Back	1

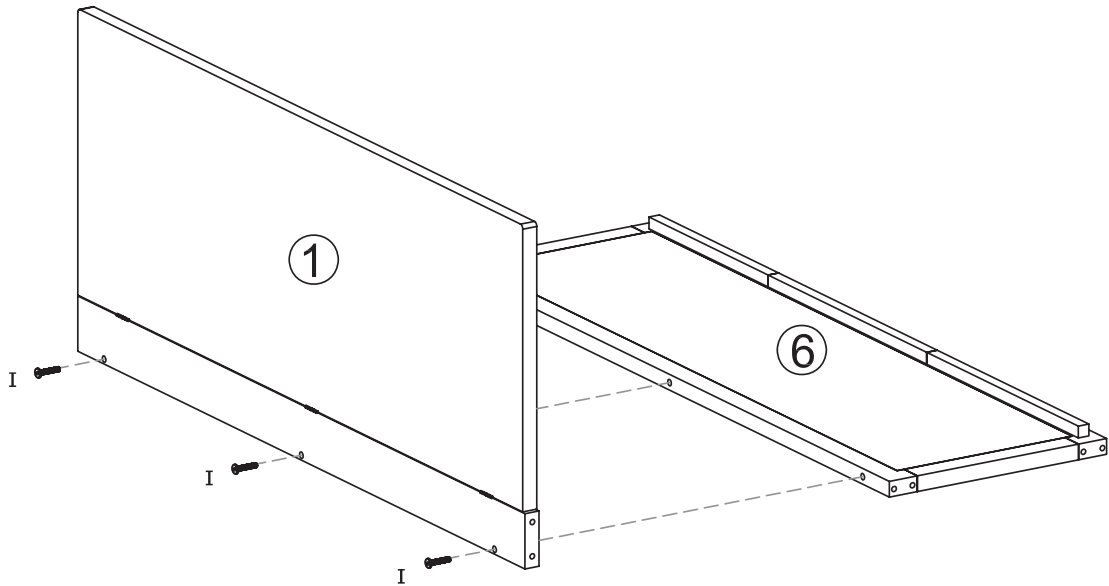
# HARDWARE LIST

NO	SKETCH	DESCRIPTION	SIZE	Q'TY
A		Long Bolt	60 mm	12
B		Wood Screw		4
C		Safety Hinge		1
D		Long Wood Dowel	30 mm	16
E		Wrench		1
F		Wood Plug		12
G		Short Wood Dowel	20 mm	2
H		Medium Bolt	50 mm	1
I		Short Bolt	30 mm	3
J		Wood Screw		4

**NOTE:** Phillips screwdriver also needed for assembly (not provided).

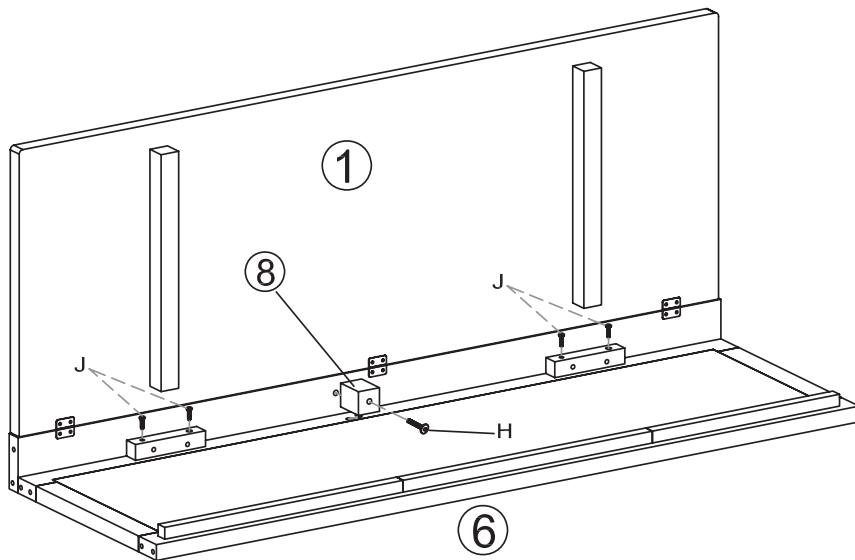
## STEP 1

Attach Seat Assembly (1) to Back Panel (6) using three Short Bolts (I). **FULLY TIGHTEN SHORT BOLTS (I).**



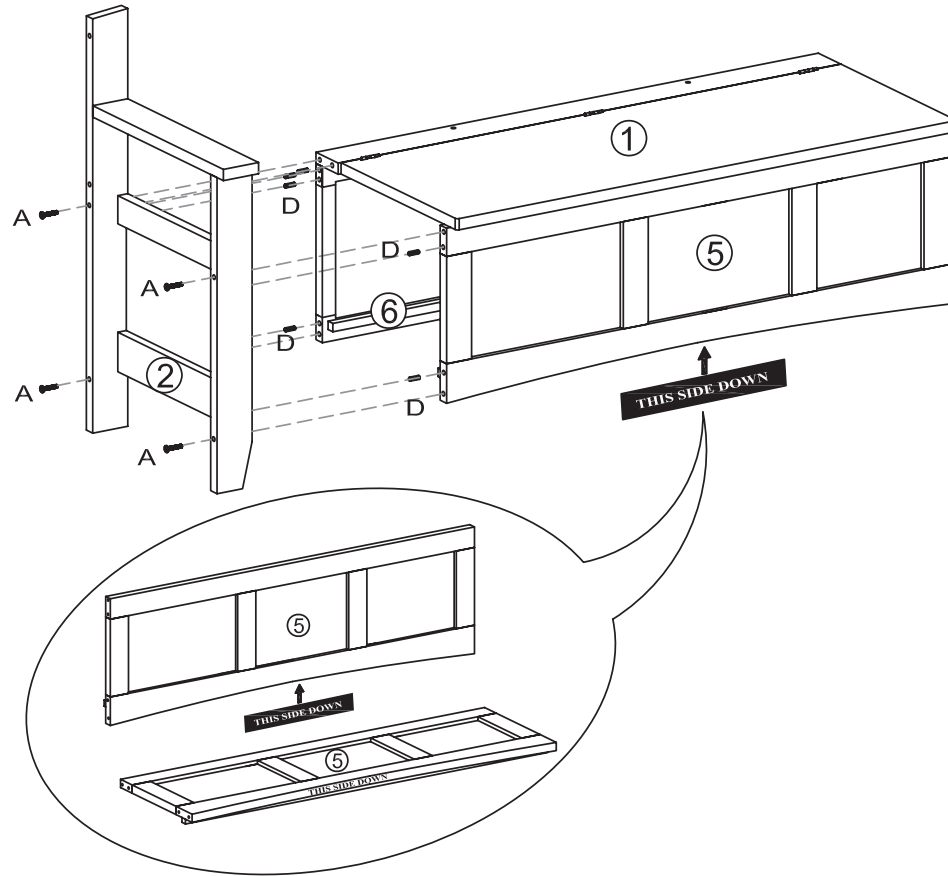
## STEP 2

Attach Support Back (8) to Seat Assembly (1) using one Medium Bolt (H), **FULLY TIGHTEN MEDIUM BOLT (H).** Further secure Seat Assembly (1) to Back Panel (6) using four Wood Screws (J). **FULLY TIGHTEN ALL WOOD SCREWS (J).**



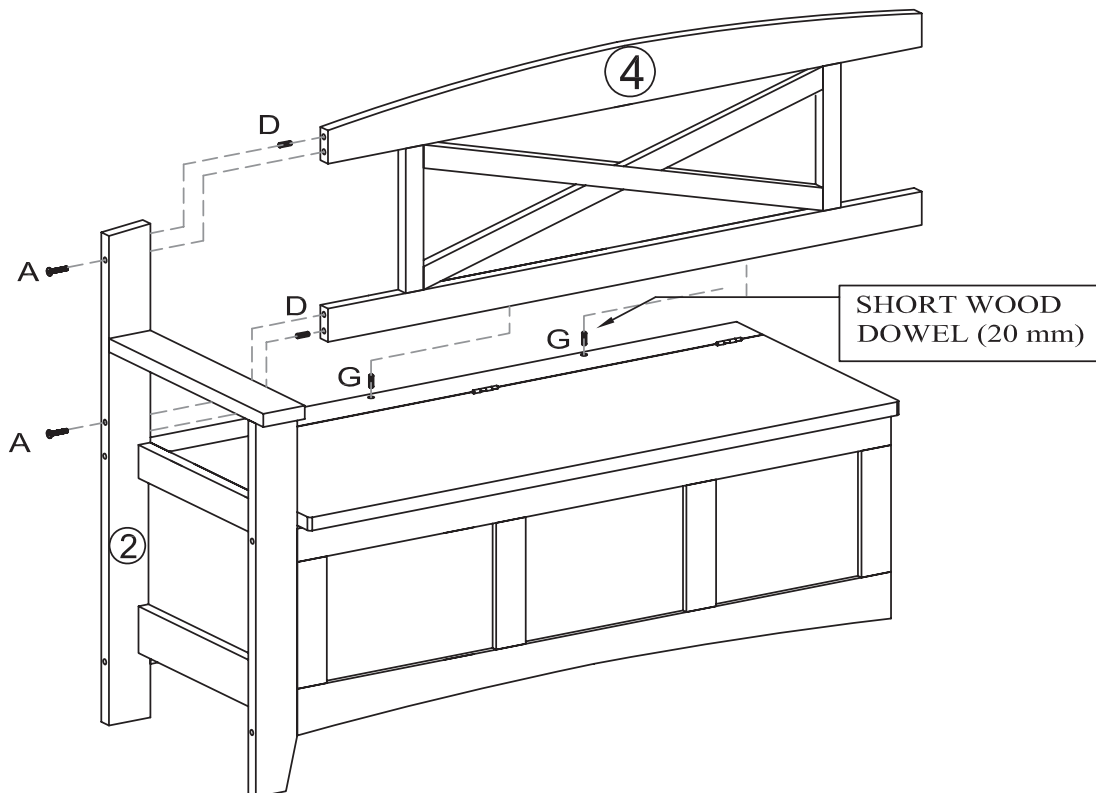
### STEP 3

Insert six Long Wood Dowels (D) into Left Side Frame (2). Secure Front Panel (5) to Left Side Frame (2) using two Long Bolts (A), DO NOT FULLY TIGHTEN LONG BOLTS (A). Secure Seat Assembly (1) and Back Panel (6) to Left Side Frame (2) using two Long Bolts (A). **FULLY TIGHTEN ALL LONG BOLTS (A).**



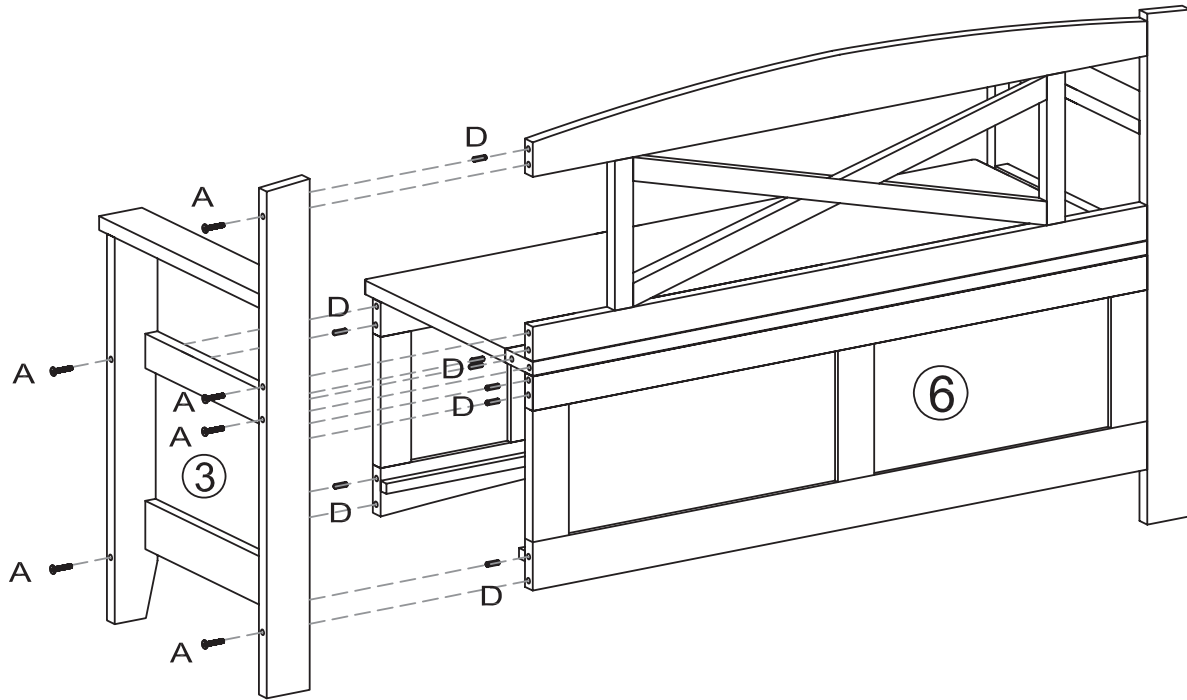
### STEP 4

Insert two Long Wood Dowels (D) into Left Side Frame (2), and insert two Short Wood Dowels (G) into bottom of Backrest (4). Attach Backrest (4) to assembly and secure using two Long Bolts (A). **FULLY TIGHTEN ALL LONG BOLTS (A).**



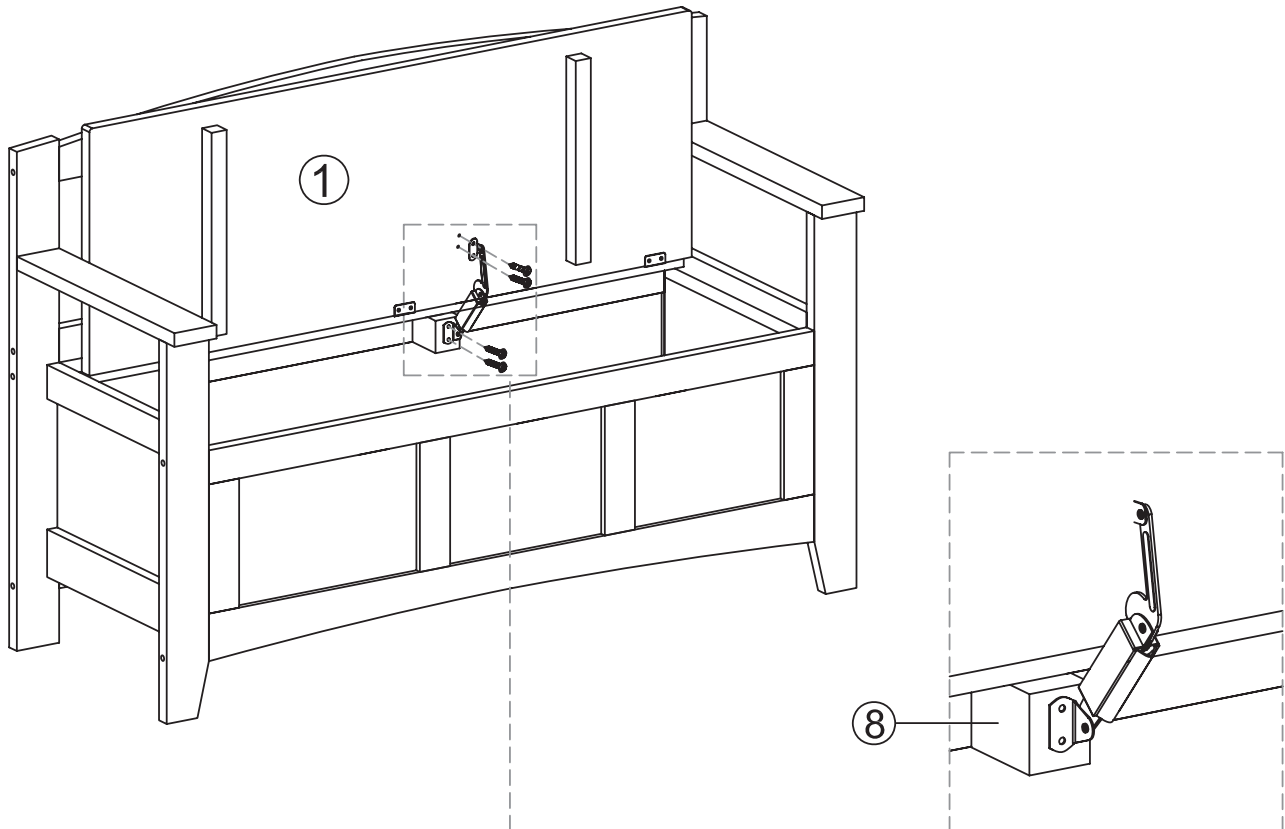
## STEP 5

Insert eight Long Wood Dowels (D) into Right Side Frame (3), attach Right Side Frame (3) to assembly and secure using six Long Bolts (A). **FULLY TIGHTEN ALL LONG BOLTS (A).**



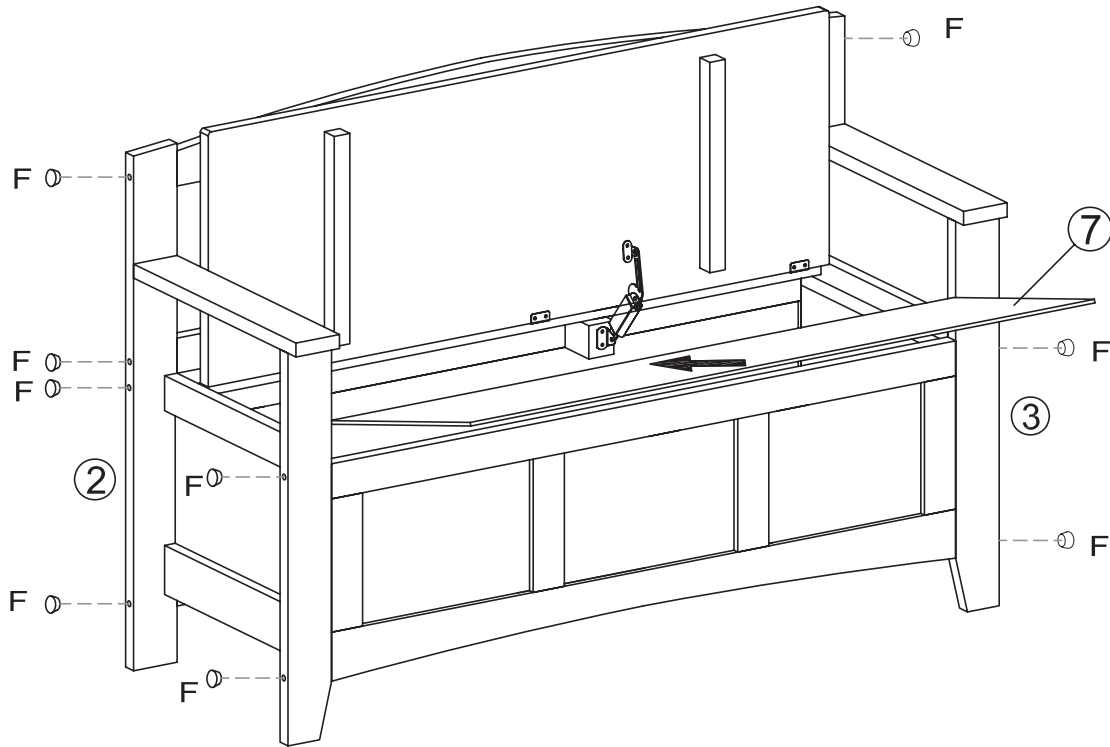
## STEP 6

Carefully prop open Seat Assembly (1). Attach Safety Hinge (C) to Support Back (8) and Seat Assembly (1) using four Wood Screws (B). **FULLY TIGHTEN ALL WOOD SCREWS (B).**



## STEP 7

Cover holes in Left Side Frame (2) and Right Side Frame (3) using six Wood Plugs (F) for each side frame. Carefully place Bottom Panel (7) into assembly.



**ATTENTION: MAKE SURE ALL SCREWS AND BOLTS ARE SECURELY TIGHTENED BEFORE USING THIS PRODUCT.**