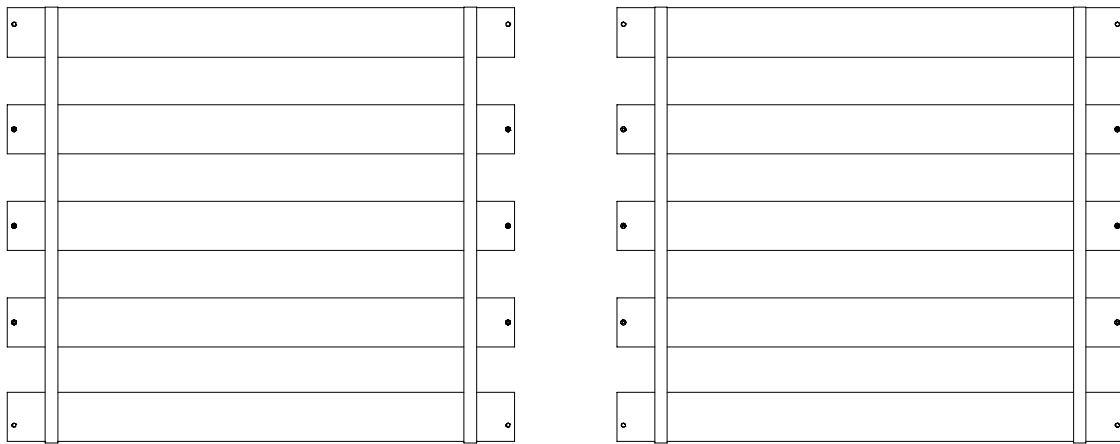


1A Parts in this Box:



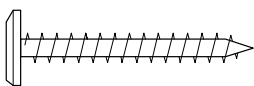
Stretchers **x 2**

1B Slats are Packed Separately in Box 4.



Set of Slats **x 2**

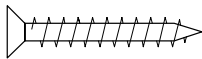
1C Hardware in this box.



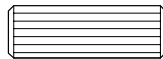
40mm Threaded Wood Bolt
x 8



ThumNut™ **x 8**
Patent No.: US 6,457,923



30mm Wood Screws
x 12

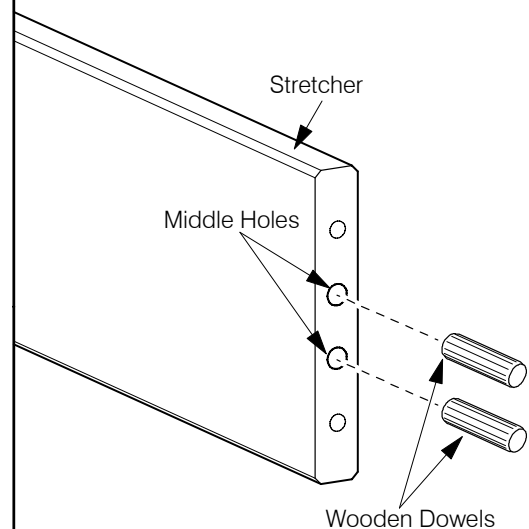


Wooden Dowels
x 8



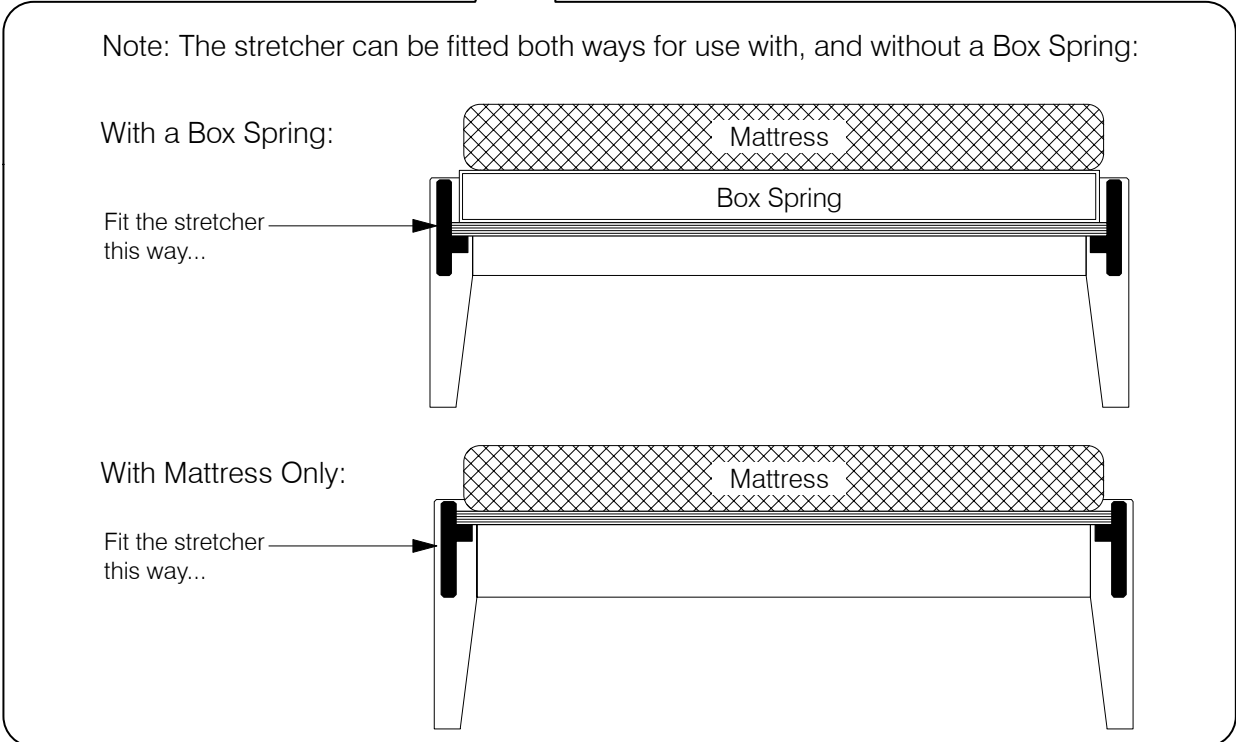
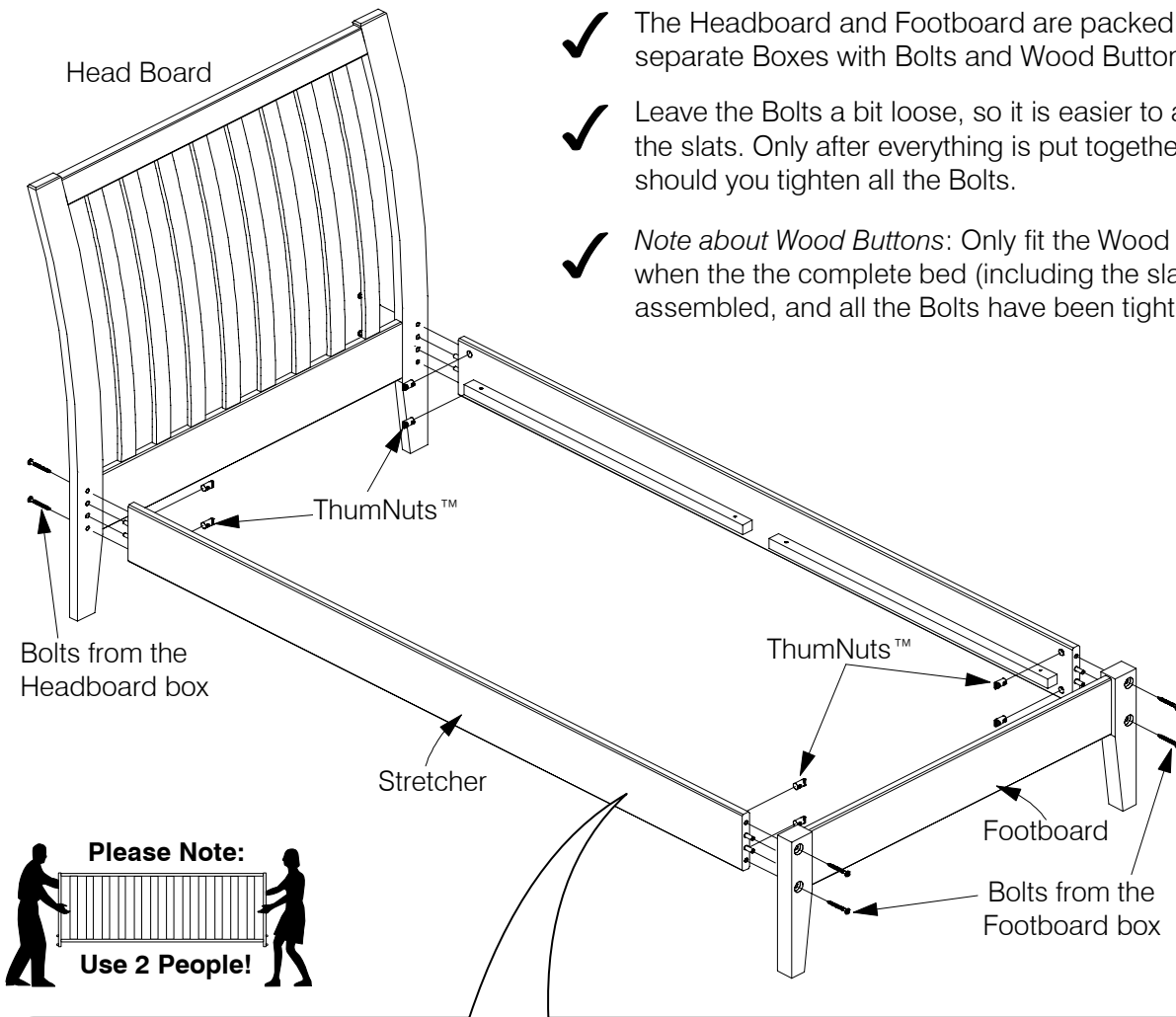
Long Allen Key
x 1

1D Fit Wood Dowels to the Stretchers:

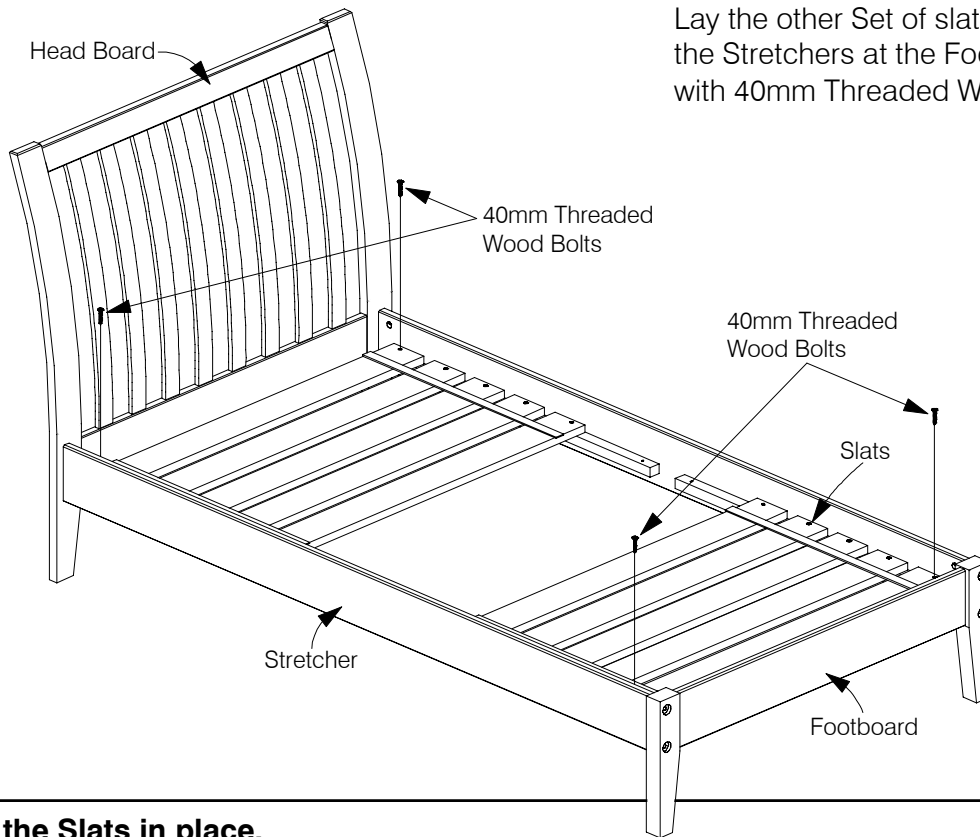


Tap the Wooden Dowels all the way into the Middle holes at the ends of the Stretchers.

2A Attach the Stretchers to the Headboard and Footboard.

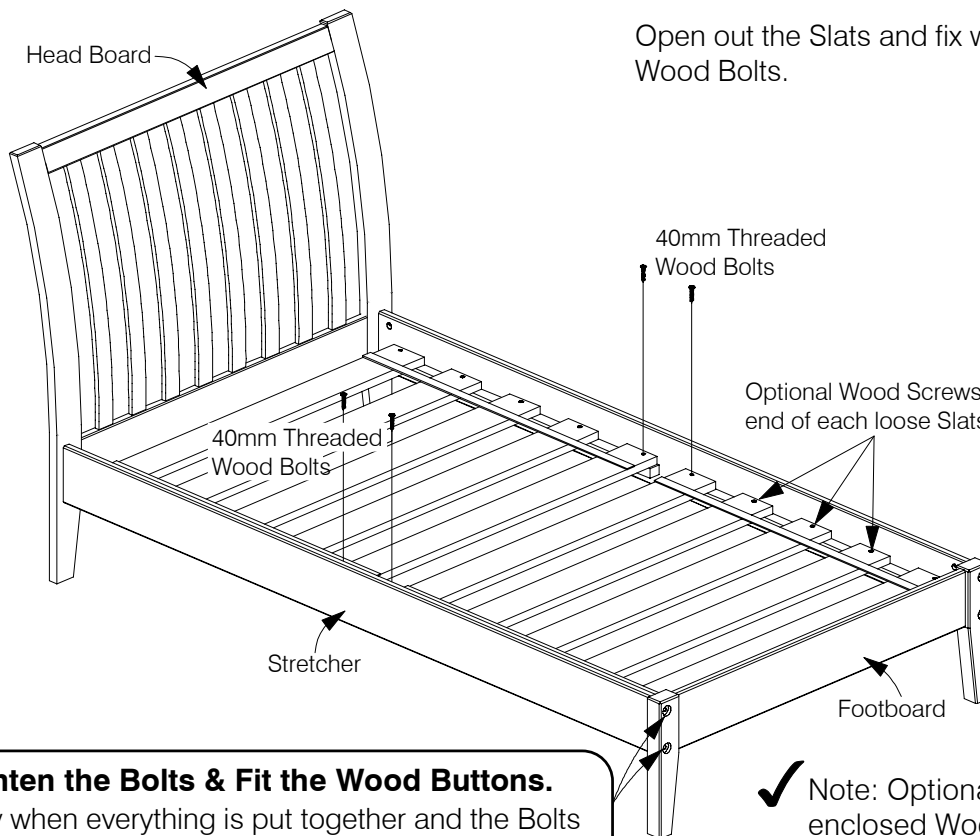


4A Fit the other Set of Slats between the Stretchers.



Lay the other Set of slats out loosely inside the Stretchers at the Footboard end. Fix with 40mm Threaded Wood Bolts.

4B Fix the Slats in place.



Open out the Slats and fix with 40mm Threaded Wood Bolts.

4C Tighten the Bolts & Fit the Wood Buttons.

Only when everything is put together and the Bolts have been tightened, push fit the Wood Buttons into the Bolt holes.

✓ Note: Optionally, you can use the enclosed Wood Screws to fix each slat in place. An electric screwdriver will make this much easier.