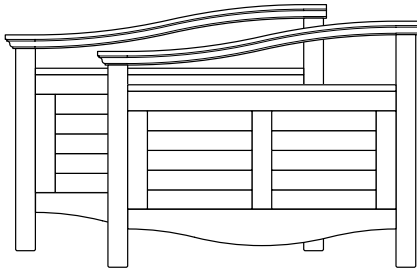
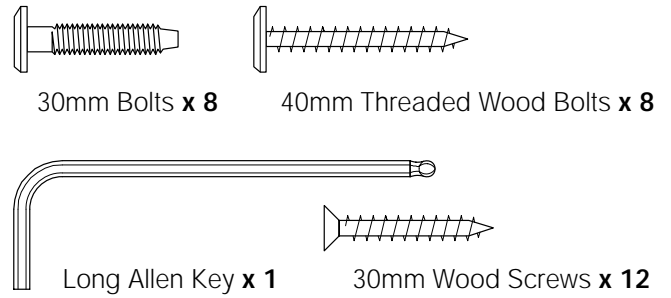


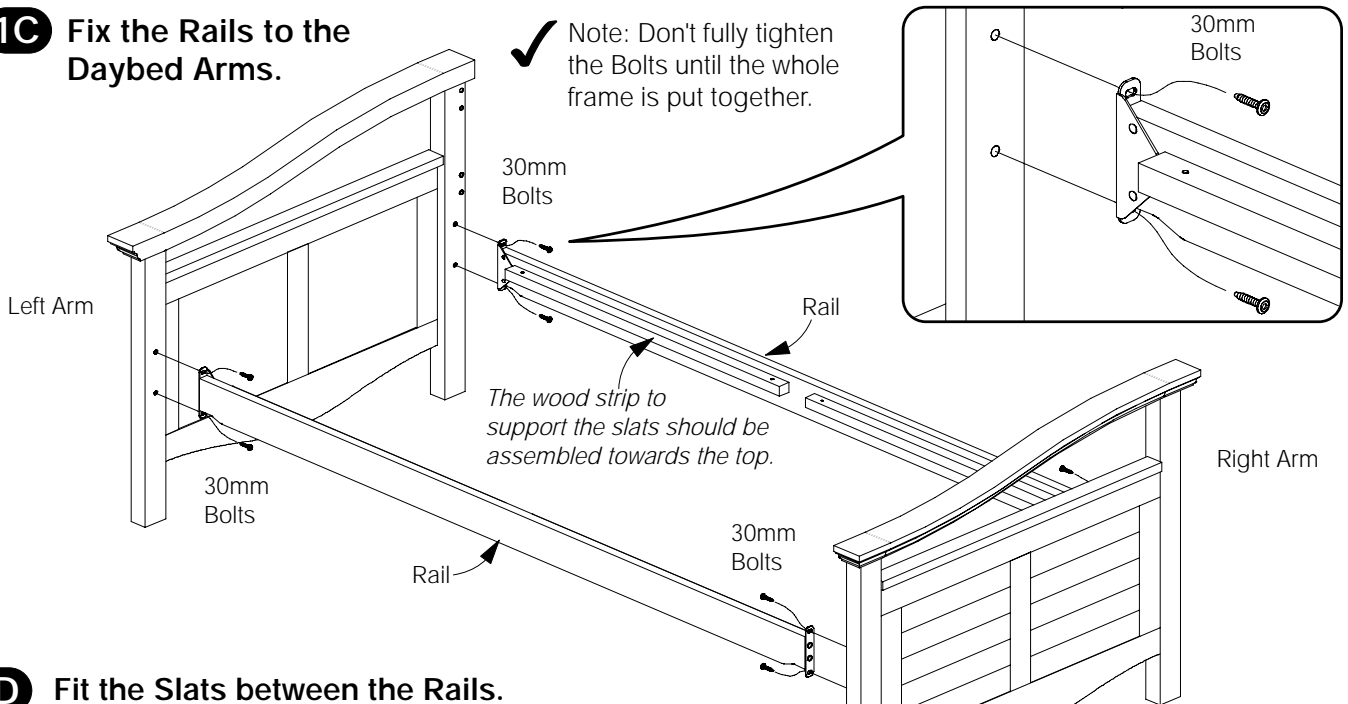
1A One pair of Daybed Arms in this Box:



1B Hardware in this Box.



1C Fix the Rails to the Daybed Arms.



1D Fit the Slats between the Rails.

Lay the slats out between the Rails. The end slats of each set is fixed with 40mm Threaded Wood Bolts.

