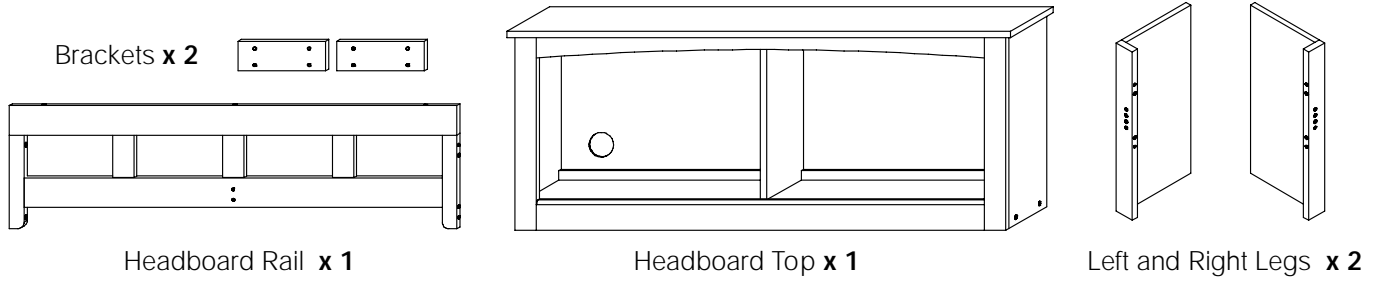


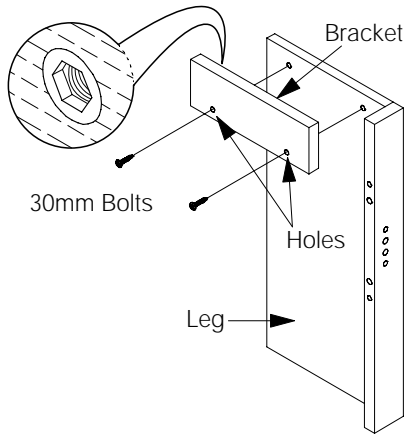
1A Parts in this Box:



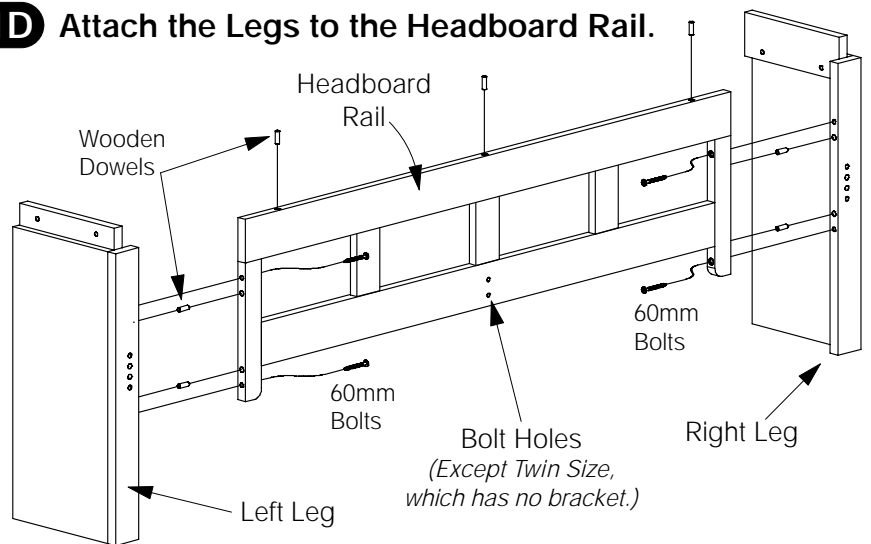
1B Hardware in this Box.



1C Assemble the Brackets to the Legs.

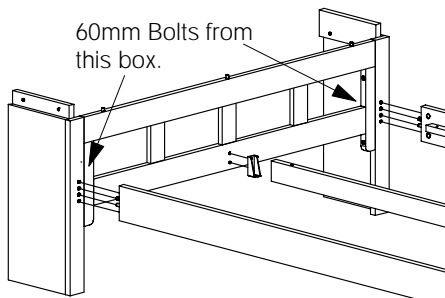


1D Attach the Legs to the Headboard Rail.

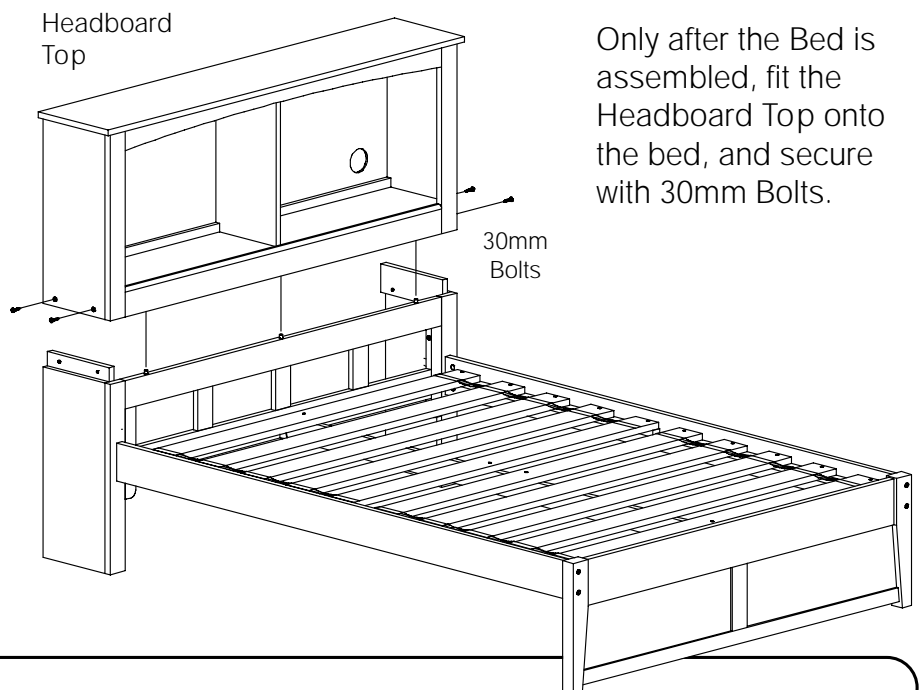


1E Assemble the Rails and Slats.

Please Note!: Instructions to assemble the Rails and Slats are packed in the Rails Box.



1F Lastly, fit the Headboard Top to the Bed.



Only after the Bed is assembled, fit the Headboard Top onto the bed, and secure with 30mm Bolts.